

Jun.1.2024 Copyright 2024 HIROSE ELECTRIC CO., LTD. All Rights Reserved.
In case of consideration for using Automotive equipment / device which demand high reliability, kindly contact our sales window correspondents.

COUNT	DESCRIPTION OF REVISIONS	BY	CHKD	DATE	COUNT	DESCRIPTION OF REVISIONS	BY	CHKD	DATE
△				..	△				..
△				..	△				..
△				..	△				..

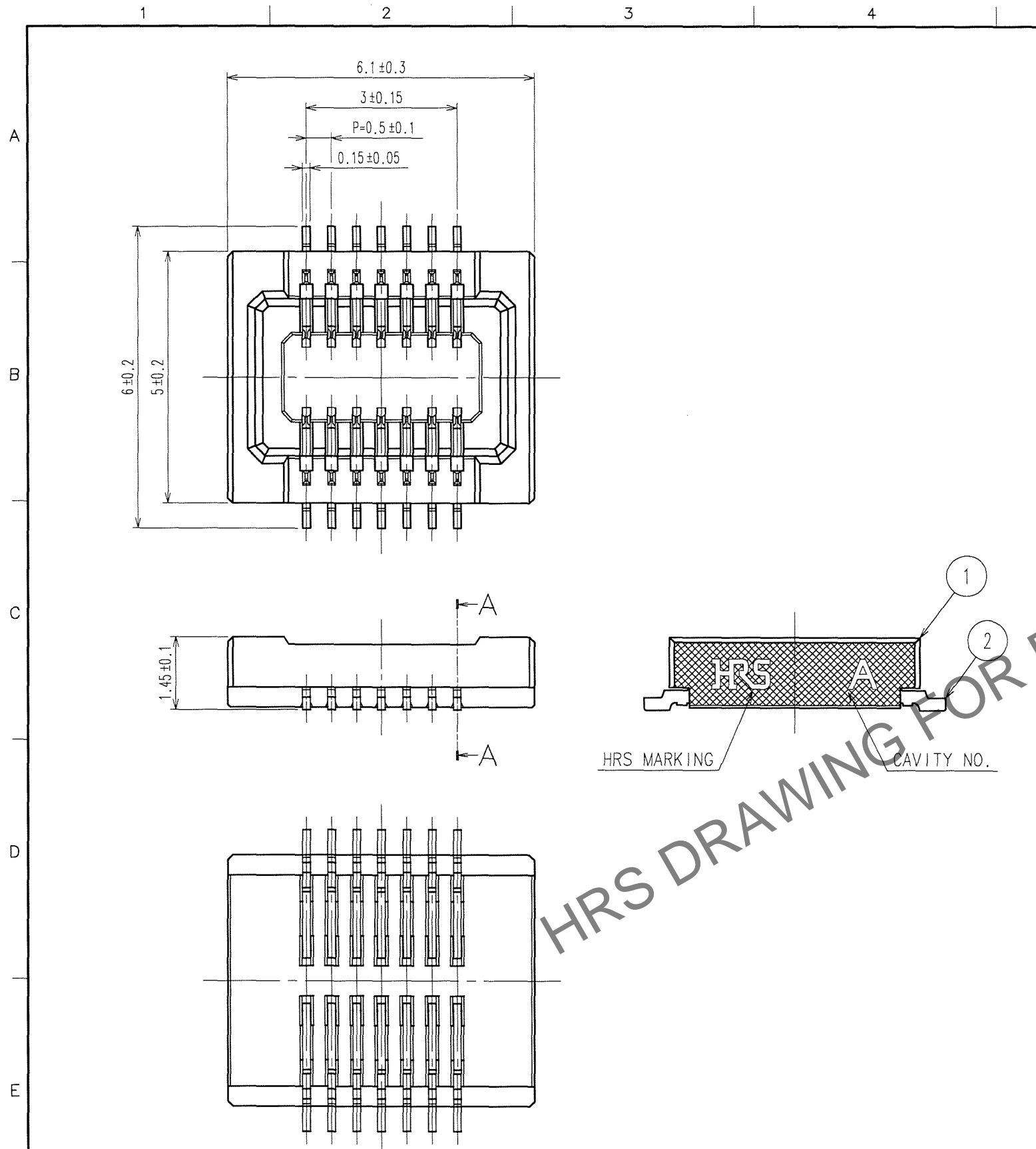


Fig.1 : RECOMMENDED PATTERN

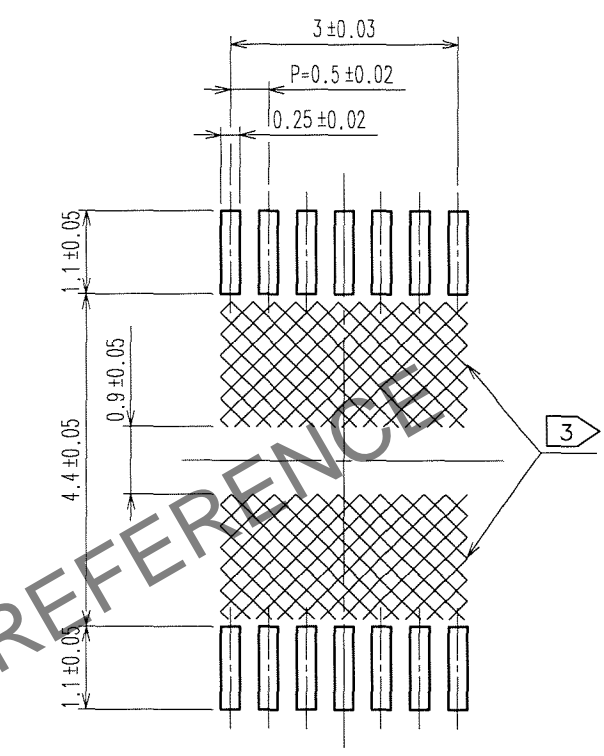


Fig.2 : A-A CROSS SECTION VIEW

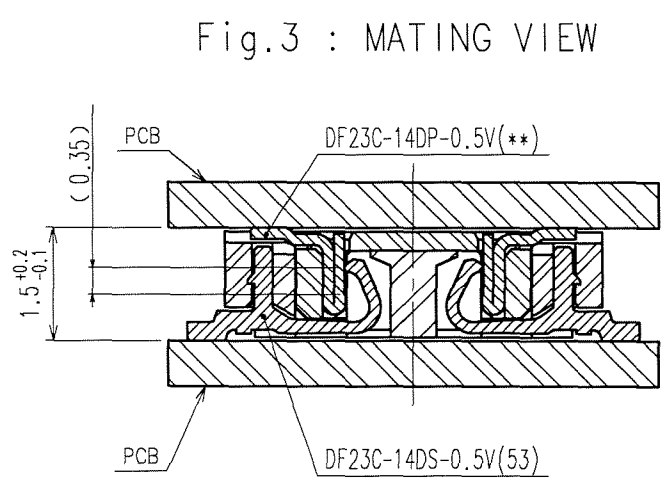
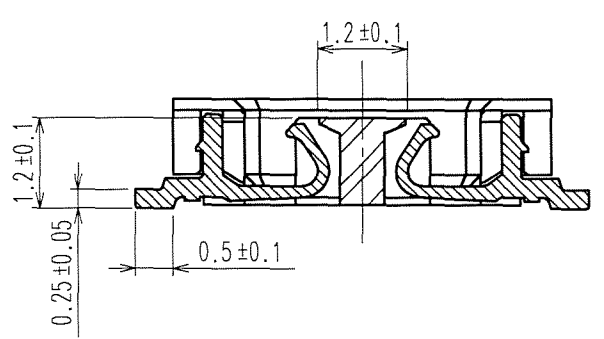


Fig.3 : MATING VIEW



- NOTES
- LEAD CO-PLANARITY SHALL BE 0.1mm MAX.
 - PLATING
 CONTACT AREA : GOLD $0.1\mu\text{m}$ MIN.
 LEAD AREA : GOLD $0.02\mu\text{m}$ MIN.
 UNDER PLATING : NICKEL $1\mu\text{m}$ MIN.
 - WHEN A PART MARKED WITH HAS A PATTERN BUT NO RESIST ON IT, TAKE CARE TO PREVENT THE CONNECTOR FROM TOUCHING IT.
 - THE DIMENSIONS IN PARENTHESES ARE FOR REFERENCE.

NO.	MATERIAL	FINISH, REMARKS	NO.	MATERIAL	FINISH, REMARKS
2	PHOSPHOR BRONZE		4	POLYESTER	CLEAR(COVER TAPE)
1	LCP	BLACK,UL94V-0	3	PS	CLEAR(EMBOSSED CARRIER TAPE)

CODE NO. (OLD)	DRAWN	DESIGNED	CHECKED	APPROVED	RELEASED
	A.Aoyagi	T.Yamanoto	T.Miyagaki	M.Hokamura	
	'07. 6. 6	07. 6. 6	07.06.06	07.06.07	

SCALE	DRAWING NO.	PART NO.
10 : 1	EDC3-163721-02	DF23C-14DS-0.5V(53)
UNITS	mm	CODE NO.
	HRS HIROSE ELECTRIC CO., LTD	CL688-0300-2-53

TO

Jun.1.2024 Copyright 2024 HIROSE ELECTRIC CO., LTD. All Rights Reserved.
In case of consideration for using Automotive equipment / device which demand high reliability, kindly contact our sales window correspondents.

COUNT		DESCRIPTION OF REVISIONS				COUNT		DESCRIPTION OF REVISIONS			
BY	CHKD	DATE	BY	CHKD	DATE	BY	CHKD	DATE	BY	CHKD	DATE
△						△					
△						△					
△						△					

B-B Fig.5 : STYLE AND DIMENSIONS OF REEL(FREE)

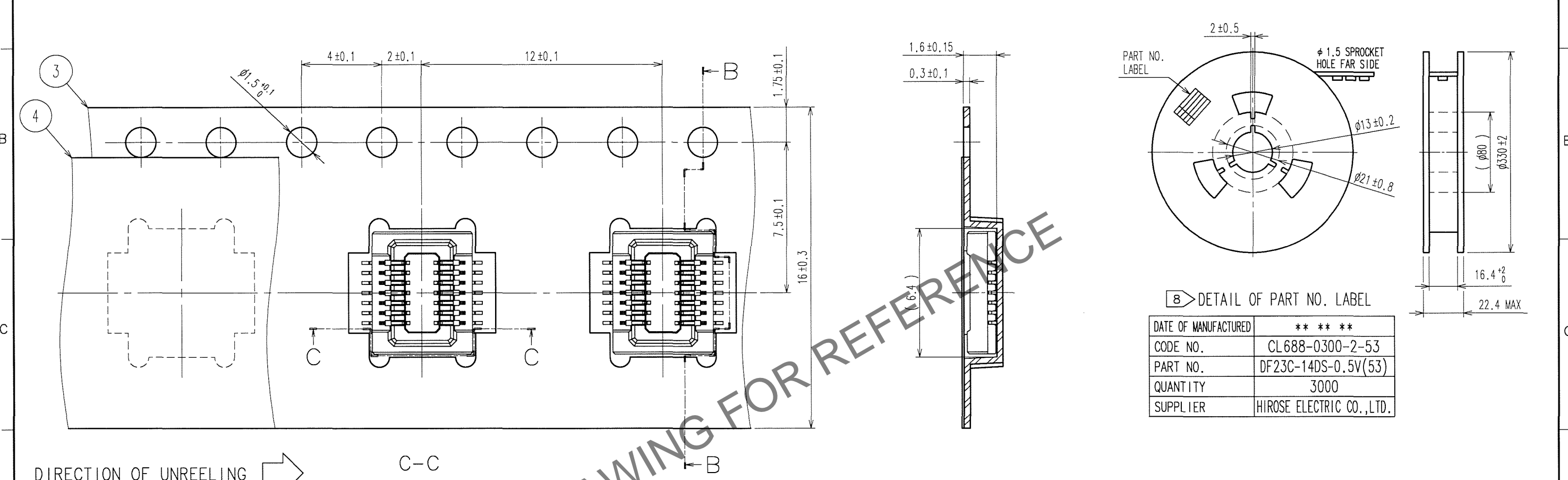


Fig.6 : PACKAGING SPECIFICATION (FREE)

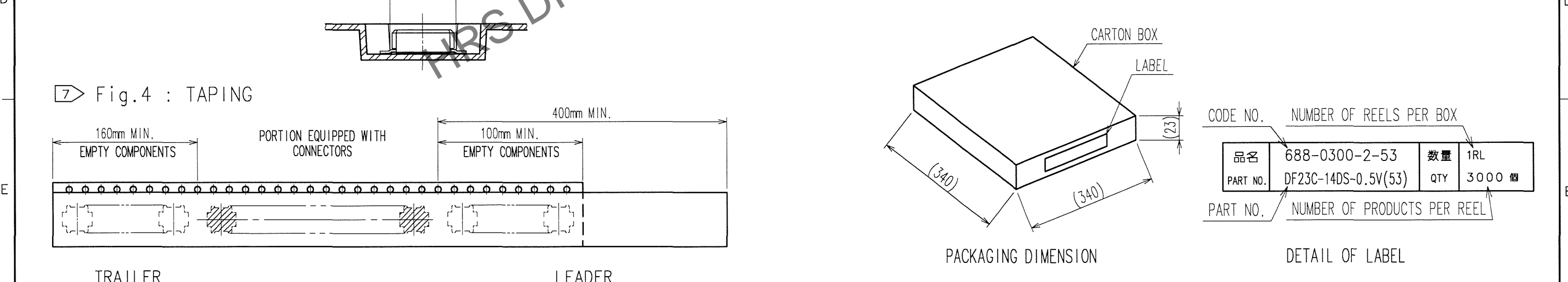
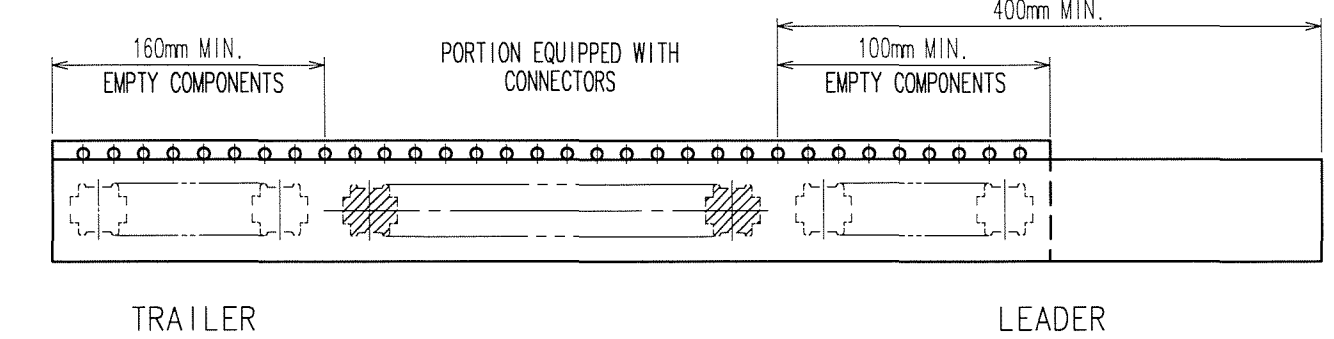


Fig.4 : TAPING



NOTES
 5 PER REEL 3000 CONNECTORS
 6 THE DIMENSIONS IN PARENTHESES ARE FOR REFERENCE
 7 REFER TO JIS C 0806 (PACKAGING OF COMPONENTS FOR AUTOMATIC HANDLING)
 8 DETAIL OF PART NO. LABEL IS WRITTEN IN JAPANESE.

CODE NO. (OLD)	DRAWN	DESIGNED	CHECKED	APPROVED	RELEASED
	A.Aoyagi	J. Yamamoto	T. Mizogaki	M. Nakamura	
	'07. 6. 6	07. 6. 6	07.06.06	07.06.07	
SCALE 5 : 1	DRAWING NO. EDC3-163721-02		PART NO. DF23C-14DS-0.5V(53)		
UNITS mm	HIROSE ELECTRIC CO., LTD		CODE NO. CL688-0300-2-53		2

TO