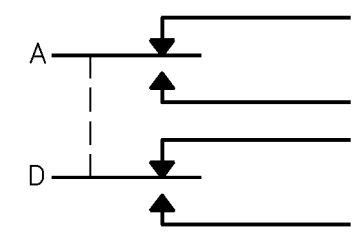


MICRO SWITCH
a Honeywell Division

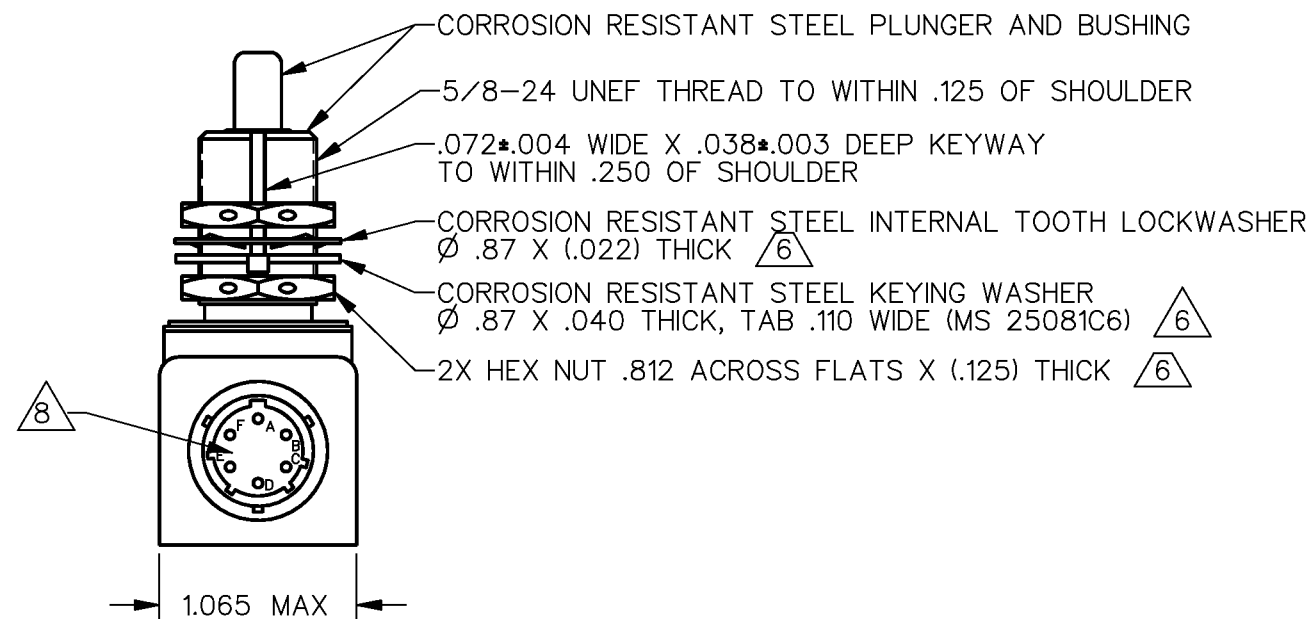
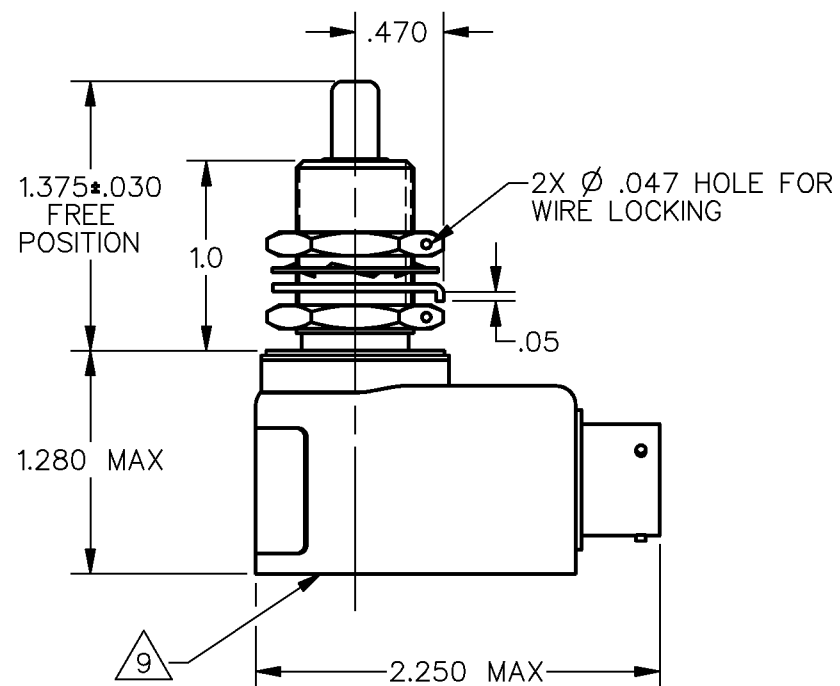
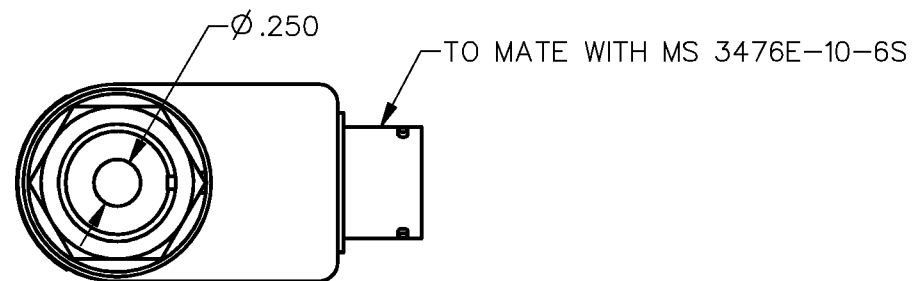
FED. MFG. CODE 91929

SWITCH-ENCLOSED

CATALOG LISTING
1HE44-R



CIRCUIT DIAGRAM



NOTES

- 1 - CORROSION RESISTANT STEEL ENCLOSURE
- 2 - SWITCH SEALED PER MIL-S-8805 SYMBOL 5
- 3 - FOR OPERATION IN TEMPERATURES OF -65°F TO +257°F
- 4 - COINCIDENCE OF OPERATING AND RELEASING POINTS: .010 INCH OF PLUNGER TRAVEL
- 5 - CIRCUIT DIAGRAM AND CATALOG LISTING ARE SHOWN ON NAMEPLATE
- 6 - HARDWARE MAY BE PACKAGED UNASSEMBLED PER MIL-S-8805
- 7 - PLUNGER SEAL MATERIAL E.P. RUBBER
- 8 - INTERFACIAL SEAL
- 9 - LEADS EMBEDDED AND SEALED WITH EPOXY CASTING SEALER

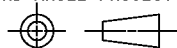
CATALOG LISTING
1HE44-R
 PAGE 1 OF 1
 ISSUE **M**
 9
 CHECK
 RELEASE NO. PR-5613
 REPLACES

REVISIONS
 A CO-81044B
 G J W
 29 SEP 96

DDM/CAD
 DRAWN
 G J W 29 SEP 96
 CHECK

THIS DRAWING COVERS A PROPRIETARY ITEM AND IS THE PROPERTY OF MICRO SWITCH, A DIVISION OF HONEYWELL. THIS DRAWING IS NOT TO BE COPIED OR USED WITHOUT THE APPROVAL OF MICRO SWITCH

THIRD ANGLE PROJECTION



CHARACTERISTICS

OPERATING FORCE — — — — 6-12 LB
 FULL OVERTRAVEL FORCE — — — — 30 LB MAX
 RELEASE FORCE — — — — — 4 LB MIN
 PRETRAVEL — — — — — .040 MAX
 DIFFERENTIAL TRAVEL — — — — .020 MAX
 OVERTRAVEL — — — — — .250 MIN

ELECTRICAL DATA

CONTACT ARRANGEMENT 2X S P D T		
LOAD	28 VDC	
	SEA LEVEL	100,000 FT
RES	5	5
IND	3	3
MOTOR	4	4

SCALE FULL

DO NOT SCALE PRINT

UNLESS OTHERWISE SPECIFIED TOLERANCES ARE

ONE PLACE	(.0)	±.030
TWO PLACE	(.00)	±.015
THREE PLACE	(.000)	±.005
ANGLES		±

WEIGHT 6 OZ MAX

ANSI Y14.5M-1982 APPLIES

Mouser Electronics

Authorized Distributor

Click to View Pricing, Inventory, Delivery & Lifecycle Information:

[Honeywell:](#)

[1HE44-R](#)