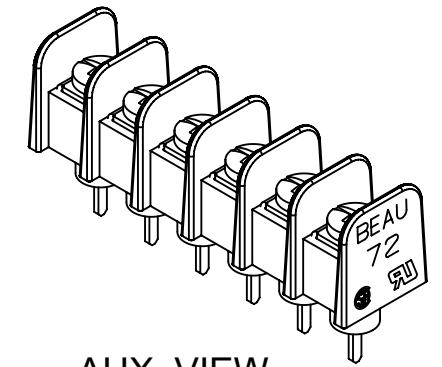
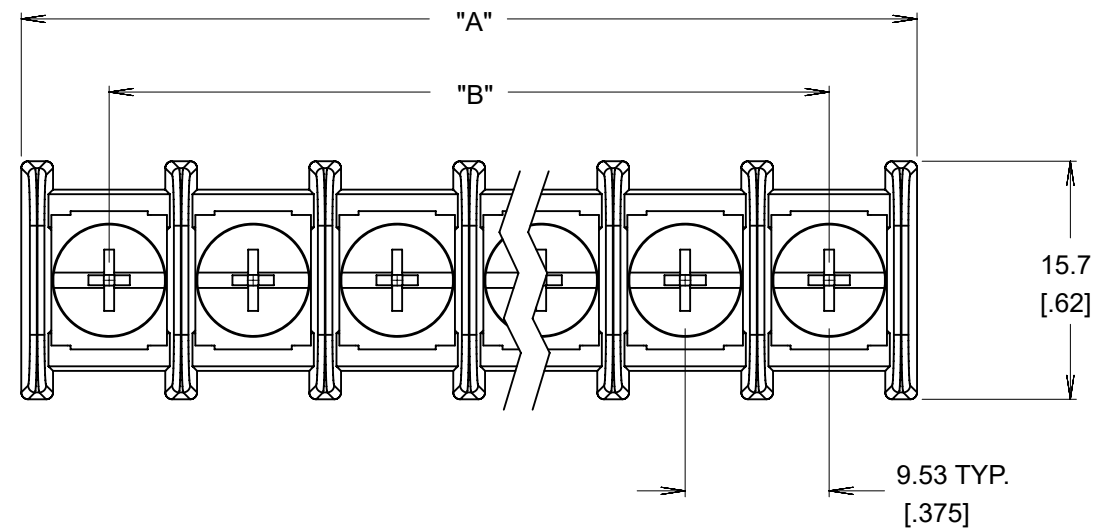
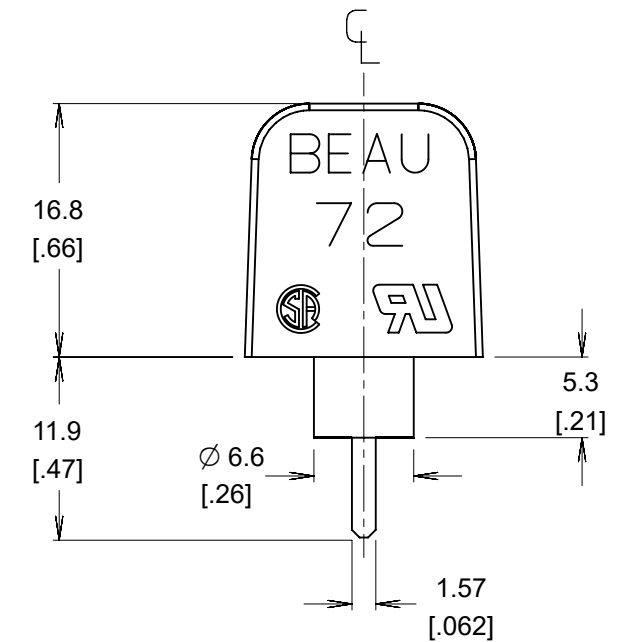
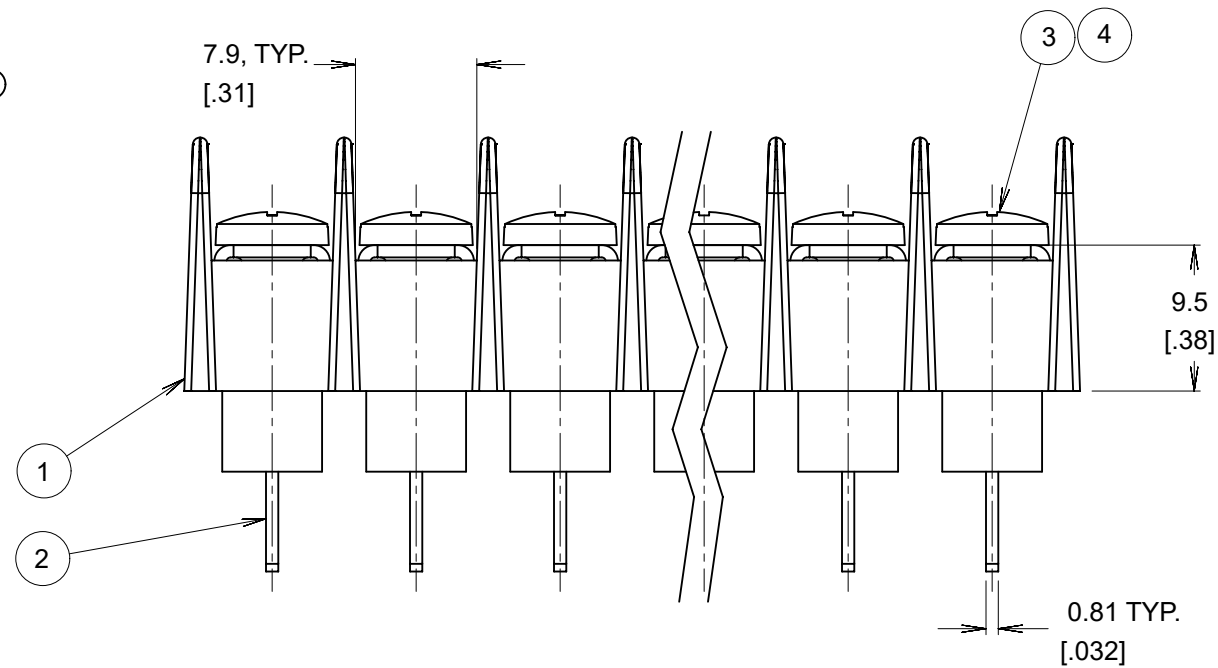
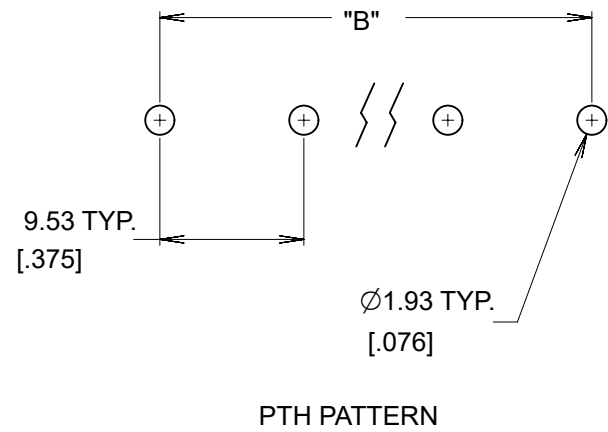


REF. -50 OPT. SCREW
(WHERE APPLICABLE)



AUX. VIEW
SCALE 1:1
(6 CIRCUIT SHOWN)



NOTES:

1. MATERIAL: SEE TABLE
2. FINISH: SEE TABLE
3. INCH DIMS ARE SHOWN IN BRACKETS [XXX].
4. "XX" REFERS TO THE QUANTITY OF CIRCUITS.
5. ALL COMPONENTS ARE ROHS COMPLIANT.

5	XX	SCREW&WASHER, #6-32 PH/SL (-50 OPT)	STEEL	ZN, CLEAR CHROMATE
4	XX	SCREW, #6-32 PH/SL (-49 OPT)	BRASS	NICKEL PLATE
3	XX	SCREW, #6-32 PH/SL (STANDARD)	STEEL	ZN, CLEAR CHROMATE
2	XX	TERMINAL, WIRE WRAP	BRASS	TIN PLATE
1	1	INSULATOR	PBT, GF	BLACK
ITEM	QTY.	DESCRIPTION	MATERIAL	FINISH

THIS DRAWING CONTAINS INFORMATION THAT IS PROPRIETARY TO MOLEX ELECTRONIC TECHNOLOGIES, LLC AND SHOULD NOT BE USED WITHOUT WRITTEN PERMISSION									
DIMENSION UNITS MM/IN		SCALE 2:1		CURRENT REV DESC: REMOVED OBSOLETE PART NUMBERS AS PER PCN#515181					
GENERAL TOLERANCES (UNLESS SPECIFIED)				<p>molex</p> <p>9.53 [.375"] SR BTS, PC INSUL ASSY, NO MTG.</p> <p>PRODUCT CUSTOMER DRAWING</p> <p>DOCUMENT NUMBER: SD-38720-009 DOC TYPE: PSD DOC PART: 001 REVISION: A1</p> <p>MATERIAL NUMBER: SEE TABLE CUSTOMER: GENERAL MARKET SHEET NUMBER: 1 OF 2</p>					
4 PLACES ±		±							
3 PLACES ±		± 0.005							
2 PLACES ±		± 0.13 ± 0.01							
1 PLACE ±		± 0.3 ±							
ANGULAR TOL ± 2.0°				THIRD ANGLE PROJECTION		DRAWING		SERIES	
DRAFT WHERE APPLICABLE MUST REMAIN WITHIN DIMENSIONS						B-SIZE		38720	

F

F

E

E

D

D

C

C


B

B

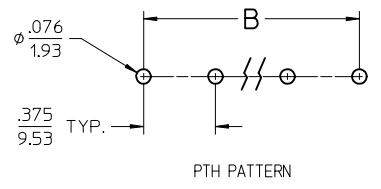
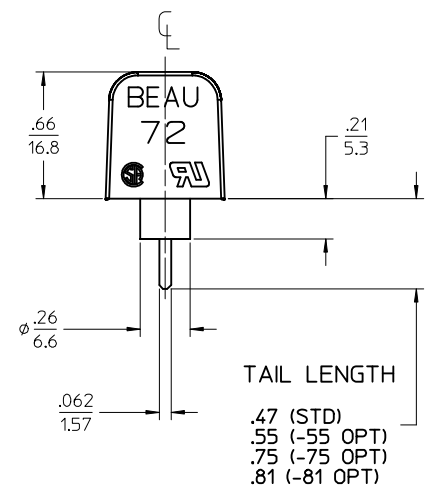
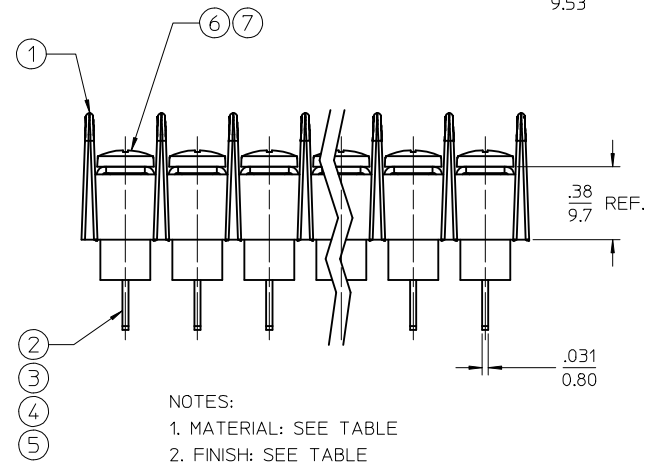
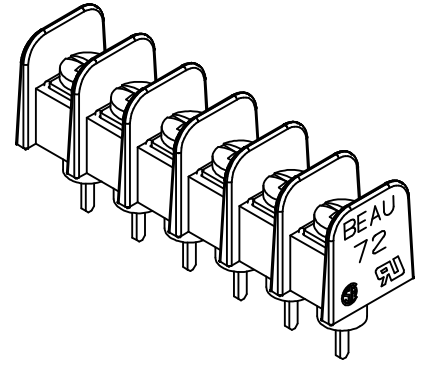
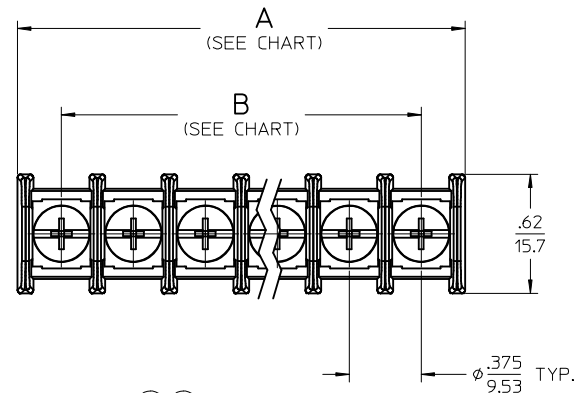
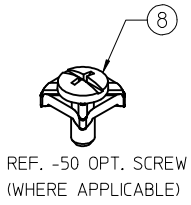
A

A

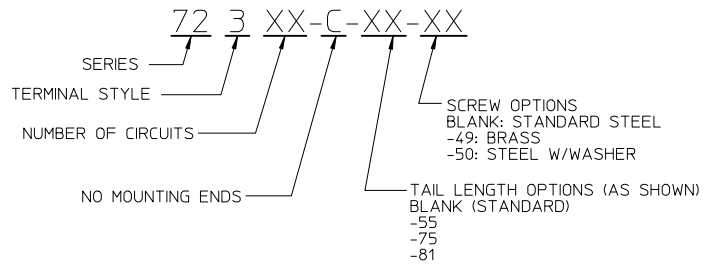
# OF CIRCUITS "XX"	DIM. "A"		DIM. "B"		ASSEMBLY MATERIAL NO. (-C OPT)	ASSEMBLY MATERIAL NO. (-C-49 OPT)	ASSEMBLY MATERIAL NO. (-C-50 OPT)
	mm	in	mm	in			
3	30.6	1.21	19.05	0.75	---	387205103	---
4	40.1	1.58	28.58	1.125	---	387205104	---
8	78.2	3.08	66.68	2.625	---	387205108	---
11	106.8	4.21	95.25	3.75	---	387205111	387205411
12	116.3	4.58	104.78	4.125	---	387205112	---
13	125.9	4.96	114.3	4.5	---	387205113	387205413
14	135.4	5.33	123.83	4.875	---	387205114	387205414
15	144.9	5.71	133.35	5.25	---	387205115	387205415
16	154.4	6.08	142.88	5.625	---	387205116	387205416
17	164	6.46	152.4	6	---	387205117	---
18	173.5	6.83	161.93	6.375	---	387205118	387205418
19	183	7.21	171.45	6.75	387204819	387205119	387205419
20	192.5	7.58	180.98	7.125	---	387205120	387205420
21	202.1	7.96	190.5	7.5	387204821	387205121	387205421
22	211.6	8.33	200.03	7.875	387204822	387205122	387205422
23	221.1	8.71	209.55	8.25	387204823	387205123	387205423
24	230.6	9.08	219.08	8.625	387204824	387205124	387205424
25	240.2	9.46	228.6	9	---	387205125	387205425
26	249.7	9.83	238.13	9.375	387204826	387205126	387205426

THIS DRAWING CONTAINS INFORMATION THAT IS PROPRIETARY TO MOLEX ELECTRONIC TECHNOLOGIES, LLC AND SHOULD NOT BE USED WITHOUT WRITTEN PERMISSION											
DIMENSION UNITS MM/IN		SCALE 2:1		CURRENT REV DESC: REMOVED OBSOLETE PART NUMBERS AS PER PCN#515181				 <p>9.53 [.375"] SR BTS, PC INSUL ASSY, NO MTG.</p>			
GENERAL TOLERANCES (UNLESS SPECIFIED)				EC NO: 793824							
		MM		INCH		DRWN: MADHAM5 2024/06/06		DOC TYPE		DOC PART	
4 PLACES ±		±		±		CHK'D: GGA 2024/08/14		PSD		001	
3 PLACES ±		± 0.005		± 0.01		APPR: GGA 2024/08/14		REVISION		A1	
2 PLACES ±		± 0.13		± 0.01		INITIAL REVISION:		DOCUMENT NUMBER		SD-38720-009	
1 PLACE ±		± 0.3		±		DRWN: C. YORK 2006/06/02		CUSTOMER		GENERAL MARKET	
0 PLACES ±		±		±		APPR: R. DEROSS 2006/06/02		MATERIAL NUMBER		SEE TABLE	
ANGULAR TOL ± 2.0°		±		±		THIRD ANGLE PROJECTION		SERIES		38720	
DRAFT WHERE APPLICABLE MUST REMAIN WITHIN DIMENSIONS				DRAWING		B-SIZE		SHEET NUMBER		2 OF 2	

	NUMBER OF CIRCUITS "XX"	DIM. A		DIM. B	
		IN	MM	IN	MM
02	.83	21.1	.375	9.53	
03	1.21	30.7	.750	19.05	
04	1.58	40.1	1.125	28.58	
05	1.96	49.8	1.500	38.10	
06	2.33	59.2	1.875	47.63	
07	2.71	68.8	2.250	57.15	
08	3.08	78.2	2.625	66.68	
09	3.46	87.8	3.000	76.20	
10	3.83	97.3	3.375	85.73	
11	4.21	106.9	3.750	95.25	
12	4.58	116.3	4.125	104.78	
13	4.96	126.0	4.500	114.30	
14	5.33	135.4	4.875	123.83	
15	5.71	145.0	5.250	133.35	
16	6.08	154.4	5.625	142.88	
17	6.46	164.0	6.000	152.40	
18	6.84	173.7	6.375	161.93	
19	7.21	183.1	6.750	171.45	
20	7.58	192.5	7.125	180.98	
21	7.96	202.2	7.500	190.50	
22	8.33	211.6	7.875	200.03	
23	8.71	221.2	8.250	209.55	
24	9.08	230.6	8.625	219.08	
25	9.46	240.3	9.000	228.60	
26	9.83	250.0	9.375	238.13	



ENGINEERING NUMBER LEGEND (OLD MATERIAL NO.)



- NOTES:**
- MATERIAL: SEE TABLE
 - FINISH: SEE TABLE
 - ELECTRICAL SPECS:
MAX VOLTAGE: 300V (BINDING HD, 14 AWG)
MAX CURRENT: 15A

MAX VOLTAGE: 300V (-50 OPT, 12 AWG)
MAX CURRENT: 25A
 - REFER TO SD-38120-001 FOR IMPRINT OPTION 10A & 11A
 - PRODUCT SPEC: PS-38710-001
 - SCREW TIGHTENING TORQUE: 12 IN LBS. (MAX)
 - WIRE STRIP LENGTH: .31 (7.8mm)
 - PART IS RoHS COMPLIANT

REF. THIS DRAWING SUPERSEDES SD-38720-009 REV-A (ME10 DOC)

8	XX	SCREW & WASHER, #6-32 PH/SL (-50 OPT)	STEEL	CLEAR ZN CHROMATE
7	XX	SCREW, #6-32 PH/SL, -49 OPT	BRASS	NICKEL PLATED
6	XX	SCREW, #6-32 PH/SL,	STEEL	CLEAR ZN CHROMATE
5	XX	TERMINAL, WIRE WRAP (-81 OPT)	BRASS	TIN PLATED
4	XX	TERMINAL, WIRE WRAP (-75 OPT)	BRASS	TIN PLATED
3	XX	TERMINAL, WIRE WRAP (-55 OPT)	BRASS	TIN PLATED
2	XX	TERMINAL, WIRE WRAP (.47 STD)	BRASS	TIN PLATED
1	1	INSULATOR	PBT	BLACK
ITEM	QTY.	DESCRIPTION	MATERIAL	FINISH

REDRAWN EC NO: JFG2016-1570 DRAWN: STONE 2016/05/20 CHKD: M ZIELINSKI 2016/05/24 APPR: BRUPERT 2016/05/26	QUALITY SYMBOLS $\nabla = 0$ $\nabla = 0$	GENERAL TOLERANCES (UNLESS SPECIFIED)		DIMENSION STYLE IN/MM		SCALE 2:1	DESIGN UNITS INCH	THIRD ANGLE PROJECTION
		4 PLACES \pm --- \pm --- 3 PLACES \pm --- $\pm .005$ 2 PLACES ± 0.13 $\pm .01$ 1 PLACE ± 0.3 \pm --- 0 PLACE \pm --- \pm ---	mm INCH	DRAWN BY RSTONE 2016/05/20	DATE	TITLE SR, BTS, PC, INSULATED NO MOUNTING ENDS .375 (9.53MM)	SHEET NO. 1 OF 1	
		ANGULAR \pm --- °		CHECKED BY M ZIELINSKI 2016/05/24	DATE	molex DOCUMENT NO. SD-38720-015		
		DRAFT WHERE APPLICABLE MUST REMAIN WITHIN DIMENSIONS		APPROVED BY BRUPERT 2016/05/26	DATE			

THIS DRAWING CONTAINS INFORMATION THAT IS PROPRIETARY TO MOLEX INCORPORATED AND SHOULD NOT BE USED WITHOUT WRITTEN PERMISSION