

DS9616H

Triple Line Driver

General Description

The DS9616H is a triple line driver which meets the electrical interface specifications of EIA RS-232-C and CCITT V.24 and/or MIL-STD-188C. Each driver converts TTL/DTL logic levels to EIA/CCITT and/or MIL-STD-188C logic levels for transmission between data terminal equipment and data communications equipment. The output slew rate is internally limited and can be lowered by an external capacitor; all output currents are short circuit limited. The outputs are protected against RS-232-C fault conditions. A logic HIGH on the inhibit terminal interrupts signal transfer and forces the output to a V_{OL} (EIA/CCITT MARK) state.

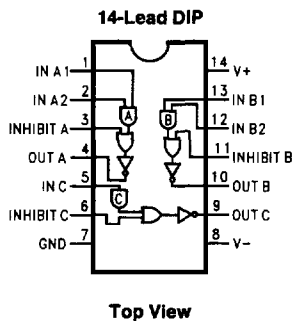
For the complementary function, see the DS9627MJ Dual EIA RS-232-C and MIL-STD-188C Line Receiver.

Features

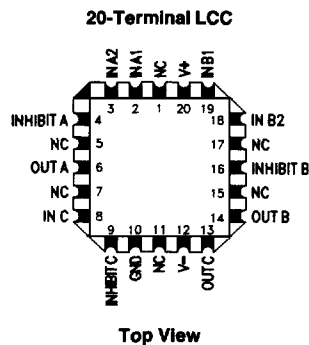
- Internal slew rate limiting
- Meets EIA RS-232-C and CCITT V.24 and/or MIL-STD-188C
- Logic true inhibit function
- Output short circuit current-limiting
- Output voltage levels independent of supply voltages

2

Connection Diagrams



Order Number DS9616HMJ/883
See NS Package Number J14A



Order Number DS9616HME/883
See NS Package Number E20A

For Complete Military 883 Specifications,
see RETS Data Sheet.

Absolute Maximum Ratings

If Military/Aerospace specified devices are required, please contact the National Semiconductor Sales Office/Distributors for availability and specifications.

Storage Temperature Range	-65°C to +175°C
Operating Temperature Range	-55°C to +125°C
Lead Temperature (Soldering, 60 seconds)	300°C
Internal Power Dissipation (Note 4) DIP and CCP	400 mW

Supply Voltage	±15V
Input or Inhibit Voltage	-1.5V to +6.0V
Output Signal Voltage	±15V

Note 1: V_{IH} and V_{IL} are guaranteed by the V_{OH} and V_{OL} tests.

Note 2: All input and supply leads are grounded.

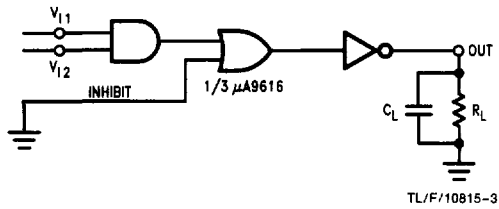
Note 3: An external capacitor may be needed to meet signal wave shaping requirements of MIL-STD-188C at the applicable modulation rate. No external capacitor is needed to meet RS-232-C.

Note 4: Rating applies to ambient temperatures up to 125°C. Above 125°C ambient, derate linearly at 120°C/W.

DS9616HM

Electrical Characteristics $\pm 10.8V \leq V_{CC} \leq \pm 13.2V$, $R_L = 3.0 k\Omega$, unless otherwise specified

Symbol	Characteristic	Condition	Min	Max	Unit
V_{OH}	Output Voltage HIGH	V_{I1} and/or $V_{I2} = V_{INHIBIT} = 0.8V$	5.0	7.0	V
V_{OL}	Output Voltage LOW	$V_{I1} = V_{I2} = V_{INHIBIT} = 2.0V$	-7.0	-5.0	V
V_{OH} to V_{OL}	Output Voltage HIGH to Output Voltage LOW Magnitude Matching Error			±10	%
I_{OS+}	Positive Output Short Circuit Current	$R_L = 0\Omega$, V_{I1} and/or $V_{I2} = V_{INHIBIT} = 0.8V$	-45	-12	mA
I_{OS-}	Negative Output Short Circuit Current	$R_L = 0\Omega$, $V_{I1} = V_{I2} = V_{INHIBIT} = 2.0V$	12	60	mA
V_{IH}	Input Voltage HIGH (Note 1)		2.0		V
V_{IL}	Input Voltage LOW (Note 1)			0.8	V
I_{IH}	Input Current HIGH	$V_{I1} = V_{I2} = 2.4V$		40	μA
		$V_{I1} = V_{I2} = 5.5V$		1.0	mA
I_{IL}	Input Current LOW	$V_{I1} = V_{I2} = 0.4V$	-1.6		mA
I+	Positive Supply Current	$V_{I1} = V_{I2} = V_{INHIBIT} = 0.8V$		25	mA
		$V_{I1} = V_{I2} = V_{INHIBIT} = 2.0V$		15	mA
I-	Negative Supply Current	$V_{I1} = V_{I2} = V_{INHIBIT} = 0.8V$	-1.0		mA
		$V_{I1} = V_{I2} = V_{INHIBIT} = 2.0V$	-25		mA
R_O	Output Resistance, Power Off (Note 2)	$-2.0V \leq V_O \leq 0.5V$	300		Ω
SR+	Positive Slew Rate (Note 3)	$C_L = 2500 pF$, $R_L = 3.0 k\Omega$ (See Figure 1)	4.0	30	V/ μs
			4.0	30	V/ μs
SR-	Negative Slew Rate (Note 3)	$C_L = 2500 pF$, $R_L = 3.0 k\Omega$ (See Figure 1)	-30	-4.0	V/ μs
			-30	-4.0	V/ μs



Omit V₁₂ for channel "C".
 Input: FR = 50 kHz
 Pulse Width = 10 μs
 t_r = t_f = 10 ± 5.0 ns

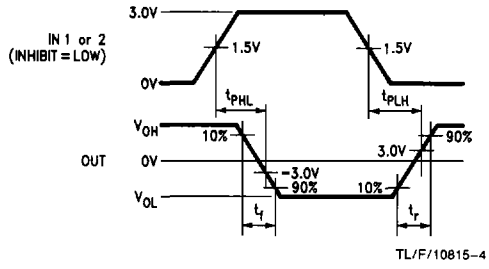
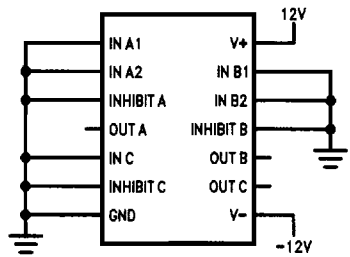


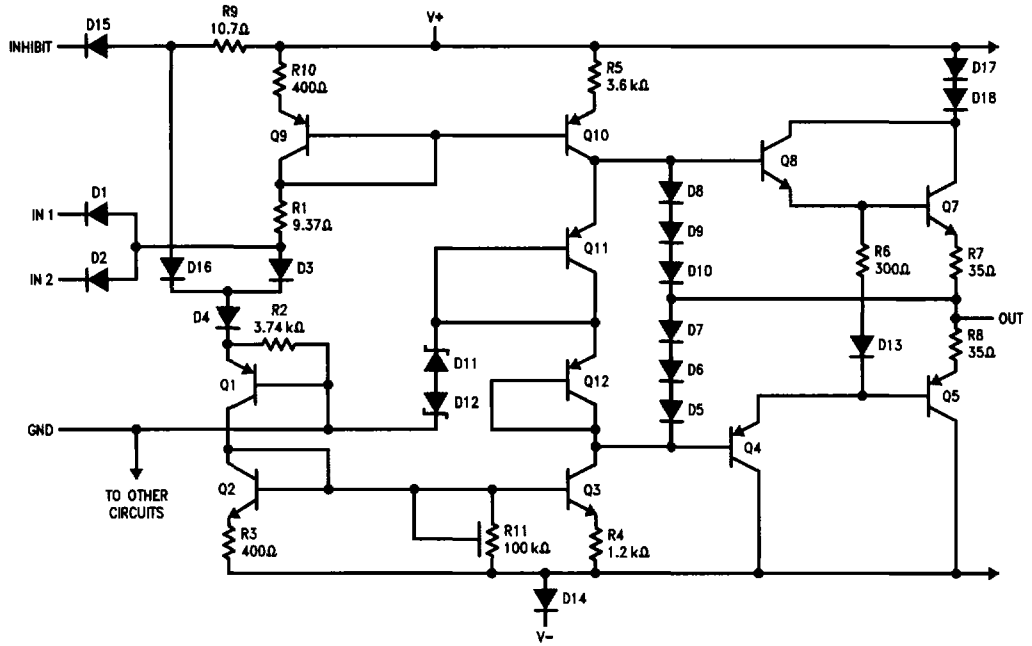
FIGURE 1. Switching Time Test Circuit and Waveforms

Primary Burn-In Circuit



TL/F/10815-5

Equivalent Circuit (1/3 of circuit)



TL/F/10815-3