



Switches > Switch Seals & Accessories > Protective Cover, Push Button Switch, Round Style



Switch Accessory Type: **Protective Cover**

Product Shape: **Round**

[All Protective Cover, Push Button Switch, Round Style \(1\)](#)

Features

Product Type Features

Switch Accessory Type	Protective Cover
Product Shape	Round

Product Compliance

[For compliance documentation, visit the product page on TE.com>](#)


EU RoHS Directive 2011/65/EU	Compliant
EU ELV Directive 2000/53/EC	Compliant
China RoHS 2 Directive MIIT Order No 32, 2016	No Restricted Materials Above Threshold
EU REACH Regulation (EC) No. 1907/2006	Current ECHA Candidate List: JUNE 2024 (241) Candidate List Declared Against: JUNE 2024 (241) Does not contain REACH SVHC
Halogen Content	Low Halogen - Br, Cl, F, I < 900 ppm per homogenous material. Also BFR/CFR/PVC Free
Solder Process Capability	Not reviewed for solder process capability



Product Compliance Disclaimer


This information is provided based on reasonable inquiry of our suppliers and represents our current actual knowledge based on the information they provided. This information is subject to change. The part numbers that TE has identified as EU RoHS compliant have a maximum concentration of 0.1% by weight in homogenous materials for lead, hexavalent chromium, mercury, PBB, PBDE, DBP, BBP, DEHP, DIBP, and 0.01% for cadmium, or qualify for an exemption to these limits as defined in the Annexes of Directive 2011/65/EU (RoHS2). Finished electrical and electronic equipment products will be CE marked as required by Directive 2011/65/EU. Components may not be CE marked. Additionally, the part numbers that TE has identified as EU ELV compliant have a maximum concentration of 0.1% by weight in homogenous materials for lead, hexavalent chromium, and mercury, and 0.01% for cadmium, or qualify for an exemption to these limits as defined in the Annexes of Directive 2000/53/EC (ELV). Regarding the REACH Regulation, the information TE provides on SVHC in articles for this part number is based on the latest European Chemicals Agency (ECHA) 'Guidance on requirements for substances in articles' posted at this URL: <https://echa.europa.eu/guidance-documents/guidance-on-reach>

Compatible Parts




TE Part # CAT-AL8-KSEESS
Emergency Stop Switch, 1 Actuator, Flush, Threaded Bushing

Also in the Series | KISSLING Series ES



Push Button Switches(32)



Switch Seals & Accessories(1)

Customers Also Bought



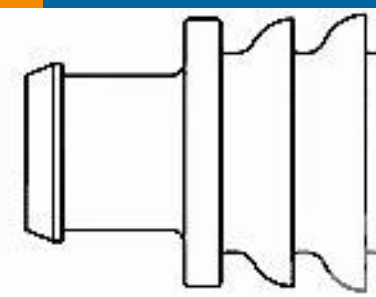
TE Part #DRBF-2A
FLANGE, MOUNT, 60/48P, BLK, A



TE Part #K1022530
Switch guard 07-0-0-01



TE Part #K1137217
Battery Disconnect, 500A, 2 Pole



TE Part #282081-1
RUBBER PLUG



Documents

Product Drawings

[Actuation Protection 24-63-029 BX](#)

English

CAD Files

[3D PDF](#)

3D

Customer View Model

[ENG_CVM_CVM_24-63-029_A.2d_dxf.zip](#)

English

Customer View Model

[ENG_CVM_CVM_24-63-029_A.3d_igs.zip](#)

English

Customer View Model

[ENG_CVM_CVM_24-63-029_A.3d_stp.zip](#)

English

By downloading the CAD file I accept and agree to the [Terms and Conditions](#) of use.

Datasheets & Catalog Pages

[KISSLING SAFETY SWITCH Series 24](#)

English