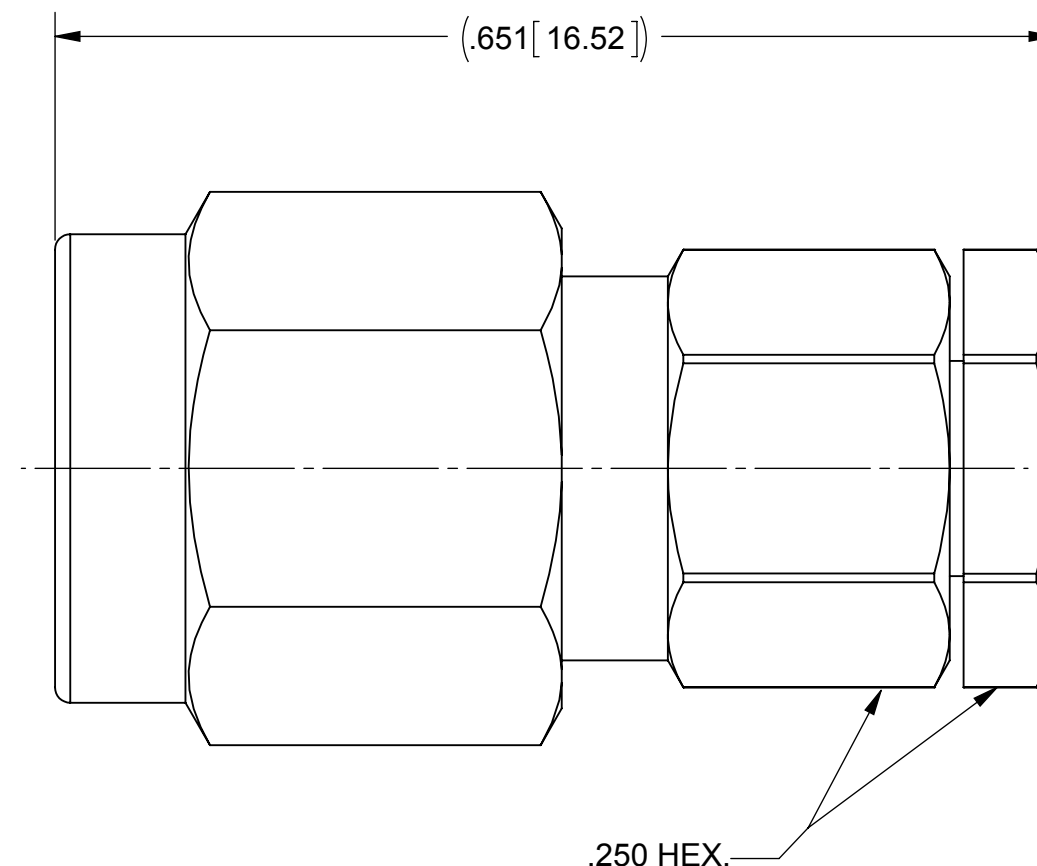
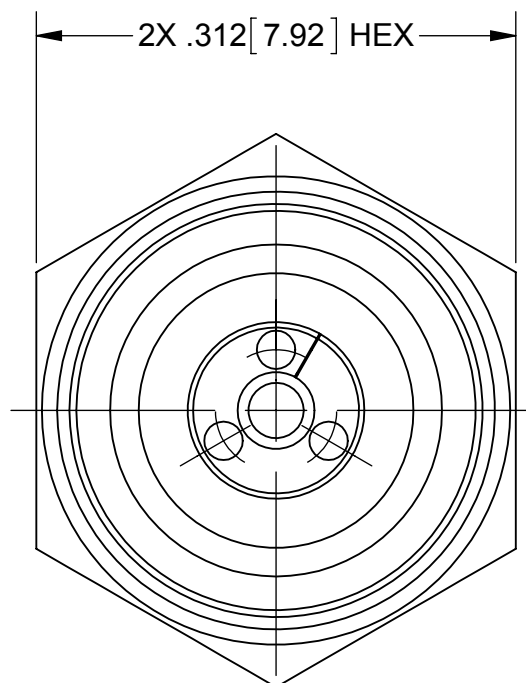
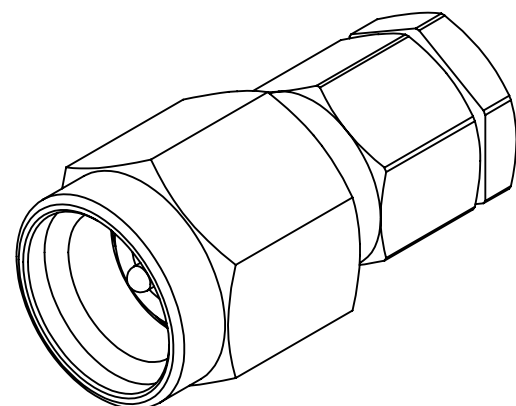


PRODUCT DATA DRAWING

REVISION HISTORY			
REV	DESCRIPTION	DATE	APPROVED
-	DCN 40123	01/15	STW
A	DCN 41510	07/15	STW
B	DCN 41901	11/15	DAL



MATERIAL:

- BODY, FERRULE, CLAMP NUT, INSERT & COUPLING NUT: STAINLESS STEEL
- LOCK RING & CONTACT: BERYLLIUM COPPER
- BEAD: ULTEM 1000
- GASKET: SILICONE RUBBER

FINISH:

- BODY, INSERT CLAMP NUT & COUPLING NUT: PASSIVATED
- CONTACT & FERRULE: GOLD OVER NICKEL

PERFORMANCE:

- IMPEDANCE: 50 OHMS
- FREQ. RANGE: DC TO 40.0 GHz

MATERIAL: SEE NOTES	DIMENSIONS ARE IN INCHES TOLERANCES: FRACTIONAL: ±1/64 ANGULAR: X° ±1'0" X°X' ±15'	UNLESS OTHERWISE SPECIFIED 1) ALL DIMENSIONS ARE IN INCHES (MILLIMETERS) 2) ALL DIMENSIONS ARE AFTER PLATING. 3) BREAK CORNERS & EDGES .005 R. MAX. 4) CHAM. 1ST & LAST THREADS. 5) SURFACE ROUGHNESS 63-MIL-STD-10. 6) DIA: 'S ON COMMON CENTERS TO BE CONCENTRIC WITHIN .005 T.I.R. 7) REMOVE ALL BURRS	 Amphenol 2400 Centrepark West Drive, Suite 100 West Palm Beach, FL 33409
FINISH: SEE NOTES	DECIMAL: X ±.030 .XX ±.010 .XXX ±.005		
SURFACE AREA: N/A	INTERPRET DIMENSIONS AND TOLERANCES PER ASME Y14.5M - 1994	TITLE: SVK STRAIGHT PLUG FOR Ø.047 CABLE	SIZE: B CAGE CODE: 95077 DWG. NO.: SF1511-60069
PROPRIETARY THE INFORMATION CONTAINED IN THIS DRAWING IS THE SOLE PROPERTY OF SV MICROWAVE, INC. ANY REPRODUCTION IN PART OR AS A WHOLE WITHOUT THE WRITTEN PERMISSION OF SV MICROWAVE, INC IS PROHIBITED.	THIRD ANGLE PROJECTION	DRAWN: MAL 08/28/14	SCALE: 8:1
		CHECKED: STW 08/28/14	SHEET 1 OF 1
		APPROVED: STW 08/28/14	