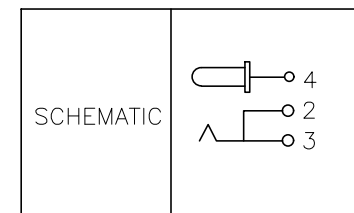
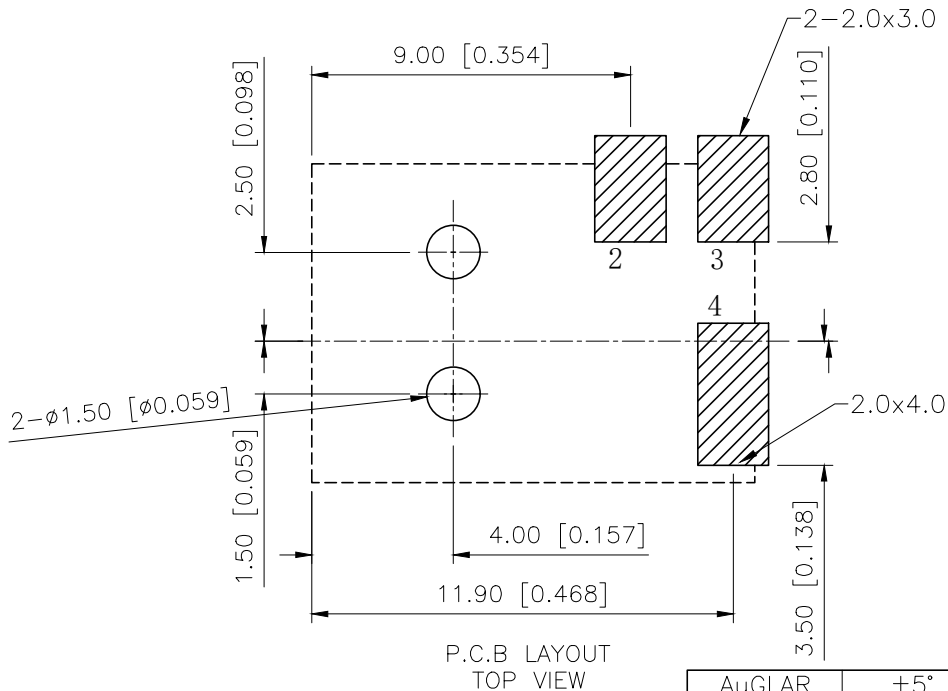
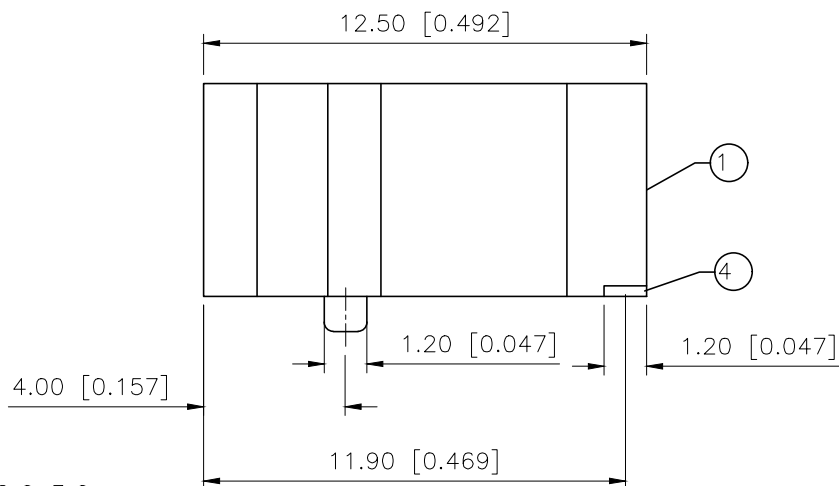
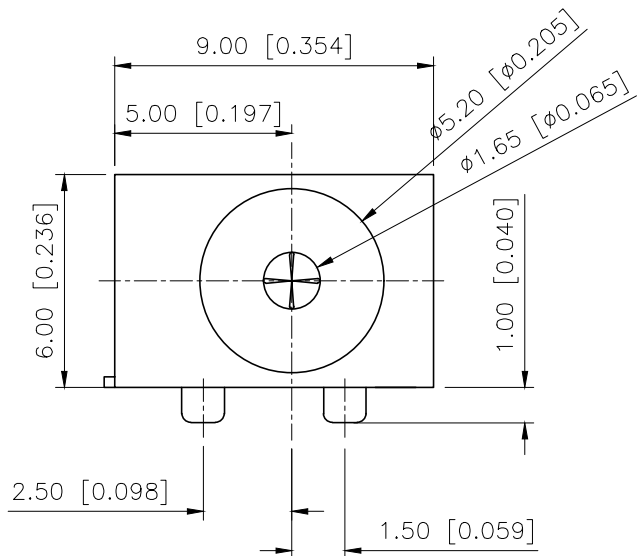


| REVISIONS | | | | | |
|-----------|---------|----------|-----------------|------------|--------|
| REV. | ECN NO. | LOCATION | DESCRIPTION | DATE | DESIGN |
| A0 | N/A | | INITIAL RELEASE | / | / |
| A1 | N/A | | 图面升级整理图面 | 2025.07.01 | 阿树 |



| 4 | Pin | 1 | Bronze | Ag-PLating |
|-----|-------------|-----|----------|------------|
| 3 | Spring | 1 | Bronze | Ag-PLating |
| 2 | Curve piece | 1 | Brass | Ag-PLating |
| 1 | Housing | 1 | PBT/PA6T | |
| LTR | PART NAME | QTY | MATERIAL | REMARK |

| | |
|------------------------|-------|
| AuGLAR | ±5° |
| X. | ±0.40 |
| X.x | ±0.30 |
| X.xx | ±0.20 |
| X.xxx | ±0.15 |
| UNSPECIFIED TOLERANCES | |



| | | | | | |
|----------|----|-------|-------|-------------|---------------|
| DESIGN | 阿树 | VIEW: | | MODEL TYPE: | DC POWER JACK |
| CHECKED | | UNIT: | mm/in | PART NO.: | DC-049A-SMT |
| APPROVED | | SIZE: | A4 | DWG NO.: | |