



PLANETARY GEARHEAD

Metal Version

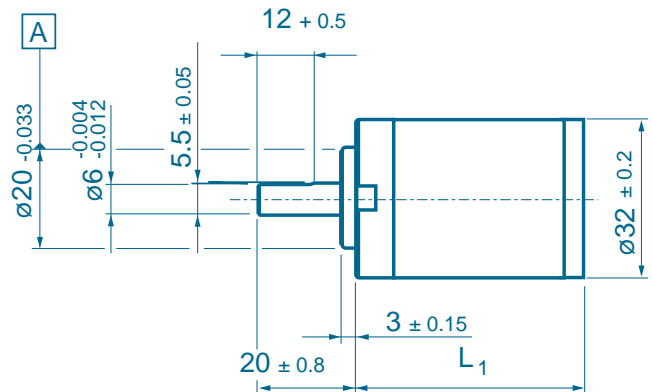
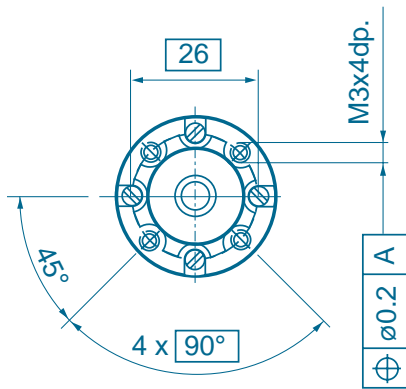
GP32._ _ _ _

TRIDENT ENGINEERING LIMITED
Trident House, King Street Lane,
Winnersh, Wokingham,
Berkshire, RG41 5AS

Telephone: 0118 978 6444
Fax: 0118 977 6345
Email: sales@tridenteng.co.uk
www.tridenteng.co.uk

General data				Product combinations			
Planetary gearhead		straight teeth		2-29/02			
Bearing at output		ball bearing		3-30/05			
Radial play, 5mm from flange		max. 0.08mm		3-38/14			
Axial play		max. 0.7mm					
Max. permissible axial load		120N					
Max. permissible force for press fits		120N					
Average backlash lo load per stage		<0.9°					
Recommended input speed		<4000rpm					
Recommended temperature range		-20/+80°C					
		1 stage	2 stages	3 stages			
Max radial load 12mm from flange		70N	140N	210N			
Efficiency		80%	75%	70%			
Gearhead Order No	Ratio reduction	Absolute	No of stages	Max Torque continuous [Nm]	Max Torque intermittent [Nm]	Weight [g]	L1 [mm]
GP32 0005	5.2:1	57/11	1	0.75	1.12	130	26.6
GP32 0019	19.2:1	3591/187	2	2.25	3.37	170	36.10
GP32 0027	27:1	3249/121	2	2.25	3.37	170	36.10
GP32 0035	35:1	1539/44	2	2.25	3.37	170	36.10
GP32 0071	71:1	226233/3179	3	4.50	6.75	215	45.60
GP32 0100	100:1	204687/2057	3	4.50	6.75	215	45.60
GP32 0139	139:1	185193/1331	3	4.50	6.75	215	45.60
GP32 0181	181:1	87723/484	3	4.50	6.75	215	45.60
GP32 0236	236:1	41553/176	3	4.50	6.75	215	45.60

The ratios shown are stock ratios, there are many more options available - please contact our technical department for more details.



Notes