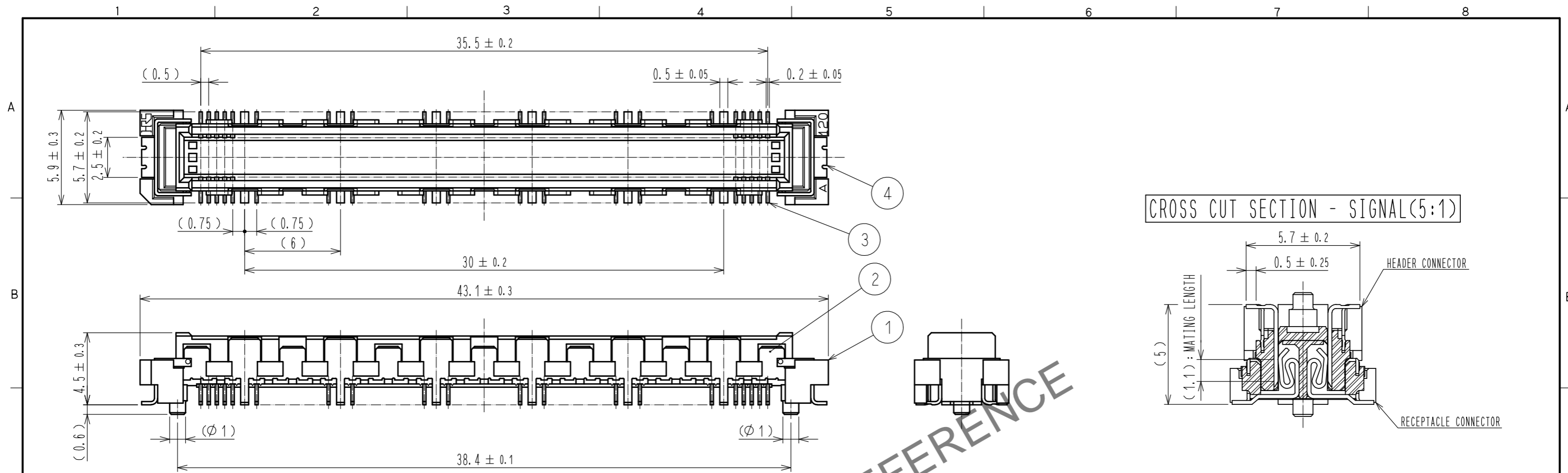
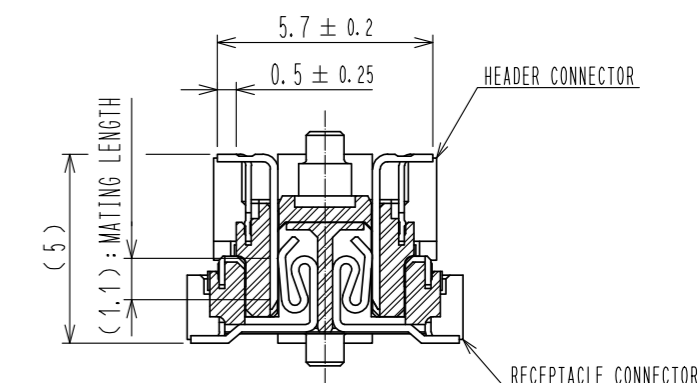


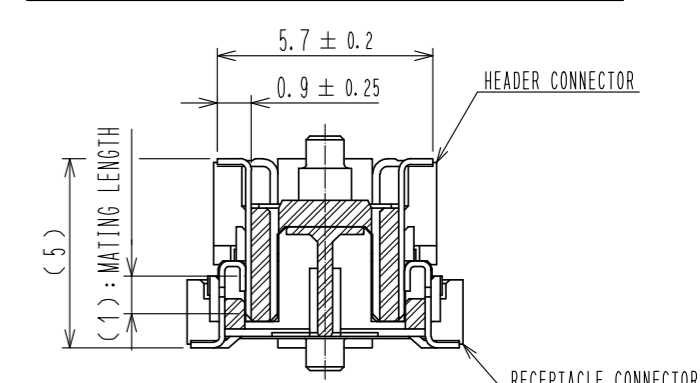
Jul.1.2024 Copyright 2024 HIROSE ELECTRIC CO., LTD. All Rights Reserved.
In case of consideration for using Automotive equipment / device which demand high reliability, kindly contact our sales window correspondents.



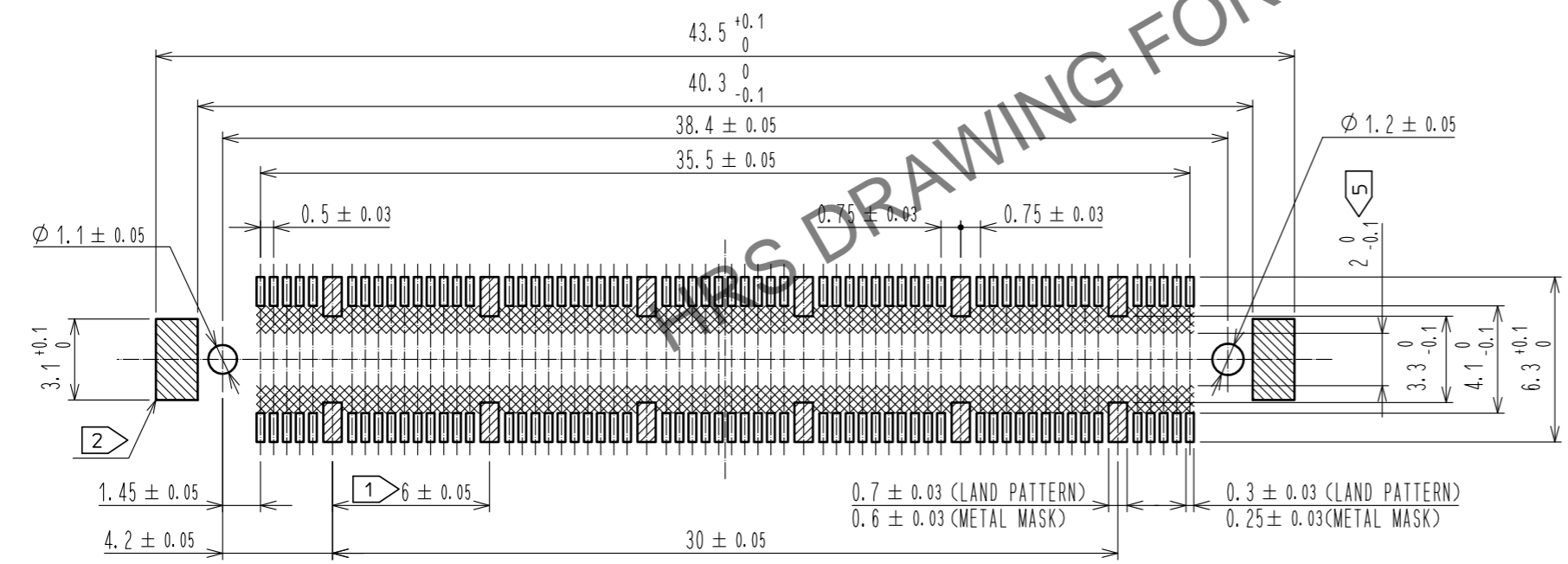
CROSS CUT SECTION - SIGNAL(5:1)



CROSS CUT SECTION - GROUND(5:1)



RECOMMENDED LAND PATTERN DIMENSION OF PCB

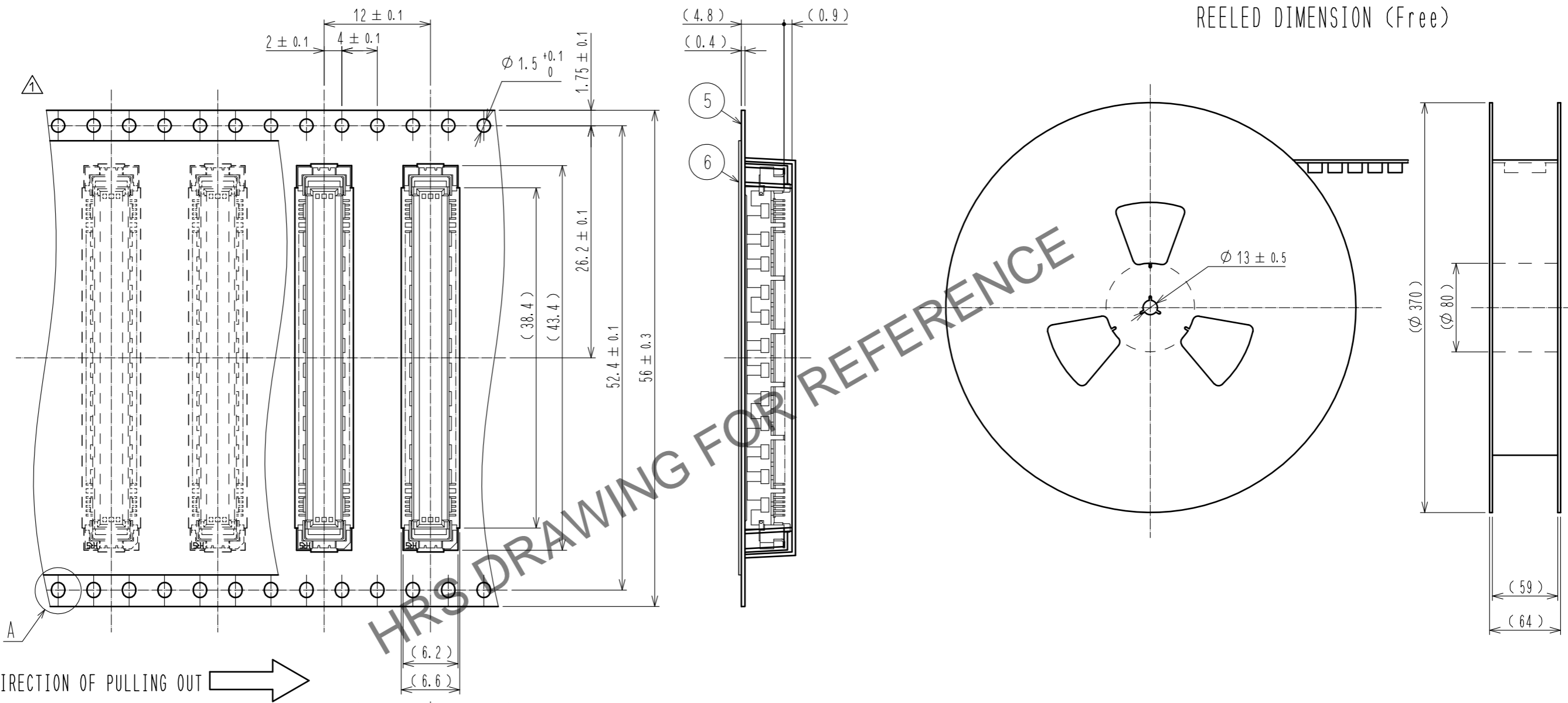


- NOTES
- ① 12 HATCHED PARTS : GROUND CIRCUIT.
 - ② 2 HATCHED PARTS : GROUND CIRCUIT.
 - 3 SMT LEAD-COPLANARITY : 0.1 MAX.
 - 4 THIS PRODUCT HAS NO POLARITY TO PATTERN FOR MOUNTING.
 - ⑤ MAKE SURE WIDTH OF PATTERN IS WITHIN THAT OF LAND, OR LEAD MAY TOUCH PATTERN. (THIS APPLIES TO HATCHED AREA.)
 - 6 EMBOSS CARRIER TAPE PACKAGE IS APPLIED ON THIS PRODUCT. PLEASE REFER TO THE SHEET 2/2 FOR THE DETAILS.
 - 7 THE DIMENSIONS IN PARENTHESES ARE FOR REFERENCE.

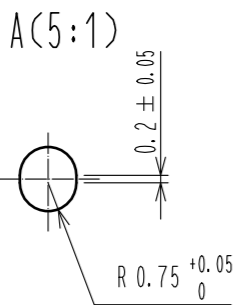
3	PHOSPHOR BRONZE	CONTACT AREA : GOLD 0.1 μm min.	6	PET	TOP COVER TAPE
		LEAD AREA : TIN-PLATING 1 μm min.			
		UNDER PLATING : NICKEL 1 μm min.			
2	PHOSPHOR BRONZE	TIN-PLATING	5	PS	EMBOSSED CARRIER TAPE
1	LCP	BEIGE	4	PHOSPHOR BRONZE	TIN-PLATING
NO.	MATERIAL	FINISH . REMARKS	NO.	MATERIAL	FINISH . REMARKS
UNITS mm		SCALE 4 : 1	COUNT 1	DESCRIPTION OF REVISIONS DIS-F-00015231	
APPROVED : HS. OKAWA 20051216			DESIGNED SY. KUDO	CHECKED HT. YAMAGUCHI	
CHECKED : HS. OZAWA 20051215			DATE 20220908		
DESIGNED : TK. YANAGISAWA 20051214			DRAWING NO. EDC-151962-91-21		
DRAWN : TK. YANAGISAWA 20051214			PART NO. FX10A-120P/12-SV1(91)		
HRS HIROSE ELECTRIC CO., LTD.			CODE NO. CL0570-0103-5-91		

Jul.1.2024 Copyright 2024 HIROSE ELECTRIC CO., LTD. All Rights Reserved.
 In case of consideration for using Automotive equipment / device which demand high reliability, kindly contact our sales window correspondents.

DRAWING FOR PACKING(2:1)



THE DIRECTION OF PULLING OUT



- NOTES
- 8 1 REEL : 1000 CONNECTORS.
 - 9 MINIMUM 10 COMPARTMENTS FROM BOTH REEL ENDS REMAIN EMPTY.
 - 10 THIS PRODUCT HAS NO POLARITY TO TAPE AND REEL PACKAGING.
 - 11 THE DIMENSIONS IN PARENTHESES ARE FOR REFERENCE.

HRS	DRAWING NO.	EDC-151962-91-21	2/2
	PART NO.	FX10A-120P/12-SV1(91)	
	CODE NO.	CL0570-0103-5-91	