



## Struthers-Dunn

407 East Smith Street, Suite B

Timmonsville, SC 29161

Telephone: (843)346-4427

Fax: (843)346-4465

Email: [info@struthers-dunn.com](mailto:info@struthers-dunn.com)

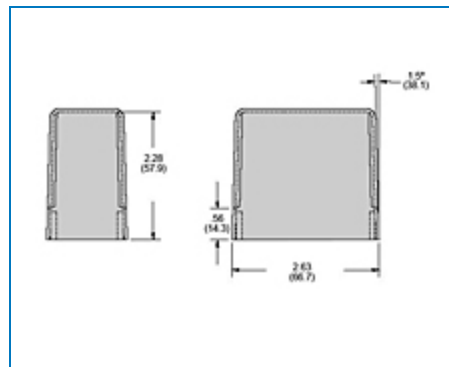
Website: [www.struthers-dunn.com](http://www.struthers-dunn.com)

# Item # CX-3671, Plug-in Module Kit

The widespread popularity of the industrial plug-in type of mounting used the 219 frame relays results in many requests for the plug-in enclosure only. Some requests originate from a desire to match relays on the same panel, but many stem from applications requiring no relays.

These modules are furnished as disassembled kits of parts which include all necessary hardware. Many design engineers find these plug-in assemblies ideal for conveniently and quickly modularizing their control circuitry. Combinations of relays, resistors, capacitors, transforms, rectifiers and innumerable solid state devices are often combined in these envelopes to form pre-wired, pre-tested, sub-assemblies, or complete controls on some machines.

For Additional Configuration please use the RFQ/RFI tab above to submit your request.



## Specifications

Description	Kit - 12 Pin - short Cover and 12 Pin plug
Mating Socket	27390D

