

Product data sheet

Specifications



flat screen, Harmony iPC, 12inch wide display, multi touch, for modular box pc

HMIDM6521

! To be discontinued

! To be discontinued on: Apr 30, 2025

! To be end-of-service on: Apr 30, 2029

Main

Range of product	Harmony iPC
Product or component type	Flat screen
Terminal type	Touchscreen display
Device mounting	Flush
Product compatibility	Modular Box PC

Complementary

View angle horizontal x vertical	140 x 115°
Contrast ratio	500:1
Touchscreen resolution	2048 x 2048
Display resolution	1280 x 800 pixels WXGA
display size	12.1 inch
Aspect ratio	16:9
Display type	Colour TFT LCD LED
Display colour	16777216 colors
Luminance	300 cd/m ²
Backlight lifespan	50000 hours at 25 °C
Touch panel	Multi-touch projected capacitive technology (PCT)
Function available	Operate with water on screen
[Us] rated supply voltage	24 V DC power supply 100...240 V AC power supply
Supply voltage limits	18...36 V
Inrush current	8.9 A
Power consumption in W	58.65 W (Box PC HMIBMP) 53.65 W (Box PC HMIBMU)
local signalling	Status LED
Depth	Enclosure : 28 mm 7 mm
Height	309 mm
Width	488.3 mm

Net weight	2.25 kg
------------	---------

Environment

Standards	Class I division 2 CSA C22.2 No 213 CSA C22.2 No 142 UL 6110-2-201 Class I division 2 ANSI/ISA 12-12-01
-----------	--

Product certifications	IEC-Ex EAC CE C-Tick
------------------------	-------------------------------

IP degree of protection	IP66
-------------------------	------

NEMA degree of protection	NEMA 4X
---------------------------	---------

Pollution degree	2
------------------	---

Ambient air temperature for storage	-30...70 °C
-------------------------------------	-------------

Relative humidity	10...95 % non-condensing
-------------------	--------------------------

Ambient air temperature for operation	0...55 °C
---------------------------------------	-----------

Operating altitude	2000 m
--------------------	--------

Vibration resistance	1 gn (f = 5...500 Hz) HDD 2 gn (f = 5...500 Hz) SSD 2 gn (f = 5...500 Hz) Cfast card
----------------------	--

Packing Units

Unit Type of Package 1	PCE
------------------------	-----

Number of Units in Package 1	1
------------------------------	---

Package 1 Height	47 cm
------------------	-------

Package 1 Width	25.5 cm
-----------------	---------

Package 1 Length	45 cm
------------------	-------

Package 1 Weight	4.13 kg
------------------	---------

Sustainability

Green Premium™ label is Schneider Electric's commitment to delivering products with best-in-class environmental performance. Green Premium promises compliance with the latest regulations, transparency on environmental impacts, as well as circular and low-CO₂ products.

Guide to assessing product sustainability is a white paper that clarifies global eco-label standards and how to interpret environmental declarations.

[Learn more about Green Premium >](#)

[Guide to assess a product's sustainability >](#)



Transparency RoHS/REACH

Well-being performance

✓ Reach Free Of Svhc

✓ Mercury Free

✓ Rohs Exemption Information [Yes](#)

Certifications & Standards

Reach Regulation

[REACH Declaration](#)

Eu Rohs Directive

Pro-active compliance (Product out of EU RoHS legal scope)

China Rohs Regulation

[China RoHS declaration](#)

Environmental Disclosure

[Product Environmental Profile](#)

Circularity Profile

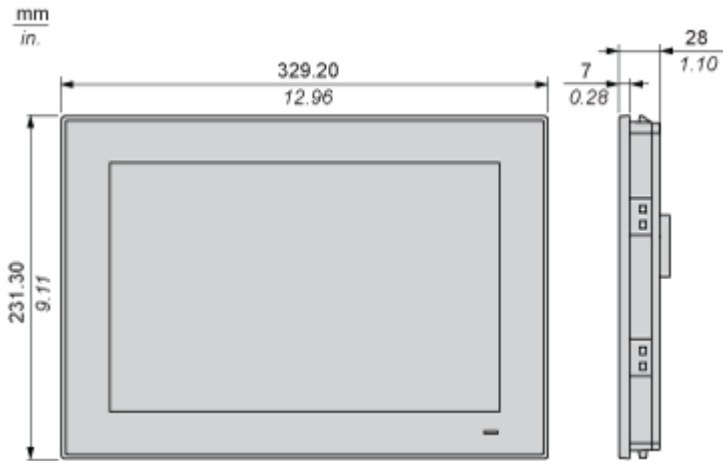
[End of Life Information](#)

California Proposition 65

WARNING: This product can expose you to chemicals including: Lead and lead compounds, which is known to the State of California to cause cancer and birth defects or other reproductive harm. For more information go to www.P65Warnings.ca.gov

Dimensions Drawings

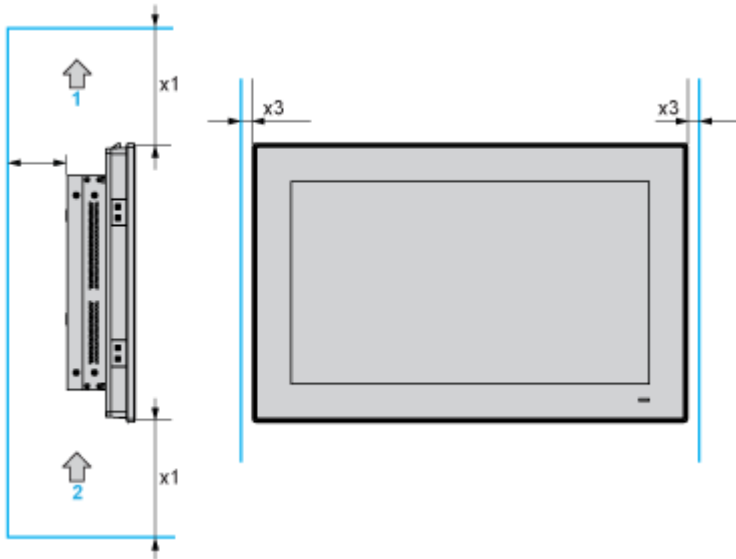
Display Dimensions



Mounting and Clearance

Spacing requirements - Mounted with Display adaptor HMIDAD

In order to provide sufficient air circulation, mount the Display Adapter so that the spacing above, below and on the sides of the unit is as follows:



1 : Air out

2 : Air in

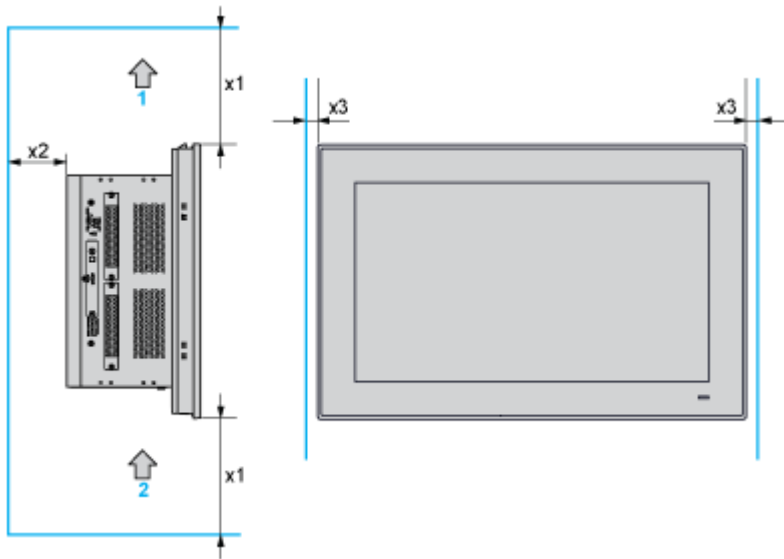
x1 > 100 mm (3.93 in)

x2 > 50 mm (1.96 in)

x3 > 15 mm (0.59 in)

Spacing Requirements - Mounted with Modular Box PC HMIBM

In order to provide sufficient air circulation, mount the display so that the spacing above, below and on the sides of the unit is as follows:



1 : Air out

2 : Air in

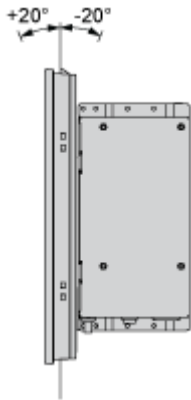
x1 > 100 mm (3.93 in)

x2 > 50 mm (1.96 in)

x3 > 15 mm (0.59 in)

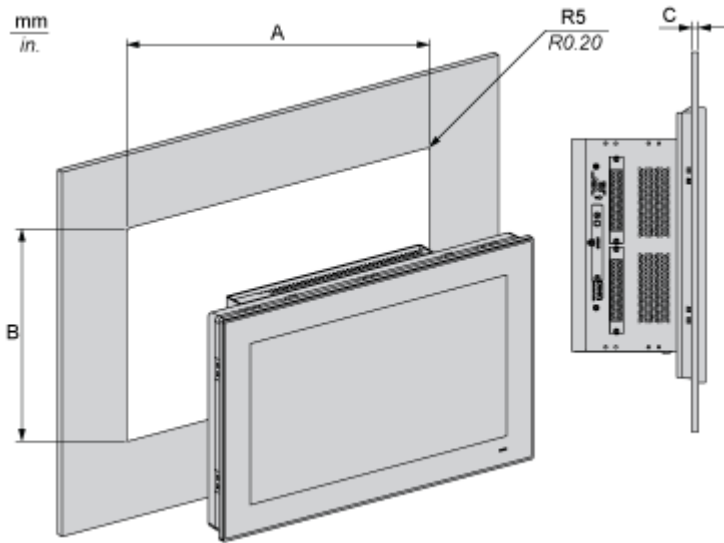
Mounting Orientation

The following figure shows the allowed mounting orientation for the display:



Panel Cut Dimensions

For cabinet installation, you need to cut the correctly sized opening in the installation panel according to the model of display.



A		B		C		R	
mm	in.	mm	in.	mm	in.	mm	in.
310	12.2	221	8.7	2...6	0.08...0.24	5	0.20