

Product Compliance

[For compliance documentation, visit the product page on TE.com>](#)

EU RoHS Directive 2011/65/EU	Compliant
EU ELV Directive 2000/53/EC	Compliant
China RoHS 2 Directive MIIT Order No 32, 2016	No Restricted Materials Above Threshold
EU REACH Regulation (EC) No. 1907/2006	Current ECHA Candidate List: JUNE 2024 (241) Candidate List Declared Against: JUNE 2024 (241) SVHC > Threshold: Melamine (2.5% in Component Part) <small>Article Safe Usage Statements: Wash thoroughly after handling. Do not handle until all safety precautions have been read and understood. Recycle if possible and dispose of the article by following all applicable governmental regulations relevant to your geographic location.</small>
Halogen Content	BFR/CFR/PVC Free, but Br/Cl >900 ppm in other sources.
Solder Process Capability	Not applicable for solder process capability

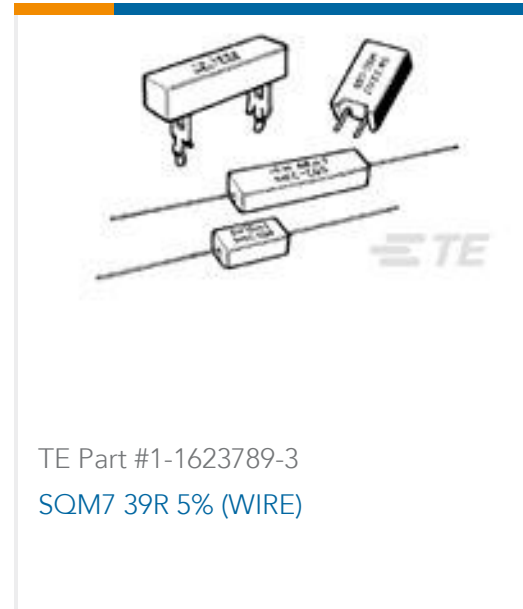
Product Compliance Disclaimer

This information is provided based on reasonable inquiry of our suppliers and represents our current actual knowledge based on the information they provided. This information is subject to change. The part numbers that TE has identified as EU RoHS compliant have a maximum concentration of 0.1% by weight in homogenous materials for lead, hexavalent chromium, mercury, PBB, PBDE, DBP, BBP, DEHP, DIBP, and 0.01% for cadmium, or qualify for an exemption to these limits as defined in the Annexes of Directive 2011/65/EU (RoHS2). Finished electrical and electronic equipment products will be CE marked as required by Directive 2011/65/EU. Components may not be CE marked. Additionally, the part numbers that TE has identified as EU ELV compliant have a maximum concentration of 0.1% by weight in homogenous materials for lead, hexavalent chromium, and mercury, and 0.01% for cadmium, or qualify for an exemption to these limits as defined in the Annexes of Directive 2000/53/EC (ELV). Regarding the REACH Regulation, the information TE provides on SVHC in articles for this part number is based on the latest European Chemicals Agency (ECHA) 'Guidance on requirements for substances in articles' posted at this URL: <https://echa.europa.eu/guidance-documents/guidance-on-reach>

Customers Also Bought



TE Part #640456-5
OSP MTA100 HDR ASSY F/L SQ STR



TE Part #1-1623789-3
SQM7 39R 5% (WIRE)



TE Part #2823064-1
M12-DUST CAP-FEMALE CONN-IP67-
W/O SLEEVE



TE Part #2108792-3
FPC Ant, MHF, 100mm, Wi-Fi 6E Triple



TE Part #2344655-1
PCB ANT, MHF, 50mm, Wi-Fi TRIPLE
BAND



TE Part #2344657-3
FPC ANTENNA, CABLE, MHF, Wi-Fi
TRIPLE



TE Part #2331391-1
DET SW5.7X4.0X2.0 GW HORZ. NC
AG RL



TE Part #2331293-1
DET SW5.7X4.0X2.0 GW HORZ. NO
AG RL



TE Part #3-1879352-0
RR02 5% 5R1 AMMO



TE Part #91285-1
INSERT/EXTRACT TOOL ASSEMBLY

Documents

Product Drawings

WIFI DUAL BAND ANTENNA ASSY W/160MM CABL

English

CAD Files

3D PDF

3D

Customer View Model

[ENG_CVM_CVM_2118439-3_C.2d_dxf.zip](#)

English

Customer View Model

[ENG_CVM_CVM_2118439-3_C.3d_igs.zip](#)

English

Customer View Model

[ENG_CVM_CVM_2118439-3_C.3d_stp.zip](#)

English

By downloading the CAD file I accept and agree to the [Terms and Conditions](#) of use.

