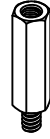
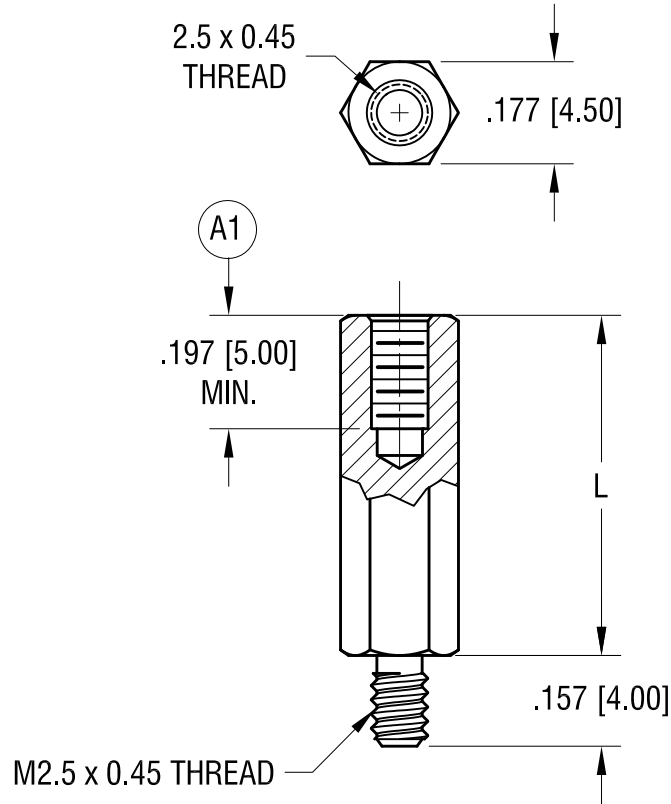


THIS DOCUMENT IS THE PROPERTY OF
KEYSTONE ELECTRONICS CORP. AND
SHALL NOT BE REPRODUCED, DISTRIBUTED
OR USED AS A BASIS FOR MANUFACTURE
WITHOUT PRIOR WRITTEN PERMISSION
FROM KEYSTONE ELECTRONICS CORP.

ACTUAL SIZE



P/N 24309



PART NO.	'L' DIM.
24307	.394 [10.00]
24308	.472 [12.00]
24309	.591 [15.00]
24310	.709 [18.00]
24311	.788 [20.00]
24312	.984 [25.00]

KEYSTONE ELECTRONICS CORP.
www.keyelco.com • NEW HYDE PARK NY 11040 • Tel (516)328-7500

PART NAME
4.5 mm HEX M/F STANDOFF

MATERIAL
BRASS

FINISH NICKEL PLATE	DRN BY BOONE	DATE 5.08.06
	APP'D RH	SCALE 3X

TOLERANCES INCH [MM]
DECIMAL ± .005 [± 0.13]
ANGULAR ± 1°
UNLESS OTHERWISE SPECIFIED

CODE
C

DRN BY
DWG NO.
24307-24312

9.20.22	(A1) WAS 5mm±0.80mm CHANGE AS PER ECN 22-149	A
DATE	DESCRIPTION	REV.