

0460-208-12141 ✓ ACTIVE

DEUTSCH | DEUTSCH Common Contact

TE Internal #: 0460-208-12141

Pin, Pin Diameter 2.4 mm [.094 in], Nickel (Ni) Interface Plating,
Terminates To Printed Circuit Board, DEUTSCH Common Contact,
Automotive Terminals

[View on TE.com >](#)



Terminals & Splices > Automotive Terminals > DEUTSCH Solid Contacts



Terminal Type: **Pin**

Mating Pin Diameter: **2.4 mm [.094 in]**

Terminal Transmits: **25 – 40 A (Power)**

Sealable: **No**

Primary Locking Feature: **Integrated in Housing**

[All DEUTSCH Solid Contacts \(46\)](#)

Features

Product Type Features

Receptacle Style	180°
Sealable	No
Primary Locking Feature	Integrated in Housing

Contact Features

Contact Size	Size 12
Contact Fabrication	Solid
Wire Contact Termination Area Plating Material	Nickel
Typical Current Rating	25 A
Crimp Type	Indent
Terminal Type	Pin
Mating Pin Diameter	2.4 mm [.094 in]
Interface Plating	Nickel (Ni)

Termination Features

Termination Method to PCB	Through Hole - Solder
Product Terminates To	Printed Circuit Board

Dimensions

PCB Hole Diameter	.89 – .99 mm [.035 – .039 in]
-------------------	-------------------------------



Usage Conditions

Insulation Option	Uninsulated
Operating Temperature (Max)	125 °C[257 °F]
Operating Temperature Range	-55 – 125 °C[-67 – 257 °F]

Packaging Features

Packaging Quantity	1
Packaging Method	Package

Other

Customer Preferred Contact	Yes
Terminal Transmits	25 – 40 A (Power)

Product Compliance

[For compliance documentation, visit the product page on TE.com>](#)

EU RoHS Directive 2011/65/EU	Compliant with Exemptions
EU ELV Directive 2000/53/EC	Compliant with Exemptions
China RoHS 2 Directive MIIT Order No 32, 2016	Restricted Materials Above Threshold
EU REACH Regulation (EC) No. 1907/2006	Current ECHA Candidate List: JUNE 2024 (241) Candidate List Declared Against: JUNE 2024 (241) SVHC > Threshold: Pb (3.5% in Component Part) Article Safe Usage Statements: Do not eat, drink or smoke when using this product. Wash thoroughly after handling. Recycle if possible and dispose of the article by following all applicable governmental regulations relevant to your geographic location.
Halogen Content	Low Halogen - Br, Cl, F, I < 900 ppm per homogenous material. Also BFR/CFR/PVC Free
Solder Process Capability	Not reviewed for solder process capability


Product Compliance Disclaimer

This information is provided based on reasonable inquiry of our suppliers and represents our current actual knowledge based on the information they provided. This information is subject to change. The part numbers that TE has identified as EU RoHS compliant have a maximum concentration of 0.1% by weight in homogenous materials for lead, hexavalent chromium, mercury, PBB, PBDE, DBP, BBP, DEHP, DIBP, and 0.01% for cadmium, or qualify for an exemption to these limits as defined in the Annexes of Directive 2011/65/EU (RoHS2). Finished electrical and electronic equipment products will be CE marked as required by Directive 2011/65/EU. Components may not be CE marked. Additionally, the part numbers that TE has identified as EU ELV compliant have a maximum concentration of 0.1% by weight in homogenous materials for lead, hexavalent chromium, and mercury, and 0.01% for cadmium, or qualify for an exemption to these limits as defined in the Annexes of Directive 2000/53/EC (ELV). Regarding the REACH Regulation, the information TE provides on SVHC in articles for this part number is based on the latest European Chemicals Agency (ECHA) 'Guidance on requirements for substances in articles' posted at this URL: <https://echa.europa.eu/guidance-documents/guidance-on-reach>

Compatible Parts




TE Part # 0462-203-12141
SOC, SOLID, SIZE 12, 12-14AWG, NI



TE Part # CAT-D48-PCH8172
DEUTSCH DTHD Housings



TE Part # CAT-D486-CH8172
DEUTSCH DTP Housings



TE Part # CAT-D781-CH8172
DEUTSCH DRB Housings



TE Part # CAT-D799-CH8172
DEUTSCH DRC Housings



TE Part # CAT-H3910-CH8172
DEUTSCH HD10 Housings




TE Part # CAT-H3930-CH8172
DEUTSCH HD30 Housings




TE Part # CAT-H396-CH8172
DEUTSCH HDP20 Housings

Also in the Series | DEUTSCH Common Contact



Automotive Terminals(91)



Insertion & Extraction Tools(8)

Customers Also Bought



TE Part #5-794638-0
20P MICRO MNL ASSY,VRT,SMT,LF



TE Part #5-794636-4
24P MICRO MNL ASSY,VRT,SMT,LF



TE Part #1971845-3
3P, RAST 5 Tab Header, THV



TE Part #440423-1
Shield Finger 5025



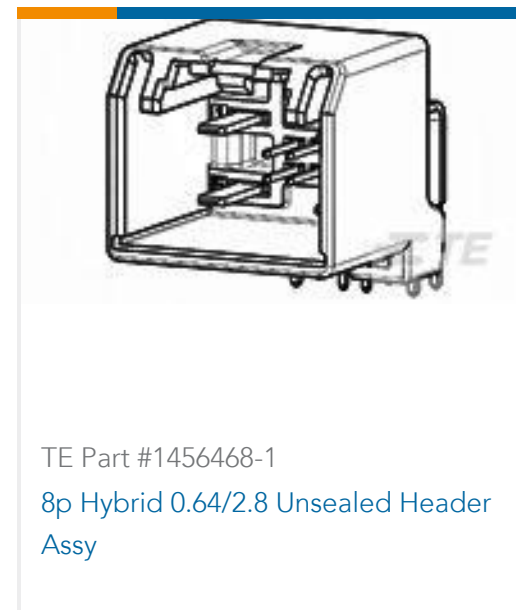
TE Part #MS580502BA01-50
MINIATURE DIGITAL PRESSURE
SENSOR



TE Part #0460-208-2090
PIN, SOLID, SIZE 20, EXTENDED PCB,
SN



TE Part #3-1879233-5
SMW5 2R7 5%



TE Part #1456468-1
8p Hybrid 0.64/2.8 Unsealed Header
Assy



TE Part #3-794638-8
08P MICRO MNL ASSY,VRT,SMT,LF

Documents

CAD Files

3D PDF

3D

Customer View Model

[ENG_CVM_CVM_0460-208-12141_99_c-0460-208-12141-99.2d_dxf.zip](#)

English

Customer View Model

[ENG_CVM_CVM_0460-208-12141_99_c-0460-208-12141-99.3d_igs.zip](#)

English

Customer View Model

[ENG_CVM_CVM_0460-208-12141_99_c-0460-208-12141-99.3d_stp.zip](#)

English

By downloading the CAD file I accept and agree to the [Terms and Conditions](#) of use.

Datasheets & Catalog Pages

DEUTSCH HD30 & HDP20 CONNECTOR SERIES

English

CONNECTOR SELECTOR

English

Product Specifications

Application Specification

English

Instruction Sheets

Instruction Sheet (U.S.)

English

0460-208-12141

Pin, Pin Diameter 2.4 mm [.094 in], Nickel (Ni) Interface Plating, Terminates To Printed Circuit Board, DEUTSCH Common Contact, Automotive Terminals

