



Connectors > Connector Accessories > Connector Hardware



Hardware Accessory Function: **Mounting**

Connector Hardware Accessory Type: **Holder**

Primary Product Color: **Ivory**

Primary Product Material: **PA 66**

Number of Positions: **26**

Features

Product Type Features

| | |
|-----------------------------------|----------|
| Hardware Accessory Function | Mounting |
| Connector Hardware Accessory Type | Holder |

Configuration Features

| | |
|---------------------|----|
| Number of Positions | 26 |
|---------------------|----|

Body Features

| | |
|--------------------------|-------|
| Primary Product Color | Ivory |
| Primary Product Material | PA 66 |

Housing Features

| | |
|--------------------|---------------|
| Centerline (Pitch) | 2 mm[.079 in] |
|--------------------|---------------|

Dimensions

| | |
|--------------------|-------------------|
| Product Width | 7.55 mm[.297 in] |
| Product Length | 30.3 mm[1.193 in] |
| Product Height | 6.65 mm[.261 in] |
| Row-to-Row Spacing | 6.6 mm |
| Wire Size | 28 – 24 AWG |

Usage Conditions

| | |
|-----------------------------|----------------------------|
| Operating Temperature (Max) | 105 °C[221 °F] |
| Operating Temperature Range | -30 – 105 °C[-22 – 221 °F] |

Packaging Features



| | |
|--------------------|------|
| Packaging Quantity | 1000 |
| Packaging Method | Bag |

Product Compliance

[For compliance documentation, visit the product page on TE.com>](#)

| | |
|---|---|
| EU RoHS Directive 2011/65/EU | Compliant |
| EU ELV Directive 2000/53/EC | Compliant |
| China RoHS 2 Directive MIIT Order No 32, 2016 | No Restricted Materials Above Threshold |
| EU REACH Regulation (EC) No. 1907/2006 | Current ECHA Candidate List: JUNE 2024 (241) Candidate List Declared Against: JUNE 2024 (241) Does not contain REACH SVHC |
| Halogen Content | Low Halogen - Br, Cl, F, I < 900 ppm per homogenous material. Also BFR/CFR/PVC Free |
| Solder Process Capability | Not applicable for solder process capability |

Product Compliance Disclaimer

This information is provided based on reasonable inquiry of our suppliers and represents our current actual knowledge based on the information they provided. This information is subject to change. The part numbers that TE has identified as EU RoHS compliant have a maximum concentration of 0.1% by weight in homogenous materials for lead, hexavalent chromium, mercury, PBB, PBDE, DBP, BBP, DEHP, DIBP, and 0.01% for cadmium, or qualify for an exemption to these limits as defined in the Annexes of Directive 2011/65/EU (RoHS2). Finished electrical and electronic equipment products will be CE marked as required by Directive 2011/65/EU. Components may not be CE marked. Additionally, the part numbers that TE has identified as EU ELV compliant have a maximum concentration of 0.1% by weight in homogenous materials for lead, hexavalent chromium, and mercury, and 0.01% for cadmium, or qualify for an exemption to these limits as defined in the Annexes of Directive 2000/53/EC (ELV). Regarding the REACH Regulation, the information TE provides on SVHC in articles for this part number is based on the latest European Chemicals Agency (ECHA) 'Guidance on requirements for substances in articles' posted at this URL: <https://echa.europa.eu/guidance-documents/guidance-on-reach>

Compatible Parts



TE Part # CAT-AM7017-C7671
Common Termination Contacts —
POWER TRIPLE LOCK



TE Part # CAT-3980700-DRWBSV
CT 2mm Dbl Row Assembly w/Boss:
Vert.



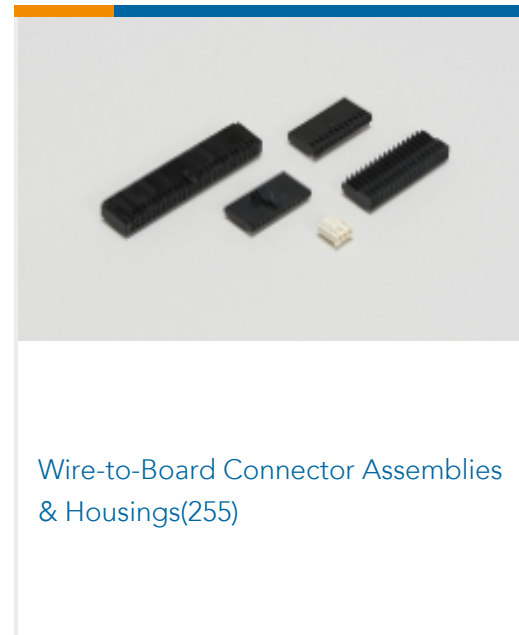
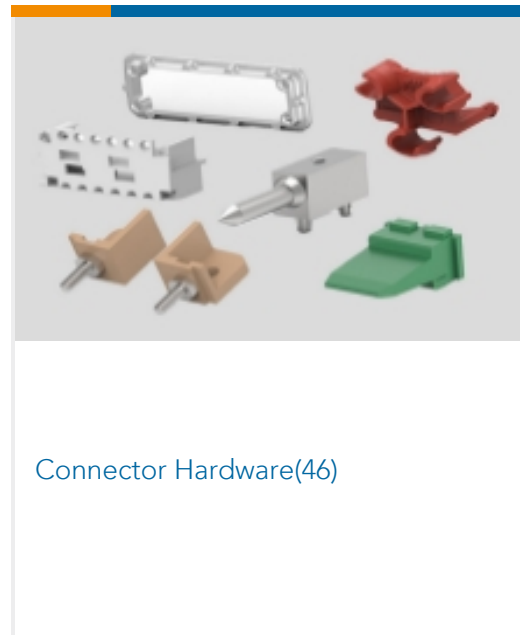
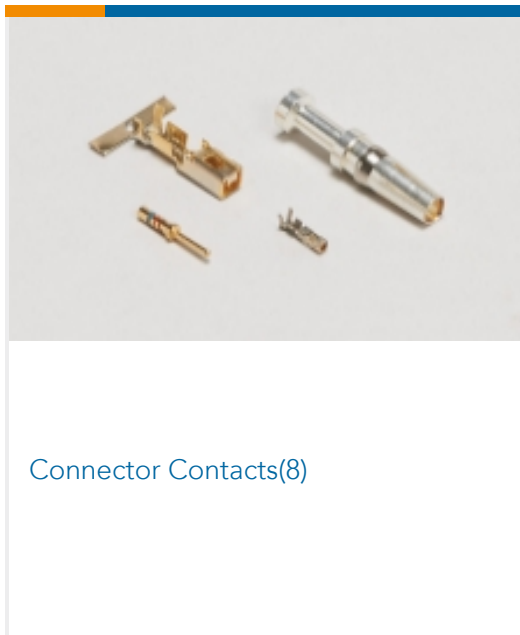
TE Part # CAT-AM7017-H8172
AMP COMMON TERMINATION
HOUSINGS



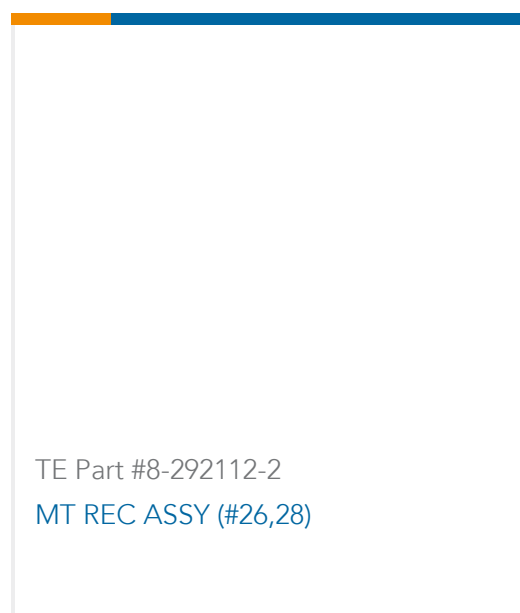
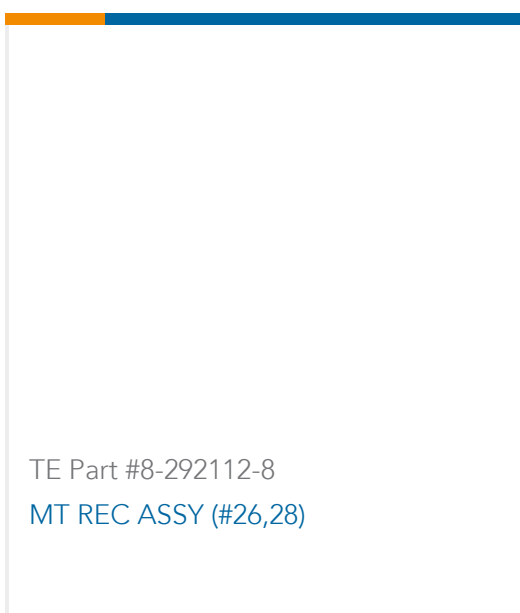
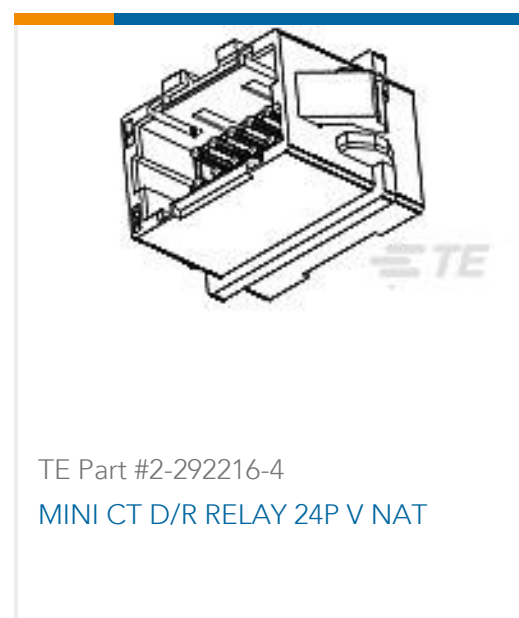
TE Part # 353918-1
CT 1.5MM REC CONT CRIMP TYPE



Also in the Series | AMP CT



Customers Also Bought





Documents

Product Drawings

[CT DOUBLE ROW 26P HOLDER NATU.](#)

English

CAD Files

[3D PDF](#)

3D

Customer View Model

[ENG_CVM_CVM_2-175133-6_E.2d_dxf.zip](#)

English

Customer View Model

[ENG_CVM_CVM_2-175133-6_E.3d_igs.zip](#)

English

Customer View Model

[ENG_CVM_CVM_2-175133-6_E.3d_stp.zip](#)

English

By downloading the CAD file I accept and agree to the [Terms and Conditions](#) of use.

Product Specifications

[Application Specification](#)

English

[Crimping of AMP 2.0mm Pitch, CT Crimp Typell Rec Contact](#)

English

[Application Specification](#)

English

Agency Approvals

[CSA Certificate](#)

English