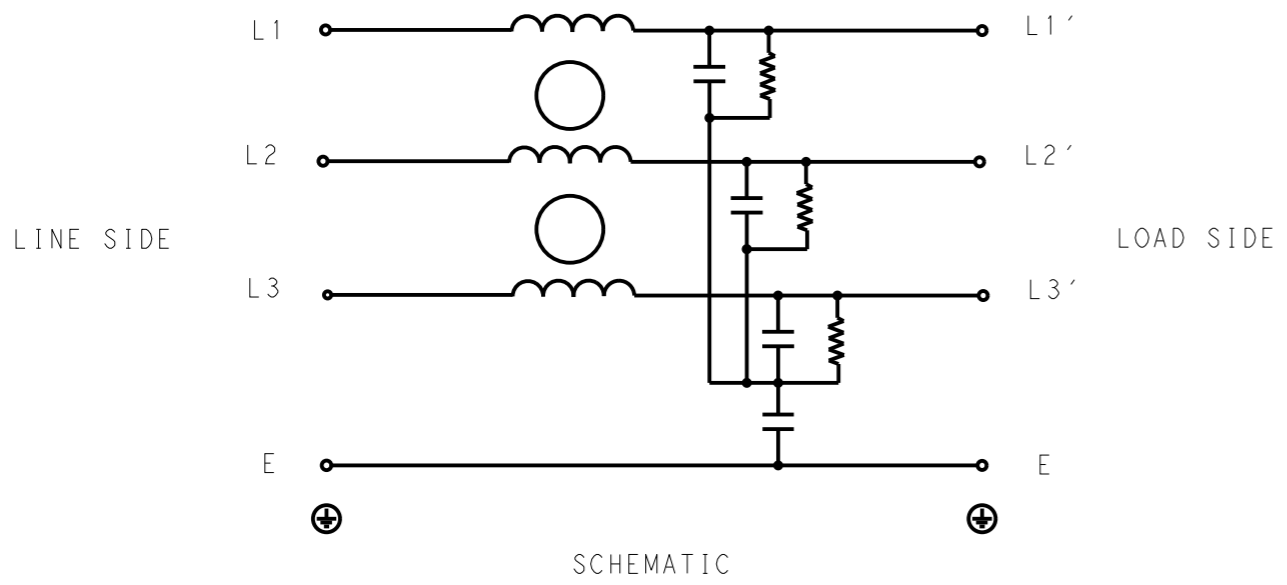


| P | LTR | DESCRIPTION | DATE | DWN | APVD |
|---|-----|-----------------|-----------|-----|------|
| | A | INITIAL RELEASE | 30MAR2020 | SR | CB |
| | | | | | |
| | | | | | |



SAFETY ORGANIZATIONS
 THIS FILTER WILL BE FORMALLY RECOGNIZED, CERTIFIED OR APPROVED BY THE LISTED AGENCY. THEREFORE, ALL TEST/REQUIREMENTS SPECIFIED IN THE LATEST REVISION OF THE FOLLOWING AGENCY STANDARDS WILL BE MET:

UL APPROVED 1A 440V 50Hz/60Hz 40°C
 CSA RECOGNISED 1A 440V 50Hz/60Hz 40°C

OPERATING SPECIFICATION
 LINE CURRENT/VOLTAGE: 1A, 440VAC
 LINE FREQUENCY: 50/60Hz

MAXIMUM LEAKAGE CURRENT: 3mA @ 230VAC, 50Hz
 OPERATING AMBIENT TEMPERATURE RANGE @ RATED CURRENT: -25°C TO +40°C

IN AN AMBIENT, T_a, HIGHER THAN 40°C, THE MAXIMUM OPERATING CURRENT, I_o, IS AS FOLLOWS:

$$I_o = I_r \sqrt{\frac{85 - T_a}{45}}$$

RELIABILITY SPECIFICATIONS
 STORAGE TEMPERATURE: -40°C TO +85°C
 HUMIDITY: 21 DAYS @ 40°C AND 95% RH

TEST SPECIFICATIONS
 INDUCTANCE, NOMINAL: 1mH

CAPACITANCE @ 1kHz
 LINE TO GROUND, NOMINAL: 18nF
 LINE TO LINE, NOMINAL: 50nF

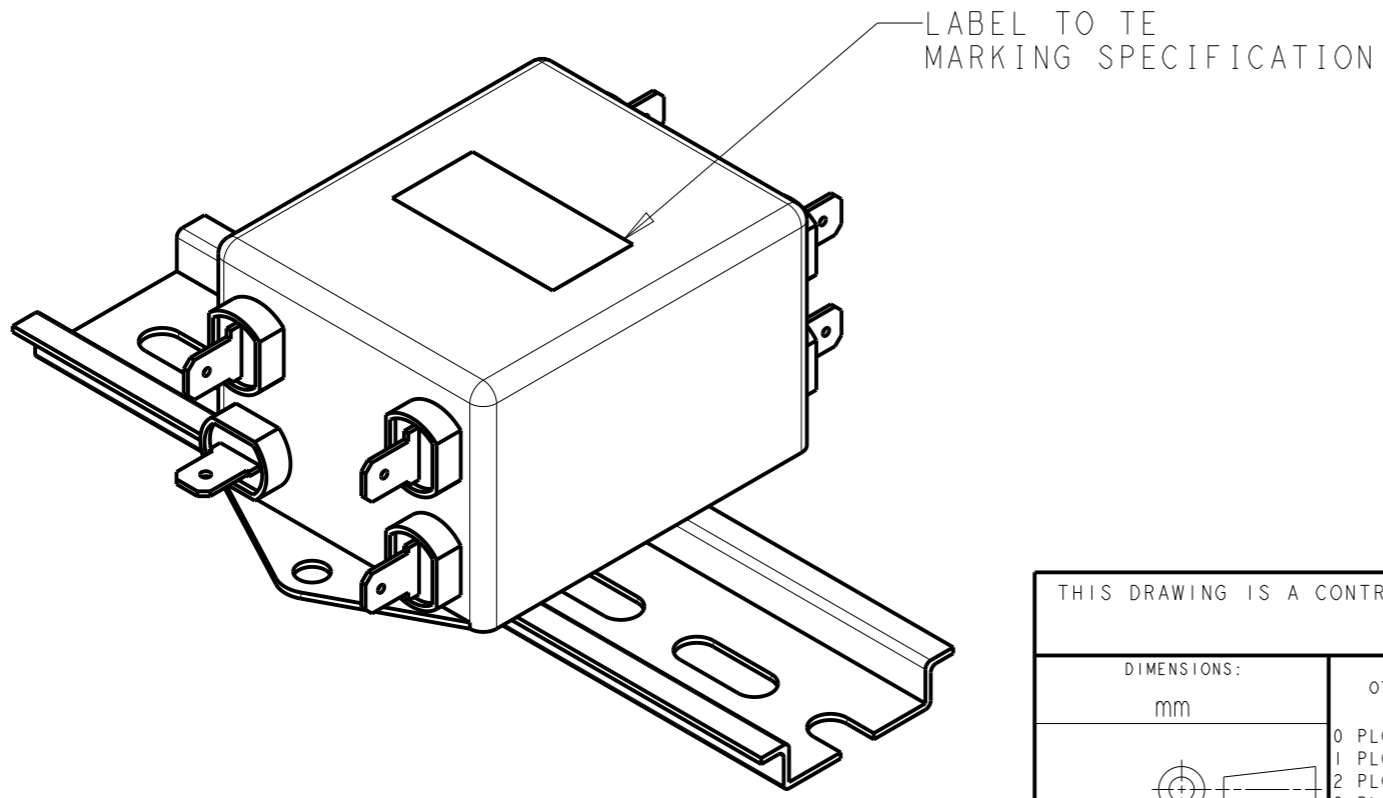
DISCHARGE RESISTOR
 L/G I.R. 680KΩ 1W
 L/L I.R. 2MΩ 1W
 L/N I.R. XXX
 N/G I.R. XXX
 IR (NO DISCHARGE RESISTOR) 20°C, 50% RH AND 100VDC, MIN: 6MΩ

RECOMMENDED RECEIVING INSPECITON HIPOT
 LINE TO GROUND FOR 1 MINUTE: 2632VDC
 LINE TO LINE FOR 1 MINUTE: 1892VDC

FILTER APPROVAL
 THE BEST WAY TO SELECT AND QUALIFY A FILTER IS FOR YOUR ENGINEERING TO TEST THE UNIT IN YOUR EQUIPMENT.

TYPICAL INSERTION LOSS
 COMMON MODE 50/50Ω; DIFFERENTIAL MODE 50/50Ω

| MHz | 0.01 | 0.05 | 0.15 | 0.5 | 1 | 3 | 5 | 10 | 30 |
|-----|------|------|------|-----|----|----|----|----|----|
| CM | 2 | 3 | 4 | 11 | 20 | 40 | 35 | 35 | 45 |
| DM | 3 | 4 | 6 | 17 | 27 | 33 | 36 | 38 | 54 |



| | | | | |
|--|--|------------------------------|--|--|
| THIS DRAWING IS A CONTROLLED DOCUMENT. | | DWN SUPREETH R 30MAR2020 | | |
| | | CHK CHRIS BOLLE 30MAR2020 | | |
| | | APVD CHRIS BOLLE 30MAR2020 | NAME POWER LINE FILTER FOR DIN 35 RAIL INSTALLATION 1KEBS1AFPDDM | |
| DIMENSIONS: mm | | PRODUCT SPEC - | SIZE A300779 CAGE CODE C-3-1609965-0 | |
| TOLERANCES UNLESS OTHERWISE SPECIFIED: | | APPLICATION SPEC - | DRAWING NO C-3-1609965-0 | |
| 0 PLC ±- | | WEIGHT - | RESTRICTED TO - | |
| 1 PLC ±0.5 | | SCALE 1:1 SHEET 1 OF 2 REV A | | |
| 2 PLC ±0.40 | | | | |
| 3 PLC ±0.130 | | | | |
| 4 PLC ±0.0500 | | | | |
| ANGLES ±- | | | | |
| MATERIAL - | | CUSTOMER DRAWING | | |
| FINISH - | | | | |

© 2021 TE Connectivity. All Rights Reserved.

NOTE 1 GROUND CONNECTION:
FOR ELECTRICAL SAFETY AND FILTER PERFORMANCE
UNIT MUST HAVE A GOOD GROUND CONNECTION.

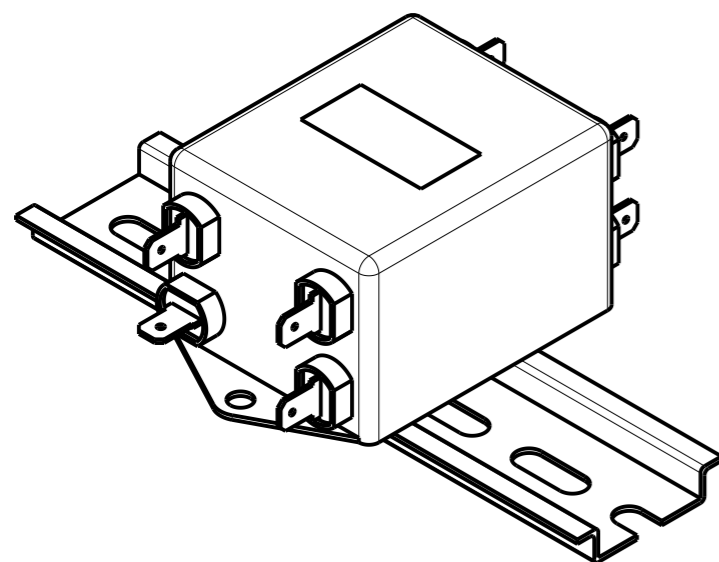
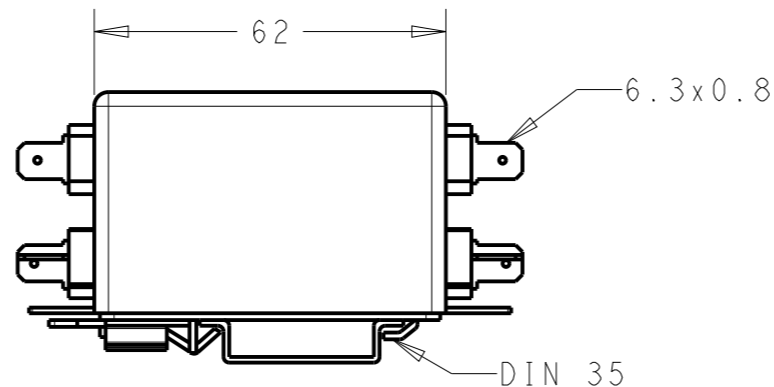
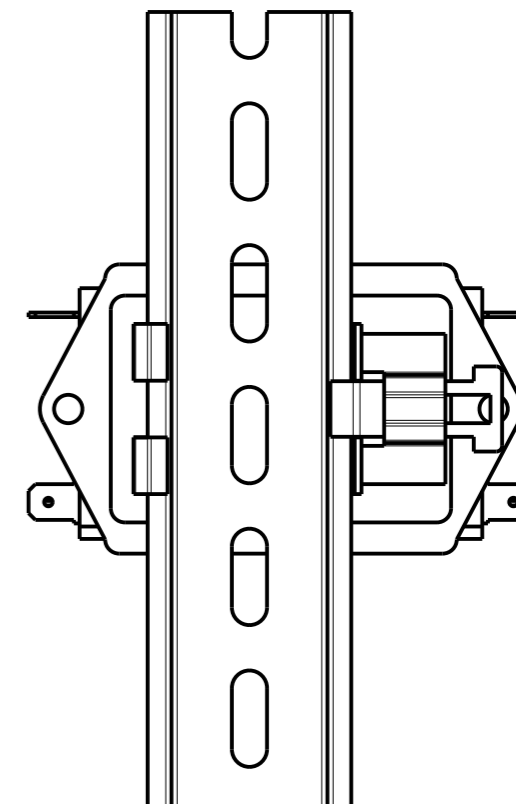
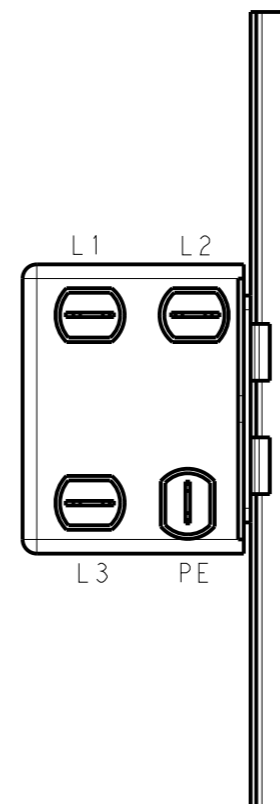
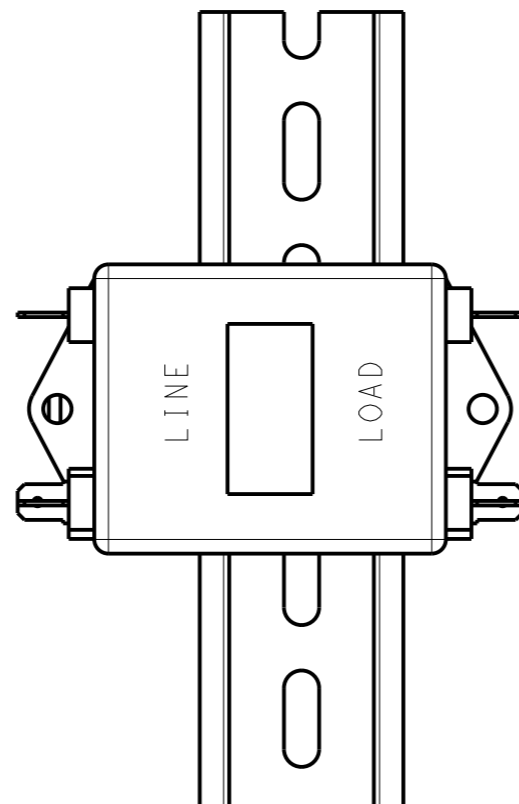
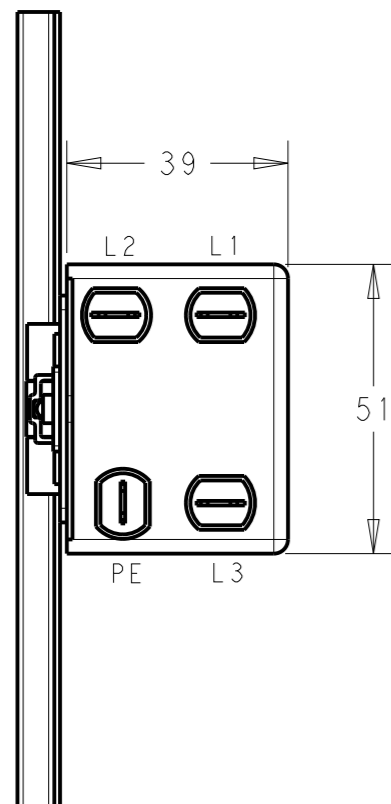
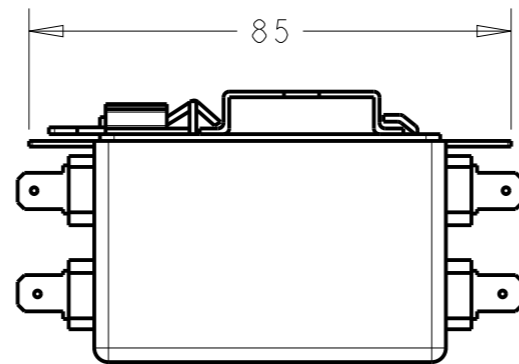
NOTE 2 INPUT OUTPUT CONNECTION TERMINAL
AWG SIZE: XXX

NOTE 3 SUPPLIED WITH DIN RAIL BRACKET

NOTE 4 DRAWING SHOWS DIN RAIL FOR
REFERENCE ONLY.

REVISIONS

| P | LTR | DESCRIPTION | DATE | DWN | APVD |
|---|-----|-------------|------|-----|------|
| | | SEE SHEET 1 | | | |
| | | | | | |
| | | | | | |



THIS DRAWING IS A CONTROLLED DOCUMENT.

| DIMENSIONS: | | TOLERANCES UNLESS OTHERWISE SPECIFIED: | |
|-------------|--------|--|---|
| mm | | | |
| | 0 PLC | ± | |
| | 1 PLC | ±0.5 | |
| | 2 PLC | ±0.40 | |
| | 3 PLC | ±0.130 | |
| | 4 PLC | ±0.0500 | |
| | ANGLES | ± | |
| MATERIAL | - | FINISH | - |
| | - | | - |

| | | |
|------------------|-------------|-----------|
| DWN | SUPREETH R | 30MAR2020 |
| CHK | CHRIS BOLLE | 30MAR2020 |
| APVD | CHRIS BOLLE | 30MAR2020 |
| PRODUCT SPEC | - | |
| APPLICATION SPEC | - | |
| WEIGHT | - | |
| CUSTOMER DRAWING | | |

| | | | |
|---|-----------|-----------------|---------------|
| | | TE Connectivity | |
| NAME POWER LINE FILTER FOR DIN 35 RAIL INSTALLATION 1KEBS1AFPDDM | | | |
| SIZE | CAGE CODE | DRAWING NO | RESTRICTED TO |
| A3 | 00779 | C-3-1609965-0 | - |
| SCALE | | SHEET | REV |
| 3:4 | | 2 OF 2 | A |