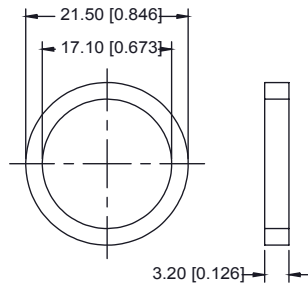
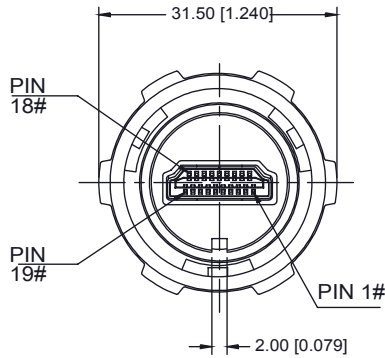
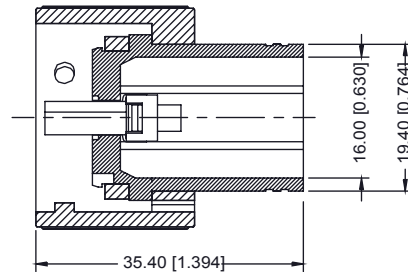
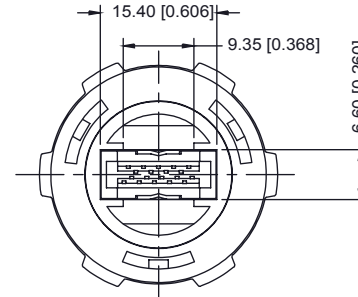
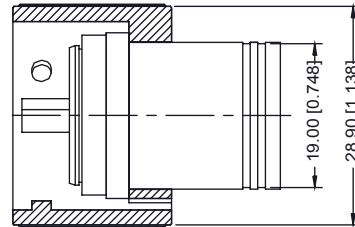
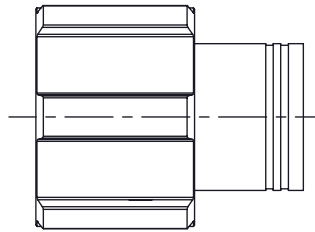




TOLERANCE UNLESS OTHERWISE SPECIFIED IN MM:
 0.0 ± 0.20 ANGLE x°
 0.00 ± 0.10
 0.000 ± 0.05

THIS IS A C.A.D. GENERATED DRAWING
 DO NOT MAKE MANUAL REVISIONS TO MASTER.



O-RING

1. MATERIAL :

- 1-1. EXTERNAL HOUSING : PBT UL94V-0 ; COLOR : BLACK
- 1-2. EXTERNAL NUT : PBT UL94V-0 ; COLOR : BLACK
- 1-3. O-RING : SILICONE ; COLOR : BROWN
- 1-4. HDMI:
 - 1-4-1. FRONT HOUSING: LCP
 - 1-4-2. BACK HOUSING: PBT+GF30%
 - 1-4-3. CONTACT : PHOSPHOR BRONZE
 - 1-4-4. SHELL: BRASS

2. FINISH :

- 2-1. CONTACT : 15 MICRO INCHES MIN. GOLD PLATED
 SOLDER TAILS: TIN 100u"; UNDER PLATE : NICKEL

2-2. SHELL: GOLD FLASH

3. ELECTRICAL SPECIFICATIONS:

- 3-1. WATER PROOF: IPX7

**WATERPROOF HDMI BLACK TYPE A, 180°
 (MALE)**

ACAD REFERENCE NO.: 690-W19-260-011

DRAWN:R.STA.MONICA

DATE: JAN.09/2014

CHECKED:

DATE:

PART NUMBER

690-W19-260-011

SHEET 1 OF 2

DRAWING NUMBER

690-W19-260-011

ISSUE

1



THIS SERIES FULLY CONFORMS TO THE EUROPEAN UNION DIRECTIVES 2011/65/EU FOR RoHS COMPLIANCY.



YOUR CONNECTION TO QUALITY & SERVICE

EDAC INC
 TORONTO, ONTARIO
 CANADA

THESE DRAWINGS AND SPECIFICATIONS ARE THE PROPERTY OF EDAC INC. AND SHALL NOT BE REPRODUCED OR COPIED OR USED AS THE BASIS FOR THE MANUFACTURE OR SALE OF APPARATUS WITHOUT WRITTEN PERMISSION.