

10 9 8 7 6 5 4 3 2 1

F

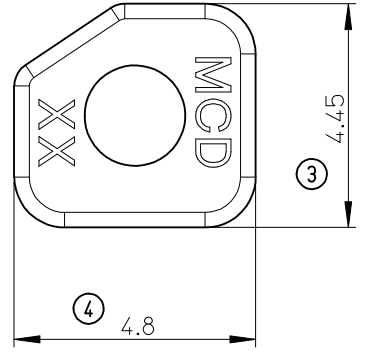
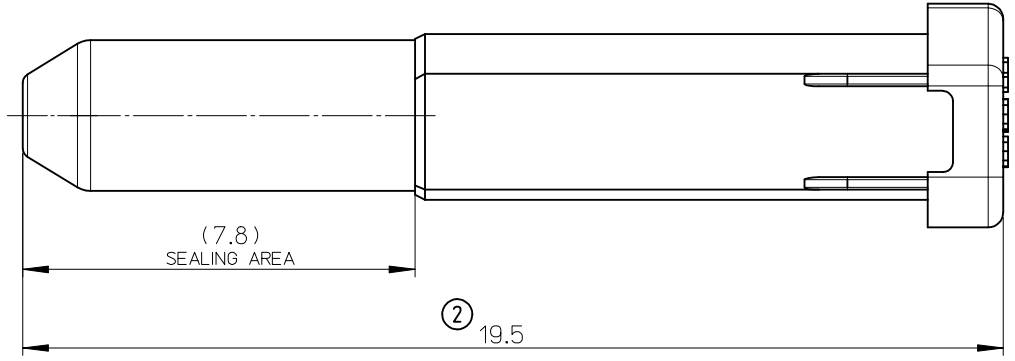
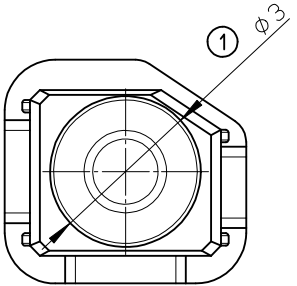
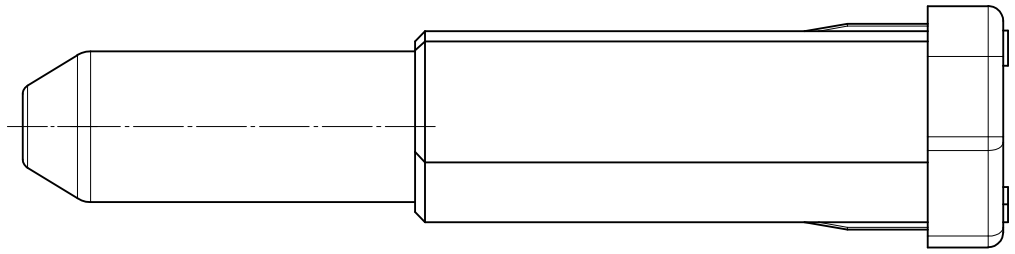
E

D

C

B

A



- NOTE
- GENERAL TOLERANCES
 $<10: \pm 0.3$
 $10 \leq <30: \pm 0.4$
 $30 \leq : \pm 0.5$
 ANGULAR : $\pm 5^\circ$
 - APPLICABLE CONNECTOR
 560151, 560153 SERIES
 - MATERIAL: PBT, GLASS-FILLED
 - COLOR: BLACK
 - NO SCRATCH OR NO CRACK ON SEALING AREA.
 - ELV & RoHS COMPLIANT

RELEASED EC NO: JTR2016-0083 DRWN: SHSHIBATA 2014/08/22 CH'KD: HKOMATSU 2016/03/30 APPR: MAYAMAMOTO 2016/03/30	QUALITY SYMBOLS	GENERAL TOLERANCES (UNLESS SPECIFIED)		DIMENSION STYLE MM ONLY		SCALE 10:1	DESIGN UNITS METRIC	THIRD ANGLE PROJECTION	
	$F_A = 0$	4 PLACES	mm	INCH	DRAWN BY SHSHIBATA	DATE 2014/08/22	TITLE DUMMY PLUG FOR CTX-J280		
	$F_C = 0$	3 PLACES	\pm ---	\pm ---	CHECKED BY HKOMATSU	DATE 2014/08/22			
	$F_P = 0$	2 PLACES	\pm ---	\pm ---	APPROVED BY MAYAMAMOTO	DATE 2016/03/30			
	1 PLACE	\pm ---	\pm ---	MATERIAL NO. 560145-0101		DOCUMENT NO. SD-560145-001	SHEET NO. NIL OF 1		
	0 PLACE	\pm ---	\pm ---	THIS DRAWING CONTAINS INFORMATION THAT IS PROPRIETARY TO MOLEX INCORPORATED AND SHOULD NOT BE USED WITHOUT WRITTEN PERMISSION					
	ANGULAR \pm ---		DRAFT WHERE APPLICABLE MUST REMAIN WITHIN DIMENSIONS						

9 8 7 6 5 4 3 2 1