

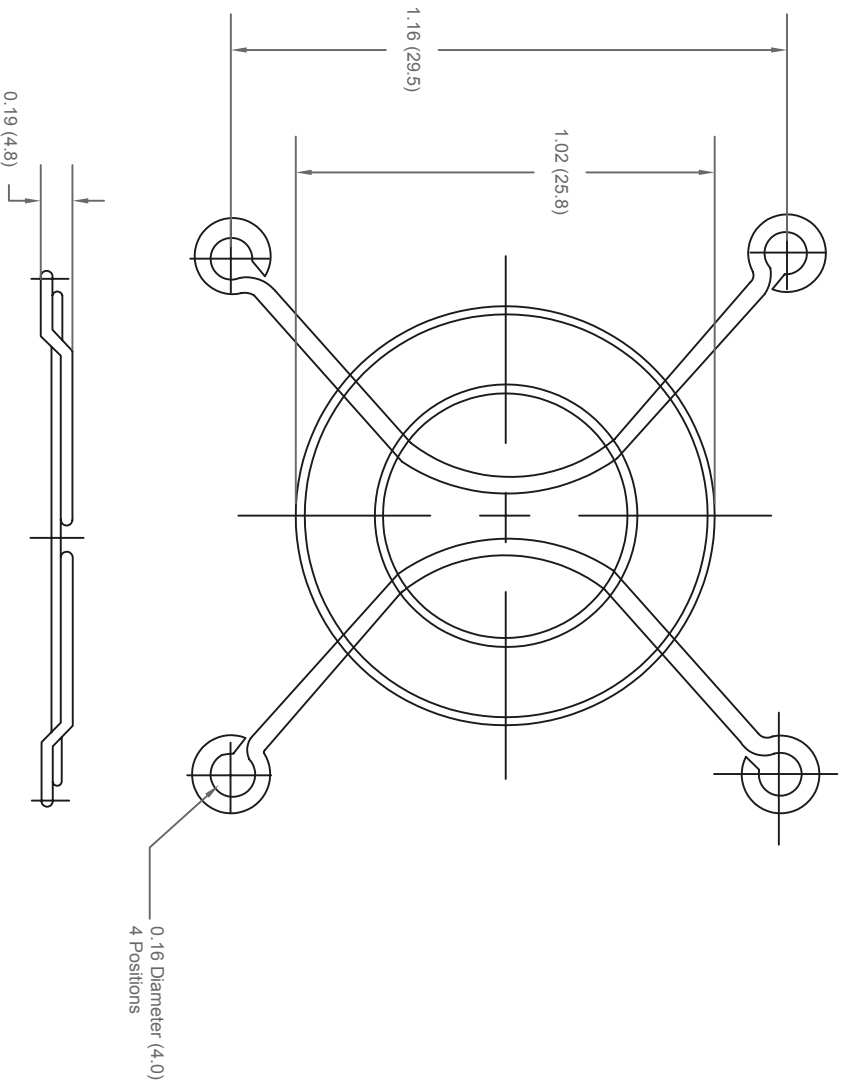
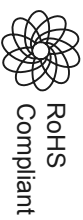
ALL RIGHTS RESERVED. NO PORTION OF THIS PUBLICATION, WHETHER IN WHOLE OR IN PART CAN BE REPRODUCED WITHOUT THE EXPRESS WRITTEN CONSENT OF SPC TECHNOLOGY.

SPC-F005.DWG

REVISIONS

DCP #	REV	DESCRIPTION	DRAWN	DATE	CHECKD	DATE	APPRVD	DATE
			JAG	19-10-10	M/RD	19-10-10	XXX	02-11-10

DOC. NO. SPC-F005 * Effective: 7/8/02 * DCP No: 1398



Notes:

Material : C1008 Steel
 Plating : Bright Nickel Chrome
 Ring Diameter : 1.6mm
 Rib Diameter : 1.6mm

Part Number Table

Description	Part Number
Wire Fan Guard	MC32684

Dimensions : Inches (mm)

TOLERANCES:

UNLESS OTHERWISE SPECIFIED, DIMENSIONS ARE FOR REFERENCE PURPOSES ONLY.

DRAWN BY: JAG **DATE:** 19-10-10

CHECKED BY: MRD **DATE:** 19-10-10

APPROVED BY: XXX **DATE:** 02-11-10

DRAWING TITLE:

Wire Fan Guard

SIZE: A **DWG. NO.:** MC32684

SCALE: NTS

U.O.M.: Millimeters

ELECTRONIC FILE

56P2960

SHEET: 1 OF 1

DISCLAIMER:

ALL STATEMENTS AND TECHNICAL INFORMATION CONTAINED HEREIN ARE BASED UPON INFORMATION AND/OR TESTS WE BELIEVE TO BE ACCURATE AND RELIABLE. SINCE CONDITIONS OF USE ARE BEYOND OUR CONTROL, THE USER SHALL DETERMINE THE SUITABILITY OF THE PRODUCT FOR THE INTENDED USE AND ASSUME ALL RISK AND LIABILITY WHATSOEVER IN CONNECTION THEREWITH.

REV A