

plug-in unit conversion kit for MCCB accessory for: circuit breaker, 4-pole
3VA6 400/600

Model		
product brand name	SENTRON	
product designation	Accessories	
Product version	Plug-in unit	
Accessories	Plug-in unit	
General technical data		
Voltage		
Current		
Mechanical Design		
net weight	1 100 g	
Connections according IEC		
Connections according UL		
Certificates		
General Product Approval	EMC	Declaration of Conformity



[Miscellaneous](#)



Shipping Approval	other
-------------------	-------



[Manufacturer Declaration](#)

[Miscellaneous](#)

Further information

Information- and Downloadcenter (Catalogs, Brochures,...)

<http://www.siemens.com/lowvoltage/catalogs>

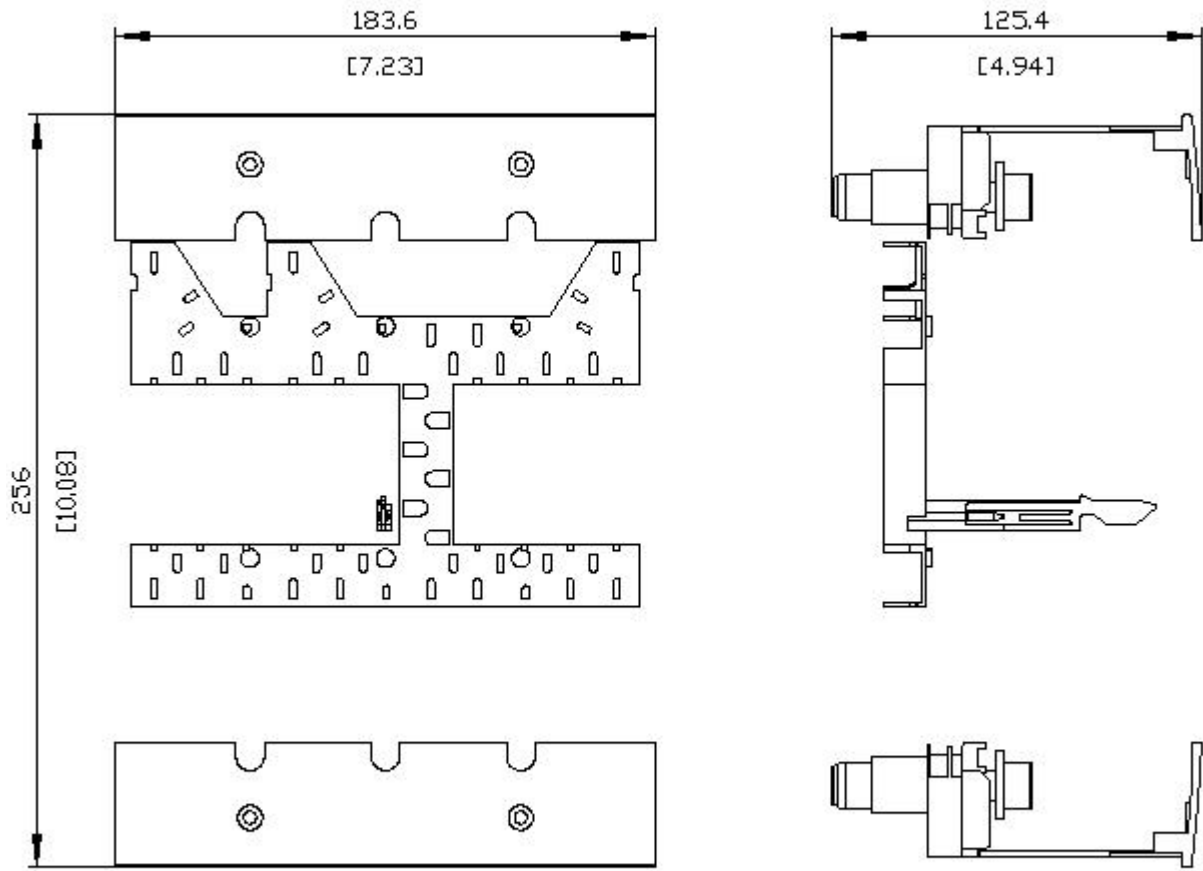
Industry Mall (Online ordering system)

<https://mall.industry.siemens.com/mall/en/en/Catalog/product?mfb=3VA9344-0KP10>

Service&Support (Manuals, Certificates, Characteristics, FAQs,...)

<https://support.industry.siemens.com/cs/ww/en/ps/3VA9344-0KP10>

Image database (product images, 2D dimension drawings, 3D models, device circuit diagrams, ...)



last modified:

12/20/2020 