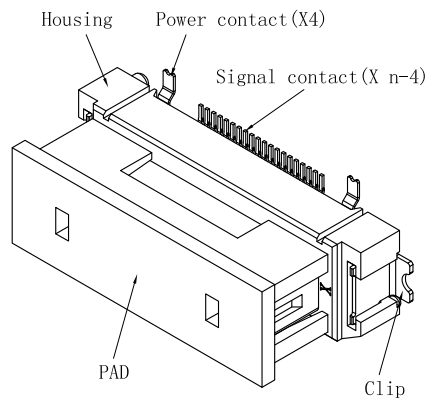
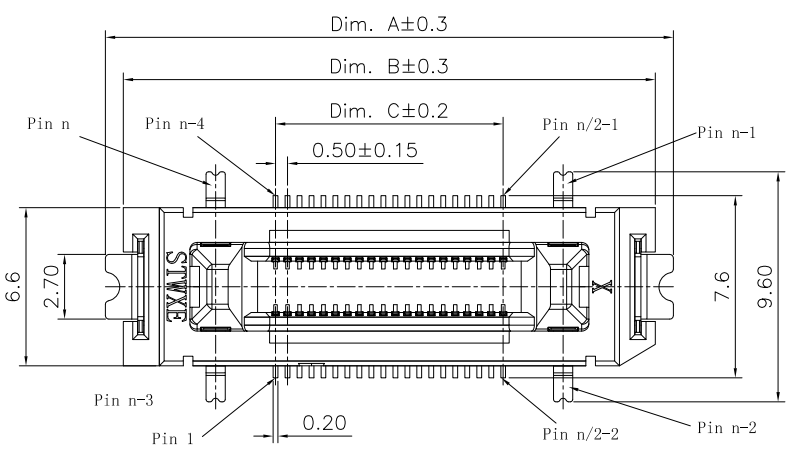


REV.	ECN Number	Description	Drawn
1	CS21040128	RELEASE	Peak_2021.04.28



NOTES:
 1. MATERIAL:
 HOUSING & PAD : HIGH TEMPERATURE PLASTICS UL94V-0.
 CONTACT : COPPER ALLOY.
 CLIP : COPPER ALLOY.
 2. PRODUCT NUMBER MATRIX:

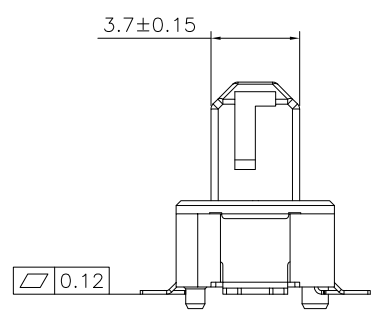
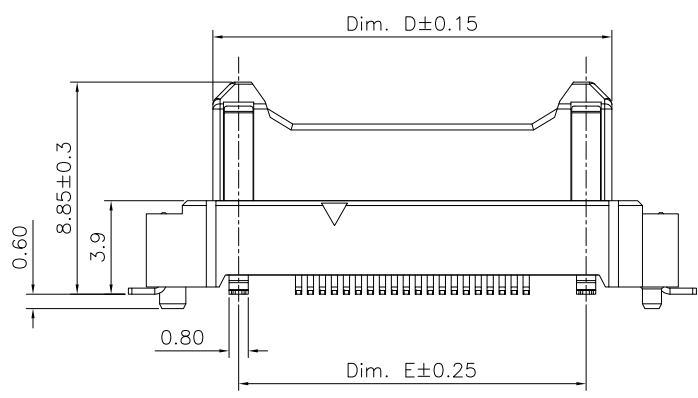
B A 2 1-XX B T-1 B -X F X

BTB Series Code
 0.5 Pitch
 Plug
 Pin No.
 24=24Pin 44=44Pin

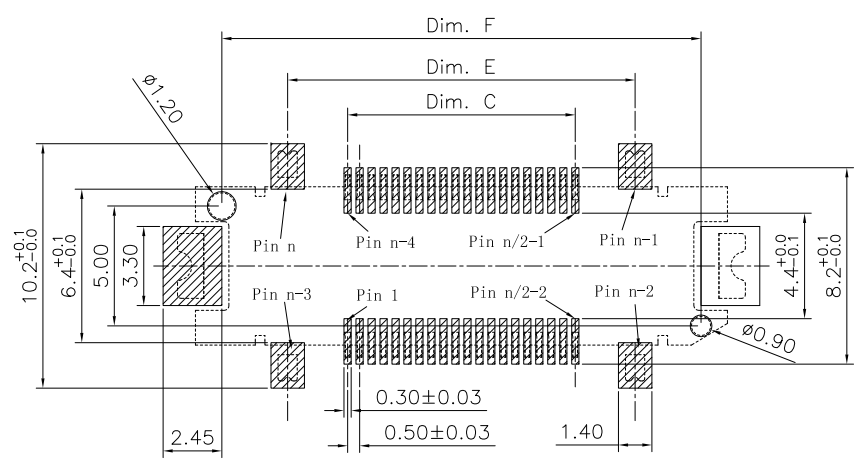
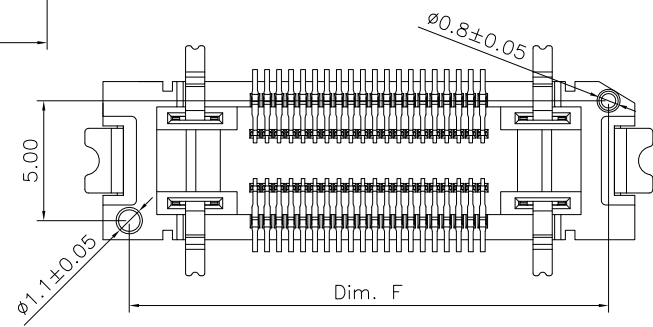
 A4=104Pin C4=124Pin
 Height
 B: H=8.85mm
 Soldering Type T:SMT
 Housing Color
 B:Black

Packing:
 R:Reel+PAD
 L:Hot Sealing Reel+PAD
 F:High Temperature Thermoplastic

Definition	Code
⊙ Gold plated over all	
Flash B	1u" R 3u" C
5u" D	10u" E 15u" F
20u" G	25u" H 30u" J
2u" W	



PIN NO.	DIM. A	DIM. B	DIM. C	DIM. D	DIM. E	DIM. F
24	18.70	17.20	4.50	11.65	9.50	15.00
44	23.70	22.20	9.50	16.65	14.50	20.00
64	28.70	27.20	14.50	21.65	19.50	25.00
84	33.70	32.20	19.50	26.65	24.50	30.00
104	38.70	37.20	24.50	31.65	29.50	35.00
124	43.70	42.20	29.50	36.65	34.50	40.00



RECOMMENDED PCB LAYOUT TOLERANCE ±0.05



TOLERANCE UNLESS OTHERWISE SPECIFIED

X.X	±0.30	X.°	±3°
X.XX	±0.20	X.X°	±2°
X.XXX	±0.10	X.XX°	±1°

SCALE 1:1
 UNIT mm
 SIZE A4

ORIGINAL DRAWN: Peak
 CHECK: Xu peiguang
 APPROVE: Ady Zhou

DATE 2021.04.28
 DATE 2021.04.28
 DATE 2021.04.28

DWG. NO. 600-0000-0562
 PARTS NO. (INTENDED USE) BA21-XXBT-1B-XFX

TITLE 0.5Pitch BTB Plug SMT H8.85mm

REV. 1
 SHEET 1/1