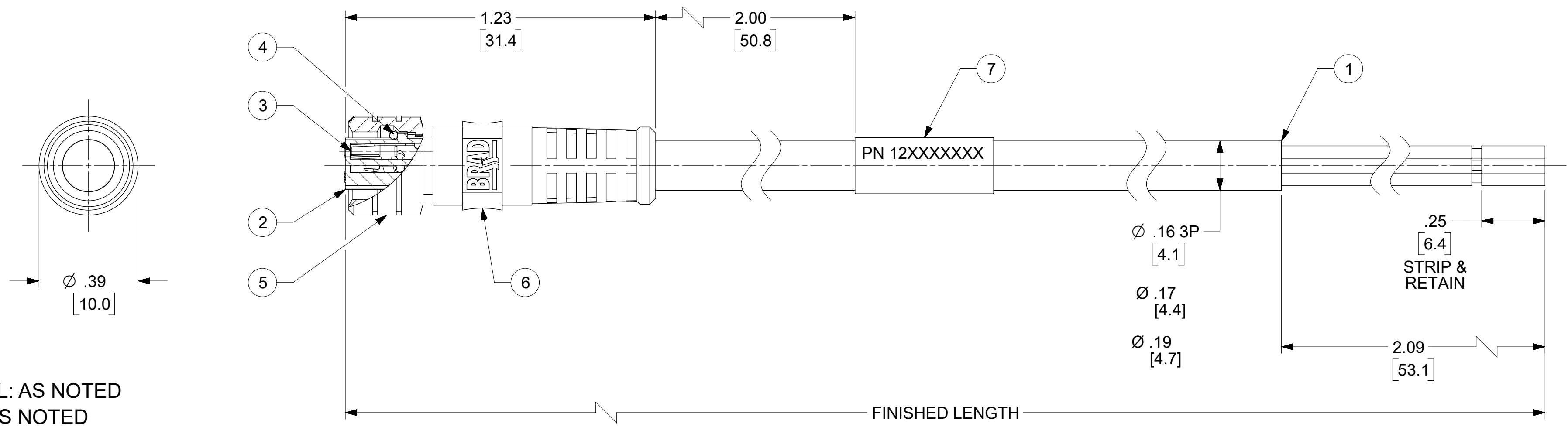


403000H08M030

(A1) POLES: 3, & 4

LENGTH
M001 = .1 METERS
M010 = 1.0 METERS
M100 = 10 METERS

PART NUMBER LEGEND



- NOTES:
1. MATERIAL: AS NOTED
 2. FINISH: AS NOTED
 3. ELECTRICAL:
VOLTAGE: 60VAC, 75VDC 3 & 4 POLE
VOLTAGE: 30VAC, 36VDC 5 POLE
CURRENT: 3A: 3, 4 & 5 POLE
 4. TEMP RATING: -40° TO +80°C (STATIC)
-25° TO +80°C (FLEX)
 5. PROTECTION: IP67 (WHEN MATED)
 6. COUPLING THREAD: M8 X 1.0
 7. UL LISTED FILE E152210, CSA FILE: LR6837
 8. ALL DIMS ARE FOR REFERENCE UNLESS TOLERANCED OR NOTED OTHERWISE

(A1)	PART NO.	ENGINEERING NO.	FINISHED LENGTH
	1200860013	403000H08M005	1 FT 8 IN [0.5M]
	1200860171	404000H08M020	6 FT 7 IN [2M]
	1200860040	404000H08M100	32 FT 10 IN [10M]

ITEM	DESCRIPTION	MATERIAL	FINISH
7	WRAP LABEL	VINYL	BLACK/YELLOW
6	OVERMOLD	TPC	YELLOW
5	COUPLING, FEMALE	BRASS	NICKEL PLATED
4	O-RING	FKM	RED
3	CONTACT SOCKET	Cu ALLOY	GOLD PLATED
2	INSERT, FEMALE	PUR	BLACK
1	CABLE, 24AWG [.25mm ²]	PUR JACKET	BLACK

THIS DRAWING CONTAINS INFORMATION THAT IS PROPRIETARY TO MOLEX ELECTRONIC TECHNOLOGIES, LLC AND SHOULD NOT BE USED WITHOUT WRITTEN PERMISSION

FUNCTIONAL SYMBOLS: FA=0, FC=0, FD=0

DIMENSION UNITS: INCH/MM, SCALE: 3:1

GENERAL TOLERANCES (UNLESS SPECIFIED): 4 PLACES ±, 3 PLACES ±, 2 PLACES ±, 1 PLACE ±, 0 PLACES ±

ANGULAR TOL ± °

THIRD ANGLE PROJECTION

CURRENT REV DESC: UPDATE TITLE BLOCK, ADD P/N TABLE, REMOVE 5 POLE FACE VIEW

EC NO: 767563
DRWN: RSTONE 2023/10/31
CHK'D: HENRYB1 2023/10/31
APPR: BWOODMAN 2023/10/31

INITIAL REVISION:
DRWN: R. STONE 2023/08/18
APPR: B.WOODMAN

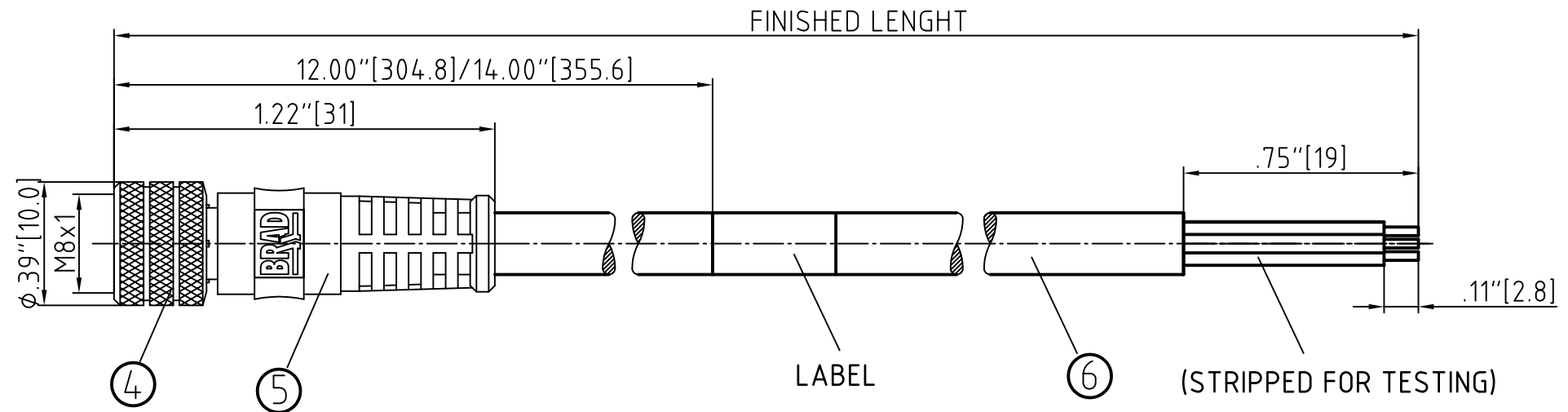
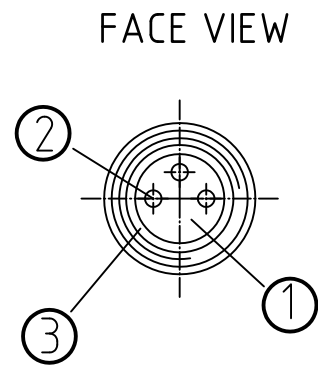
molex

NANO-CHANGE M8 STRAIGHT CABLE ASSEMBLY
FEMALE 24AWG [.25MM²], PUR JACKET - H08 CABLE

PRODUCT CUSTOMER DRAWING

DOCUMENT NUMBER: 1200860012, DOC TYPE: PSD, DOC PART: 000, REVISION: A1

MATERIAL NUMBER: SEE P/N TABLE, CUSTOMER: GENERAL MARKET, SHEET NUMBER: 1 OF 1



FEMALE FACE VIEW		
3-POLE	4-POLE	5-POLE
1 BROWN 3 BLUE 4 BLACK	1 BROWN 2 WHITE 3 BLUE 4 BLACK	1 BROWN 2 WHITE 3 BLUE 4 BLACK 5 GREY

POLE	MATERIAL NUMBER	ENGINEERING NUMBER	FINISHED LENGHT IN/MM
3	1200860336	403000B09M020	6.56' +3.50" -0 [2.0M +88.9 -0]
3	1200860115	403000B09M050	16.40' +6.50" -0 [5.0M +165.1 -0]
3	1200860016	403000B09M100	32.81' +12.50" -0 [10.0M +317.5 -0]
4	1200860171	404000B09M020	6.56' +3.50" -0 [2.0M +88.9 -0]
4	1200860173	404000B09M050	16.40' +6.50" -0 [5.0M +165.1 -0]
4	1200860040	404000B09M100	32.81' +12.50" -0 [10.0M +317.5 -0]
5	1200860196	405000B09M020	6.56' +3.50" -0 [2.0M +88.9 -0]
5	1200860197	405000B09M050	16.40' +6.50" -0 [5.0M +165.1 -0]

CONNECTOR SPECIFICATION:	
VOLTAGE RATING	3-4POL:60V/AC 75V/DC 5-POL: 30V/AC 36V/DC
AMPERAGE RATING	3 AMPS
PROTECTION	IP68
OPERATING TEMPERATURE	-25°C TO 80°C
UL CERTIFICATIONS	UL listed, File #E152210
CSA CERTIFICATIONS	CSA CERTIFIED, File LR6837

ITEM	COMPONENT	MATERIAL	FINISH
1	INSERT	POLYURETHANE (PUR)	BLACK
2	CONTACT SOCKET	COPPER ALLOY	GOLD OVER NICKEL
3	O-RING	VITON	RED
4	COUPLING NUT	BRASS	NICKEL PLATED
5	OVERMOLD	TPE	YELLOW
6	CABLE- 24 AWG, (COPPER STRANDING) 3/4/5 CONDUCT. 300V	JACKET: PUR	YELLOW

DESCRIPTION EC NO.: WEU2010-0250 DRWN: REISSNER CH'KD: FP APPR: NSTAUDIG 22.12.09 2008/10/02 2010/01/26	QUALITY SYMBOLS ▽ = 0 ▽/C = 0	GENERAL TOLERANCES (UNLESS SPECIFIED)		DIMENSION STYLE IN/MM		SCALE 2:1	DESIGN UNITS METRIC	THIRD ANGLE PROJECTION
		4 PLACES ±--- ±--- 3 PLACES ±--- ±--- 2 PLACES ±--- ±.01 1 PLACE ±0.3 ±--- ANGULAR ± --- °	DRAWN BY RE	DATE 2009/12/22	NC 3/4/5P FE STR 24AWG PUR ----			
		DRAFT WHERE APPLICABLE MUST REMAIN WITHIN DIMENSIONS	CHECKED BY FP	DATE 2010/01/20				
		1	REV	APPROVED BY NSTAUDIG	DATE 2010/01/25	MATERIAL NO. SEE TABLE	DOCUMENT NO. SD-120086-017	SHEET NO. 1