

3-160256-1 ✓ ACTIVE

FASTON | FASTON 250

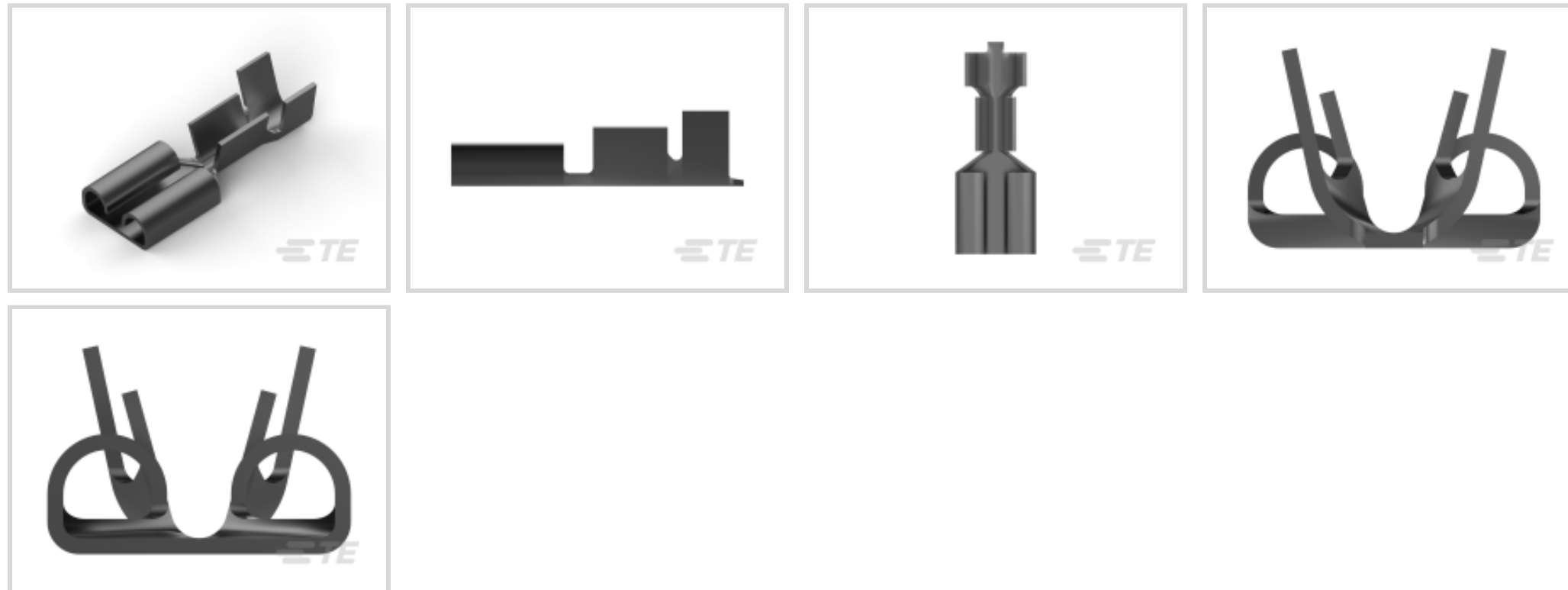
TE Internal #: 3-160256-1

Receptacle, 17 – 14 AWG Wire Size, 1 – 2.5 mm² Wire Size, Mating Tab Width 6.35 mm [.25 in], Straight, Phosphor Bronze, FASTON 250, Quick Disconnects

[View on TE.com >](#)



Terminals & Splices > Quick Disconnects



Quick Disconnect Terminal Type: **Receptacle**

Wire Size: 1 – 2.5 mm²

Mating Tab Width: 6.35 mm [.25 in]

Mating Tab Thickness: .81 mm [.032 in]

Features

Product Type Features

Insertion Force	Normal
-----------------	--------

Configuration Features

Connection Capacity	Single
Compatible With Wire & Cable Type	Discrete Wire

Contact Features

Quick Disconnect Terminal Type	Receptacle
Mating Tab Width	6.35 mm [.25 in]
Mating Tab Thickness	.81 mm [.032 in]
Terminal Orientation	Straight
Contact Base Material	Phosphor Bronze
Terminal Plating Material	Tin
Crimp Type	F-Crimp
Barrel Type	Open

Termination Features



Product Terminates To	Wire & Cable
-----------------------	--------------

Mechanical Attachment

Extraction Force	80 Newton
------------------	-----------

Wire Insulation Support	With
-------------------------	------

Mating Retention Type	Dimple
-----------------------	--------

Dimensions

Terminal Material Thickness	.41 mm [.016 in]
-----------------------------	------------------

Product Length	19 mm [.748 in]
----------------	-----------------

Compatible Insulation Diameter Range	3 – 4.3 mm [.118 – .169 in]
--------------------------------------	-----------------------------

Wire Size	1 – 2.5 mm ²
-----------	-------------------------

Usage Conditions

Insulation Option	Uninsulated
-------------------	-------------

Operating Temperature Range	-40 – 110 °C [-40 – 230 °F]
-----------------------------	-----------------------------

Industry Standards

Compatible With Agency/Standards Products	CSA, UL
---	---------

Packaging Features

Packaging Quantity	7000
--------------------	------

Packaging Method	Strip/Reel
------------------	------------

Other

Line	Premier
------	---------

Product Compliance

[For compliance documentation, visit the product page on TE.com>](#)

EU RoHS Directive 2011/65/EU	Compliant
------------------------------	-----------

EU ELV Directive 2000/53/EC	Compliant
-----------------------------	-----------

China RoHS 2 Directive MIIT Order No 32, 2016	No Restricted Materials Above Threshold
---	---

EU REACH Regulation (EC) No. 1907/2006	Current ECHA Candidate List: JUNE 2024 (241) Candidate List Declared Against: JUNE 2024 (241) Does not contain REACH SVHC
--	---

Halogen Content	Low Halogen - Br, Cl, F, I < 900 ppm per homogenous material. Also BFR/CFR/PVC Free
-----------------	---

Solder Process Capability

Not applicable for solder process capability

Product Compliance Disclaimer

This information is provided based on reasonable inquiry of our suppliers and represents our current actual knowledge based on the information they provided. This information is subject to change. The part numbers that TE has identified as EU RoHS compliant have a maximum concentration of 0.1% by weight in homogenous materials for lead, hexavalent chromium, mercury, PBB, PBDE, DBP, BBP, DEHP, DIBP, and 0.01% for cadmium, or qualify for an exemption to these limits as defined in the Annexes of Directive 2011/65/EU (RoHS2). Finished electrical and electronic equipment products will be CE marked as required by Directive 2011/65/EU. Components may not be CE marked. Additionally, the part numbers that TE has identified as EU ELV compliant have a maximum concentration of 0.1% by weight in homogenous materials for lead, hexavalent chromium, and mercury, and 0.01% for cadmium, or qualify for an exemption to these limits as defined in the Annexes of Directive 2000/53/EC (ELV). Regarding the REACH Regulation, the information TE provides on SVHC in articles for this part number is based on the latest European Chemicals Agency (ECHA) 'Guidance on requirements for substances in articles' posted at this URL: <https://echa.europa.eu/guidance-documents/guidance-on-reach>

Compatible Parts



TE Part # 2376595-2
250 FASTON PCB TAB TPBR



TE Part # 180397-5
250 FASTON, FLAG, REC., 17-14 AWG, TPPB



TE Part # 2150234-1
OCEAN_2.0_APPLICATOR-E-110F180F-REM



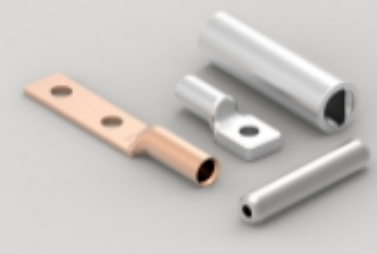
TE Part # 2150234-2
OCEAN_2.0_APPLICATOR-E-110F180F-REA



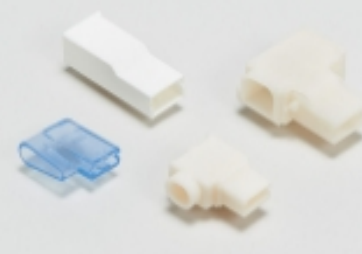
KIT
REPRESENTATION ONLY

TE Part # 7-2150234-7
OCEAN_2.0_SPARE_PART_KIT-110F180F


Also in the Series | FASTON 250



Compression Connectors(4)



Crimp Terminal Housings(132)



Insertion & Extraction Tools(6)



Magnet Wire Terminals(1)



PCB Terminals(134)



Quick Disconnects(426)



Splices(4)

Customers Also Bought



TE Part #1863003-1
09P UMNL PLUG HSG



TE Part #61588-1
RING 22-16 AWG TPBR



TE Part #2232327-1
CLUSTER BLOCK HSG .090 DIA



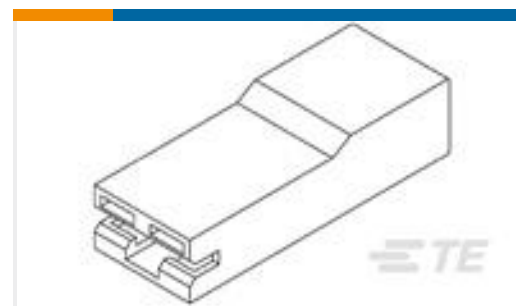
TE Part #9-1768017-1
EET-0820G-4



TE Part #8-735075-0
250 FASTON HSG. REC. 1P NATURAL



TE Part #1217113-1
PL 187 TERMINAL RECEPTACLE 22-18 AWG BR



TE Part #521120-7
PL 250 HOUSING RECEPTACLE NYLON 6/6



TE Part #2232326-2
CLUSTER BLOCK HSG .090 DIA



TE Part #6-1437139-7
FSN-21A-10=NOMEX FS STD



TE Part #926983-2
CI 2 STIFT

Documents

Product Drawings

[250 FASTON,REC.,17-14 AWG,TPPB](#)

English

CAD Files

[Customer View Model](#)

[ENG_CVM_CVM_3-160256-1_CT.2d_dxf.zip](#)

English

[3D PDF](#)



3D

Customer View Model

[ENG_CVM_CVM_3-160256-1_CT.3d_igs.zip](#)

English

Customer View Model

[ENG_CVM_CVM_3-160256-1_CT.3d_stp.zip](#)

English

By downloading the CAD file I accept and agree to the [Terms and Conditions](#) of use.

Datasheets & Catalog Pages

[1654742_HOUSEHOLD_APPLIANCES_RAST5](#)

English

Product Specifications

[Application Specification](#)

English

Agency Approvals

[UL Report](#)

English