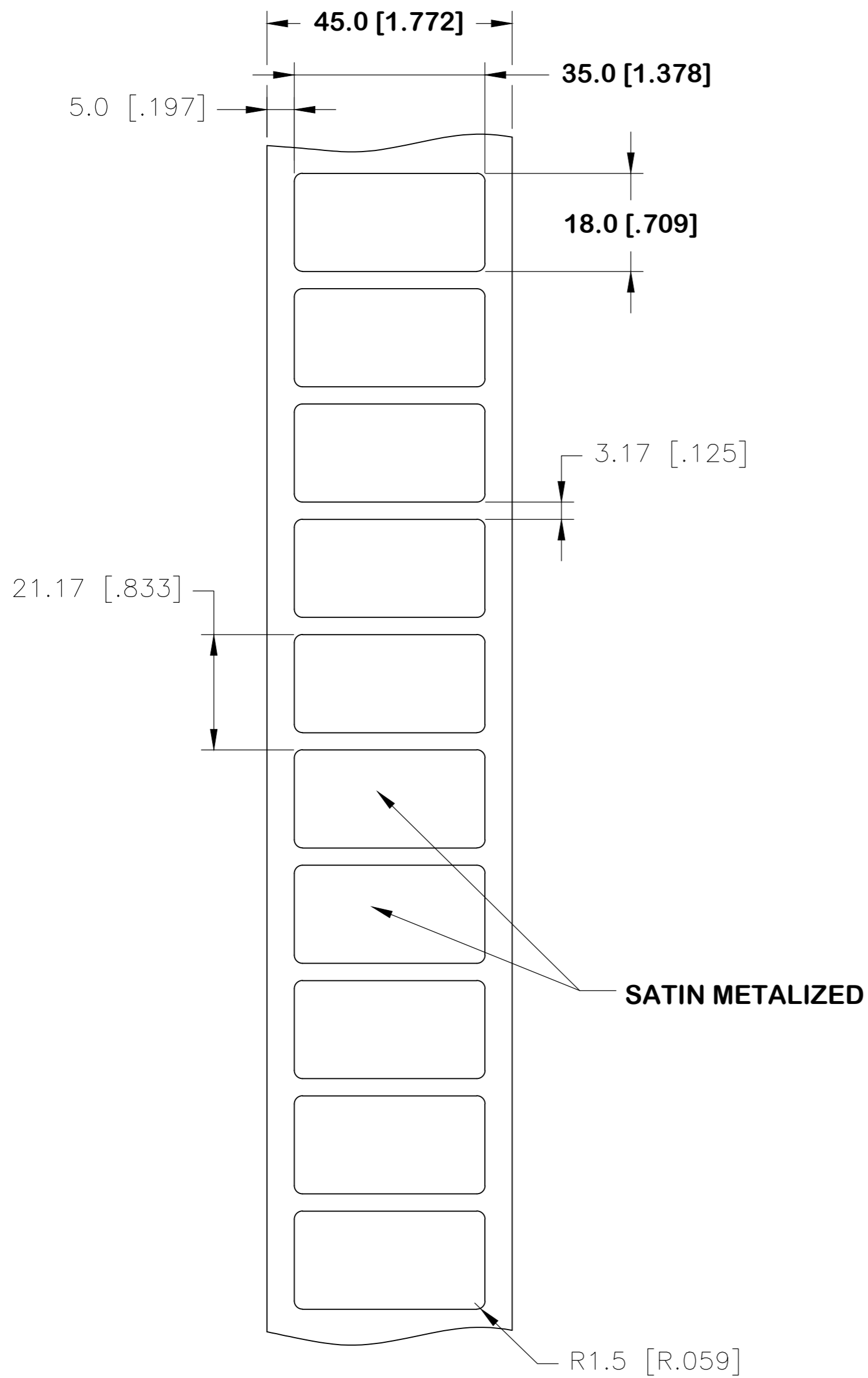
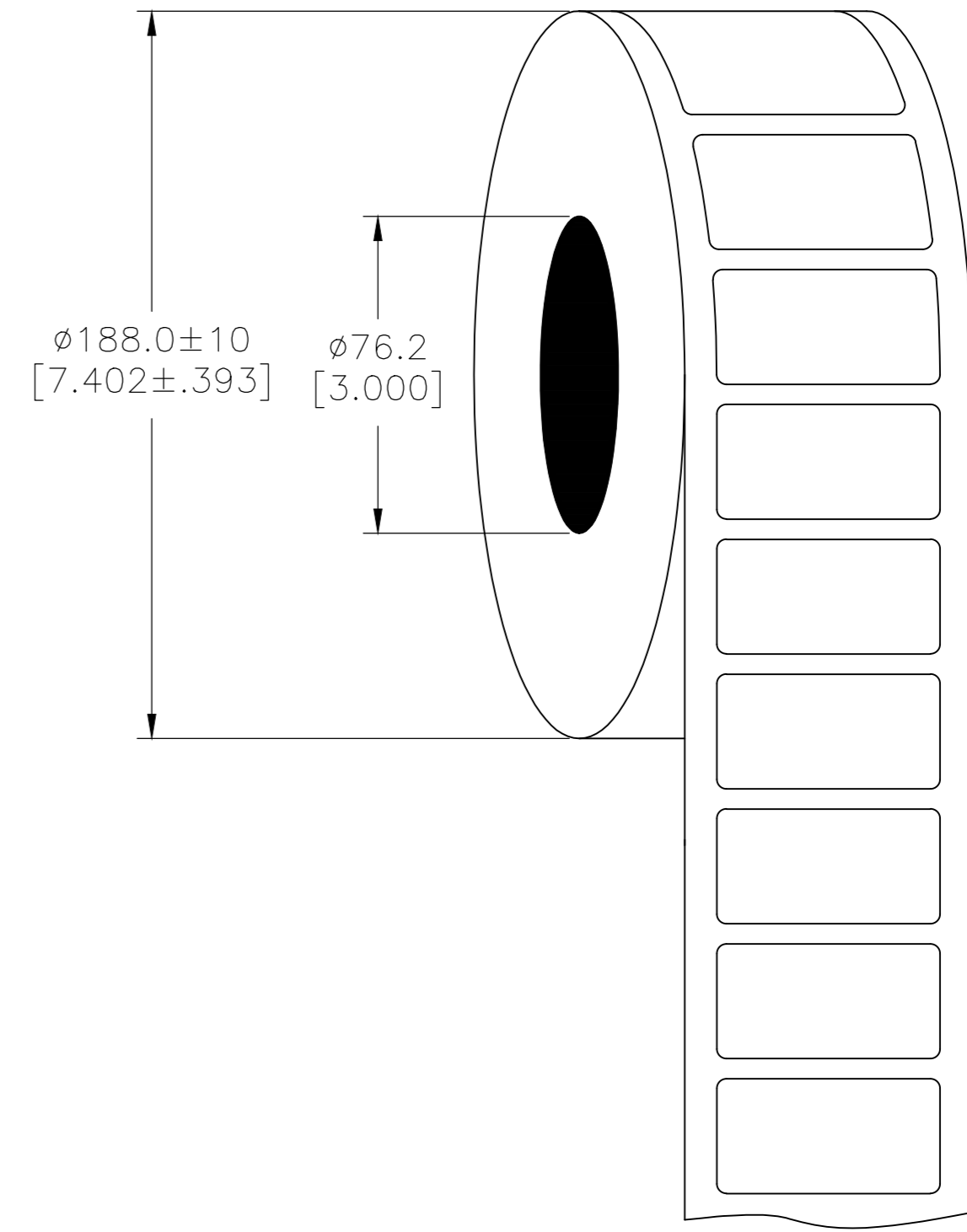


REVISIONS					
P	LTR	DESCRIPTION	DATE	DWN	APVD
	A	NEW DRAWING	07OCT2017	GK	DB
	A1	UL TABLE UPDATED	06JUN2018	GK	DB

### LABEL AND LINER DESIGN



### PRESENTATION



All dimensions in mm [Inch]

**TE PN: 2322584-1**

UL-MARKING AND LABELLING SYSTEMS	
PGJ12 - Printing Materials - Component (UL 969)	
PGJ18 - Printing Materials Certified for Canada - Component (CSA C22.2 No. 0.15)	
File: MH17292	Product design: <b>PL-8A</b> Ribbon: TTB-XXXSC/YYYYAQ529

TOLERANCES mm [INCH]	
LABEL HEIGHT:	$\pm 0.3$ [.012]
LABEL WIDTH:	$\pm 0.3$ [.012]
WEB WIDTH:	$\pm 0.5$ [.020]
VERTICAL REPEAT:	$\pm 0.5$ [.020]*
HORIZONTAL REPEAT:	$\pm 0.5$ [.020]*
LABEL POSITIONING:	$\pm 0.5$ [.020]*
LEFT MARGIN:	$\pm 0.5$ [.020]
QUANTITY:	-0 % +2 %
*NON ACCUMULATING	

MATERIAL		POLYESTER SATIN METALIZED	
ADHESIVE TYPE		ACRYLIC PE FOAM	
LINEAR		BROWN KRAFT	
DWN	GOPALAKRISHNA HV		
CHK	D.BURGAT		
APVD	D.BURGAT	NAME	
PRODUCT SPEC		PANEL LABEL-SATIN METALIZED	
APPLICATION SPEC		35.0 x 18.0mm [1.378 x 0.709inch]	
WEIGHT	0.297g	SIZE	A2
CUSTOMER DRAWING		CAGE CODE	FB1U7
SCALE		DRAWING NO	PL-035018-1.25-8A
SHEET		RESTRICTED TO	-
1 of 1		REV	A1

# Mouser Electronics

Authorized Distributor

Click to View Pricing, Inventory, Delivery & Lifecycle Information:

[TE Connectivity:](#)

[2322584-1](#)