

THIS DRAWING IS UNPUBLISHED.

RELEASED FOR PUBLICATION

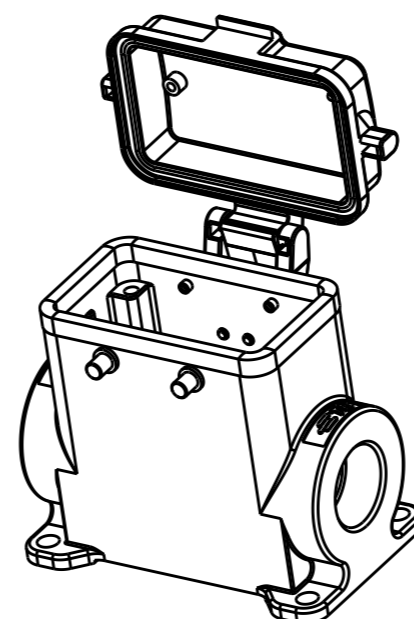
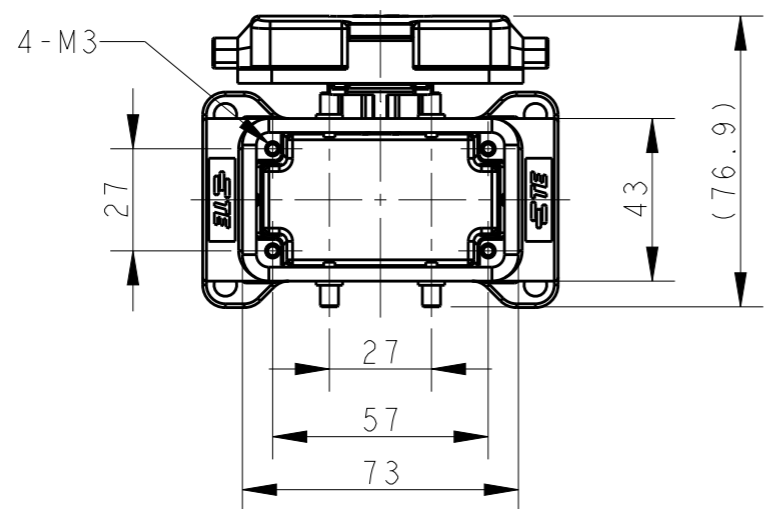
20

© COPYRIGHT 20 BY -

ALL RIGHTS RESERVED.

REVISIONS

| P | LTR | DESCRIPTION | DATE | DWN | APVD |
|---|-----|-----------------|-----------|-----|------|
| | A | INITIAL RELEASE | 25JUN2015 | DL | CW |
| | | | | | |
| | | | | | |

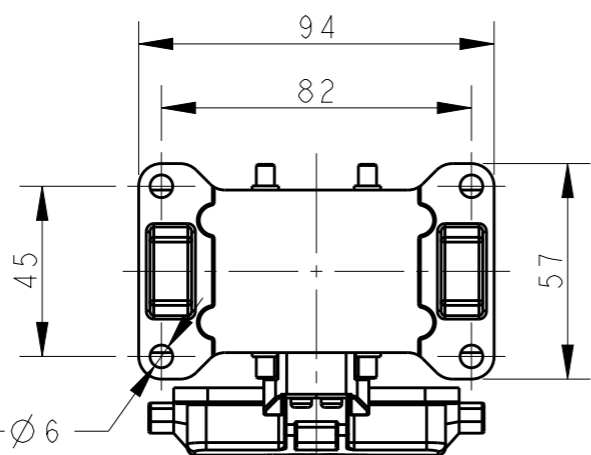
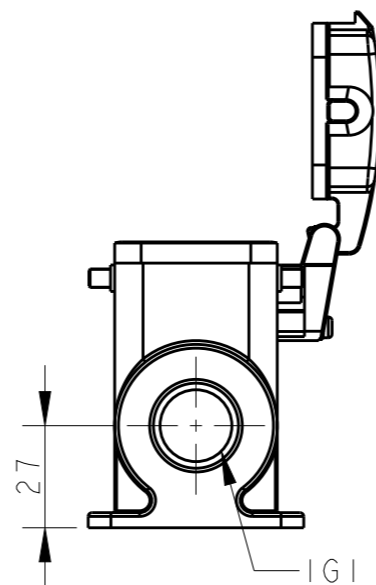
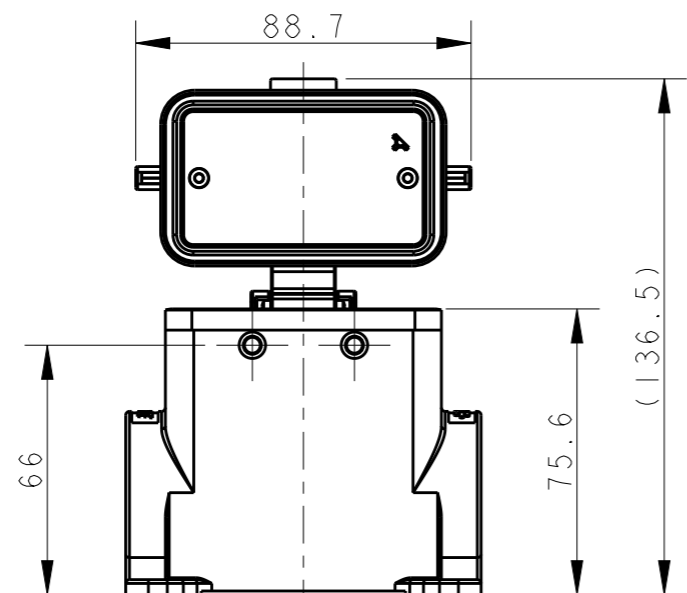
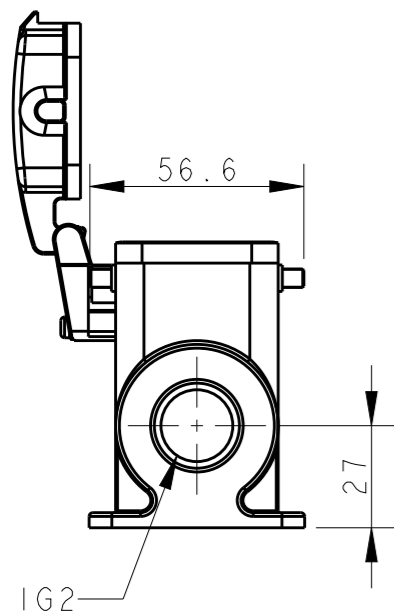


NOTES:

- 1. TECHNICAL CHARACTERISTICS:
 BODY MATERIAL: DIE CAST ALUMINIUM ALLOY
 SURFACE TREATMENT: POWDER-COATED, GRAY
 OPERATION TEMPERATURE: -40-+125°C
 DEGREE OF PROTECTION: IP65 (MATED)


注释:

- 1. 技术参数:
 主体材料: 铝合金
 表面处理: 粉末喷涂, 灰色
 工作温度: -40-+125°C
 防护等级: IP65(配合)



TYPE I: HIGH BODY + PLASTIC PROTECTION COVER

| | | | | |
|----------------------|--------|---------------------------|------|------|
| T1490100121-000 | TYPE I | H10B-SDRH-BO-PG21 | PG21 | - |
| T1490100125-000 | | H10B-SDRH-BO-M25 | M25 | - |
| T1490100129-000 | | H10B-SDRH-BO-PG29 | PG29 | - |
| T1490100132-000 | | H10B-SDRH-BO-M32 | M32 | - |
| T1490100221-000 | | H10B-SDRH-BO-2PG21 | PG21 | PG21 |
| T1490100229-000 | | H10B-SDRH-BO-2PG29 | PG29 | PG29 |
| T1490100232-000 | | H10B-SDRH-BO-2M32 | M32 | M32 |
| ASSEMBLY PART NUMBER | TYPE | ASSEMBLY PART DESCRIPTION | IG1 | IG2 |

| | | | | | |
|---|--|------------------|------------|---|------------------|
| THIS DRAWING IS A CONTROLLED DOCUMENT. | | DWN | 25JUN2015 |  TE Connectivity | |
| DIMENSIONS: mm | | DAVID LI | 25JUN2015 | | |
| TOLERANCES UNLESS OTHERWISE SPECIFIED: | | CHK | CHRIS WANG | | |
| 0 PLC ±- 1 PLC ±- 2 PLC ±- 3 PLC ±- 4 PLC ±- ANGLES ±- | | APVD | XU XIANG | | |
| MATERIAL TBD | | PRODUCT SPEC | 108-137013 | NAME H10B-SDRH-BO-PG/M | |
| FINISH - | | APPLICATION SPEC | 114-137013 | SIZE | A3 |
| | | WEIGHT | - | CAGE CODE | - |
| | | CUSTOMER DRAWING | | DRAWING NO | ©-T149010XXXX000 |
| | | | | RESTRICTED TO | - |
| | | | | SCALE | 1:2 |
| | | | | SHEET | 1 OF 2 |
| | | | | REV | A |

THIS DRAWING IS UNPUBLISHED.

RELEASED FOR PUBLICATION

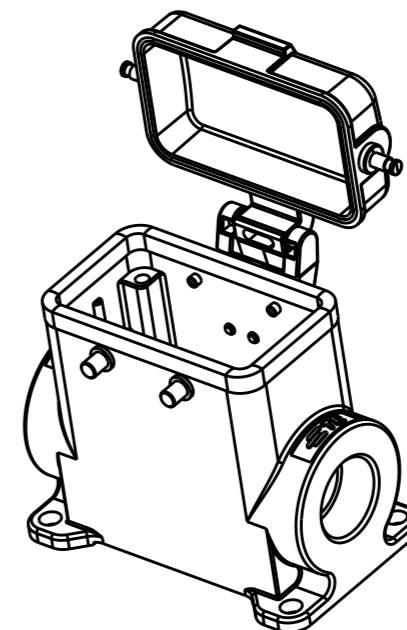
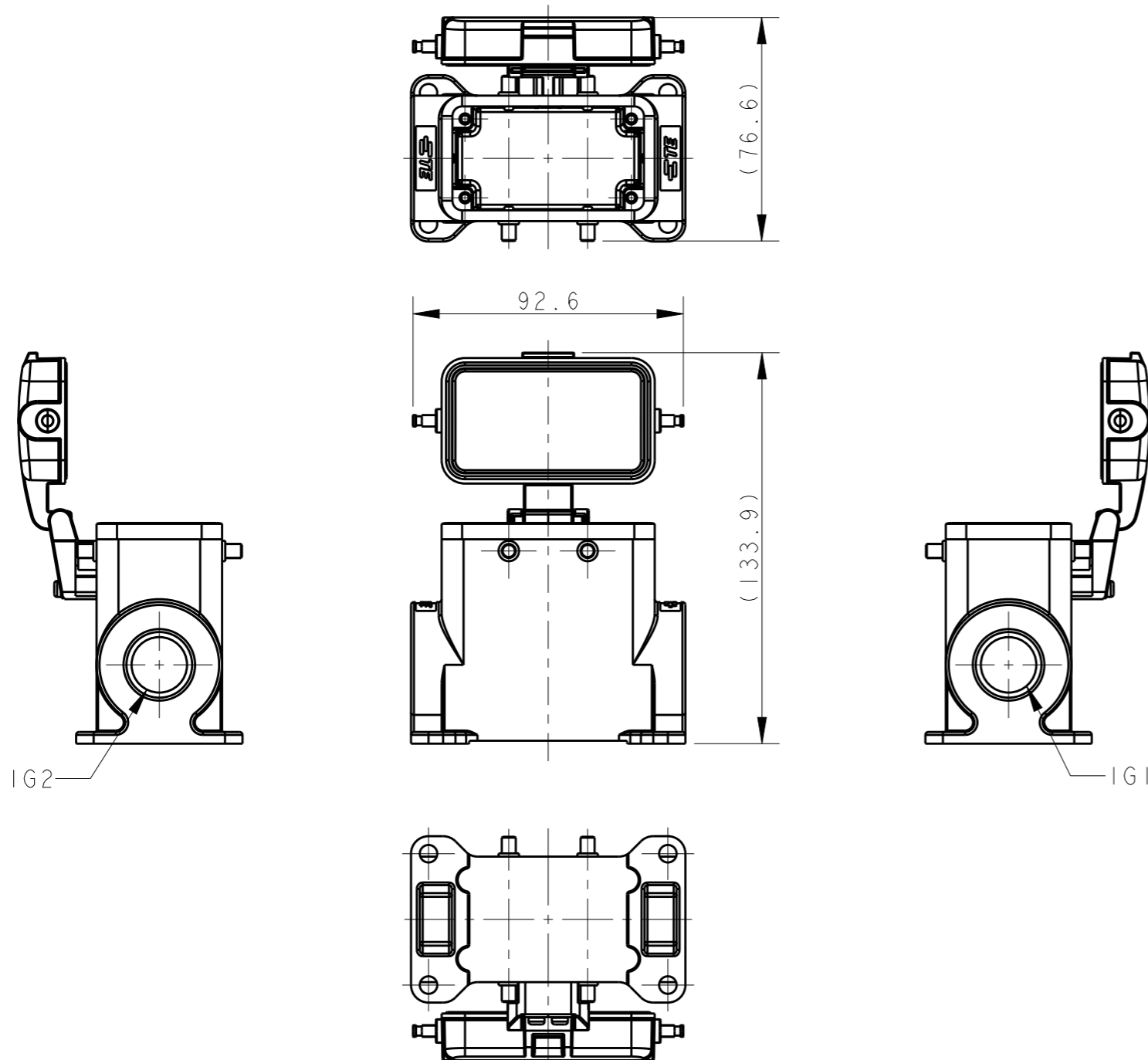
20

© COPYRIGHT 20 BY -

ALL RIGHTS RESERVED.

REVISIONS


| P | LTR | DESCRIPTION | DATE | DWN | APVD |
|---|-----|-------------|------|-----|------|
| | - | SEE SHEET 1 | - | - | - |
| | | | | | |
| | | | | | |



TYPE 2: HIGHT BODY + METAL PROTECTION COVER

OTHER SPEC REFER TO TYPE 1

| | | | | |
|----------------------|--------|---------------------------|------|------|
| T1490101121-000 | TYPE 2 | H10B-SDRMH-BO-PG21 | PG21 | - |
| T1490101129-000 | | H10B-SDRMH-BO-PG29 | PG29 | - |
| T1490101132-000 | | H10B-SDRMH-BO-M32 | M32 | - |
| T1490101221-000 | | H10B-SDRMH-BO-2PG21 | PG21 | PG21 |
| T1490101229-000 | | H10B-SDRMH-BO-2PG29 | PG29 | PG29 |
| T1490101232-000 | | H10B-SDRMH-BO-2M32 | M32 | M32 |
| ASSEMBLY PART NUMBER | TYPE | ASSEMBLY PART DESCRIPTION | IG1 | IG2 |

| | | | | |
|---|--|--------------------------------|---|----------------|
| THIS DRAWING IS A CONTROLLED DOCUMENT. | | DWN DAVID LI 25JUN2015 |  TE Connectivity | |
| DIMENSIONS: mm | | CHK CHRIS WANG 25JUN2015 | | |
| TOLERANCES UNLESS OTHERWISE SPECIFIED: | | APVD XU XIANG 25JUN2015 | NAME H10B-SDRMH-BO-PG/M | |
| 0 PLC ±- 1 PLC ±- 2 PLC ±- 3 PLC ±- 4 PLC ±- ANGLES ±- | | PRODUCT SPEC 108-137013 | RESTRICTED TO | |
| MATERIAL TBD | | APPLICATION SPEC 114-137013 | SIZE A3 | CAGE CODE - |
| FINISH - | | WEIGHT - | DRAWING NO C-T149010XXXX000 | SCALE 1:2 |
| | | CUSTOMER DRAWING | SHEET 2 OF 2 | REV A |

Mouser Electronics

Authorized Distributor

Click to View Pricing, Inventory, Delivery & Lifecycle Information:

[TE Connectivity:](#)

[T1490101229-000](#)