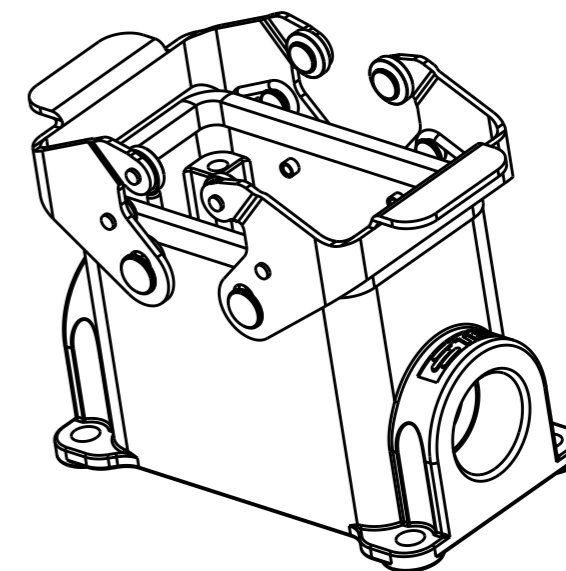
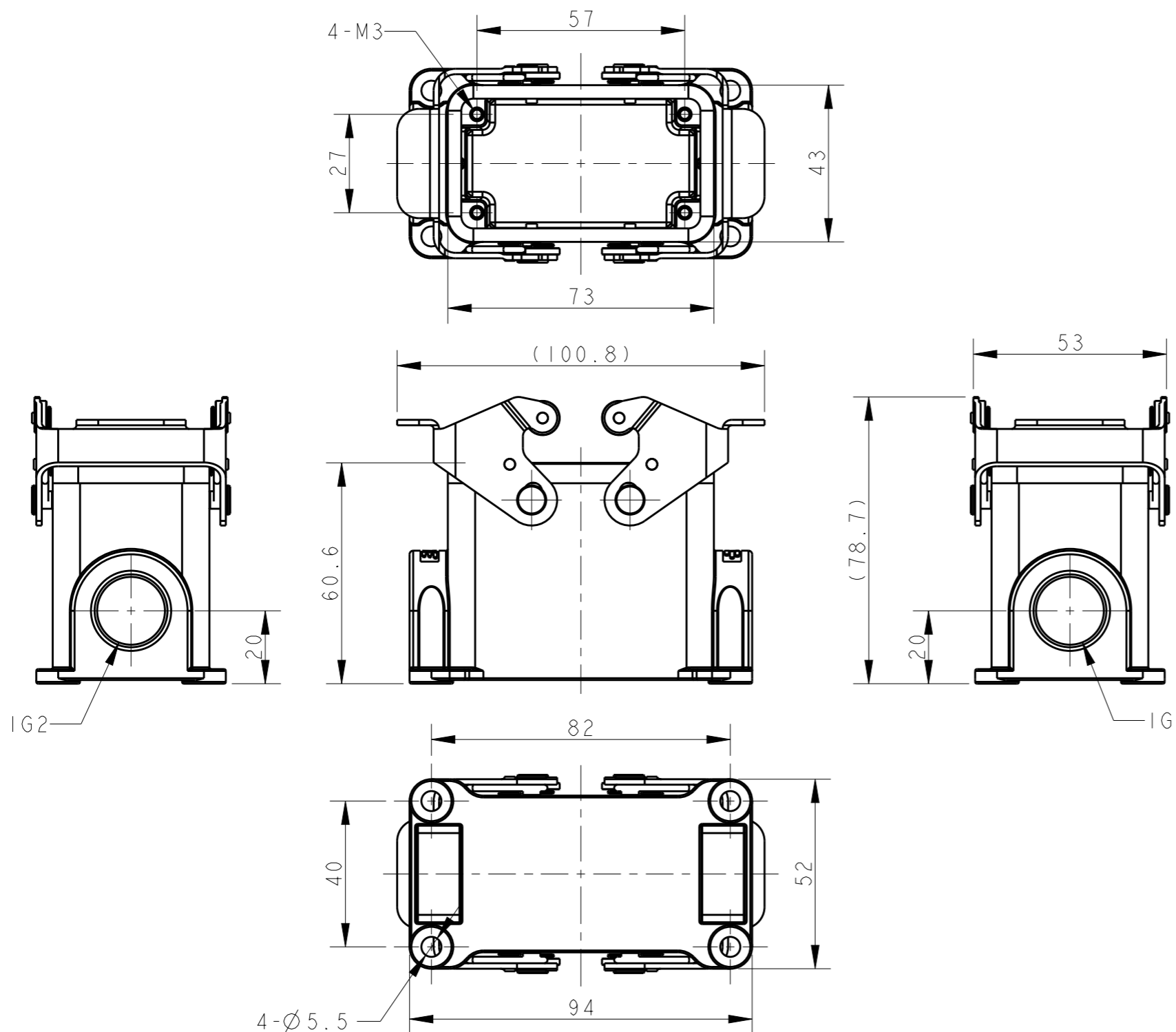


THIS DRAWING IS UNPUBLISHED. RELEASED FOR PUBLICATION 20  
 © COPYRIGHT 20 BY - ALL RIGHTS RESERVED.

REVISIONS

P	LTR	DESCRIPTION	DATE	DWN	APVD
	A	INITIAL RELEASE	25JUN2015	DL	CW



NOTES:  
 1. TECHNICAL CHARACTERISTICS:  
 BODY MATERIAL: DIE CAST ALUMINIUM ALLOY  
 SURFACE TREATMENT: POWDER-COATED, GRAY  
 OPERATION TEMPERATURE: -40-+125°C  
 DEGREE OF PROTECTION: IP65 (MATED)

注释:  
 1. 技术参数:  
 主体材料: 铝合金  
 表面处理: 粉末喷涂, 灰色  
 工作温度: -40-+125°C  
 防护等级: IP65(配合)

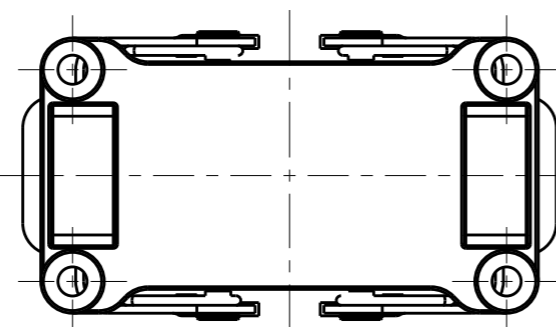
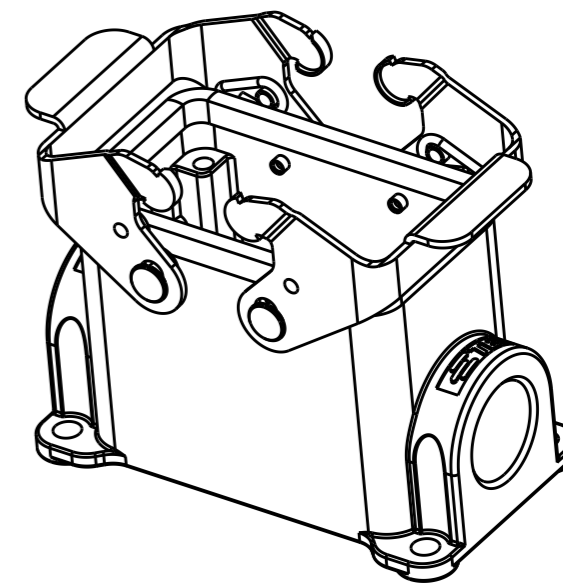
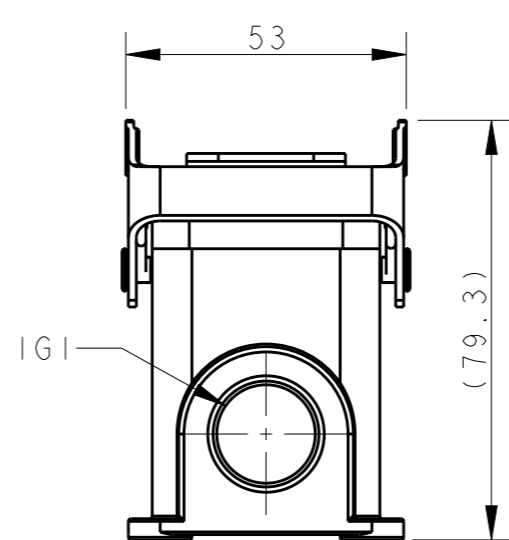
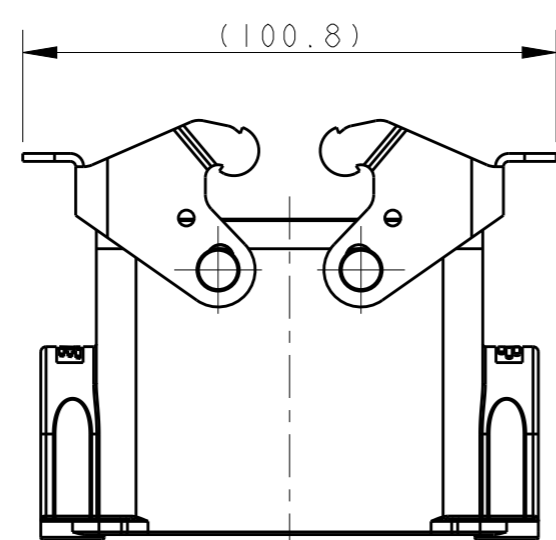
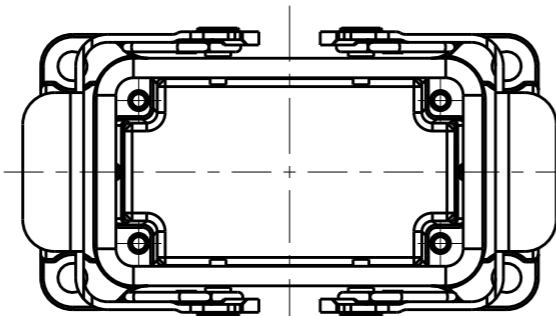
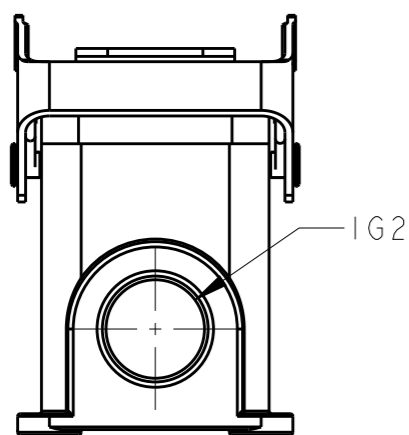
TYPE I: BODY + DOUBLE STAINLESS STEEL LOCKING

TI440101116-000	TYPE I	HI0B-SGRS-PG16	PG16	-
TI440101120-000		HI0B-SGRS-M20	M20	-
TI440101121-000		HI0B-SGRS-PG21	PG21	-
TI440101125-000		HI0B-SGRS-M25	M25	-
TI440101216-000		HI0B-SGRS-2PG16	PG16	PG16
TI440101220-000		HI0B-SGRS-2M20	M20	M20
TI440101221-000		HI0B-SGRS-2PG21	PG21	PG21
TI440101225-000		HI0B-SGRS-2M25	M25	M25
ASSEMBLY PART NUMBER	TYPE	ASSEMBLY PART DESCRIPTION	IG1	IG2

THIS DRAWING IS A CONTROLLED DOCUMENT.		DWN	DAVID LI	25JUN2015	<b>STE</b> TE Connectivity	
DIMENSIONS: mm		CHK	CHRIS WANG	25JUN2015		
TOLERANCES UNLESS OTHERWISE SPECIFIED:		APVD	XU XIANG	25JUN2015		
0 PLC ±- 1 PLC ±- 2 PLC ±- 3 PLC ±- 4 PLC ±- ANGLES ±-		PRODUCT SPEC	108-137013			
MATERIAL TBD		APPLICATION SPEC	114-137013		NAME	HI0B-SGRS-PG/M
FINISH -		WEIGHT	-		SIZE	A3
-		CUSTOMER DRAWING	SCALE 7:10		CAGE CODE	-
			SHEET 1 OF 2		DRAWING NO	©-TI44010XXXX000
			REV A		RESTRICTED TO	-

REVISIONS

P	LTR	DESCRIPTION	DATE	DWN	APVD
-	-	SEE SHEET 1	-	-	-



TYPE 2: BODY + DOUBLE STEEL LOCKING  
OTHER SPEC REFER TO TYPE 1

TI440102116-000	TYPE 2	H10B-SGR-PG16	PG16	-
TI440102120-000		H10B-SGR-M20	M20	-
TI440102121-000		H10B-SGR-PG21	PG21	-
TI440102125-000		H10B-SGR-M25	M25	-
TI440102216-000		H10B-SGR-2PG16	PG16	PG16
TI440102220-000		H10B-SGR-2M20	M20	M20
TI440102221-000		H10B-SGR-2PG21	PG21	PG21
TI440102225-000		H10B-SGR-2M25	M25	M25
TI440102516-000		H10B-SGR-M25/PG16	M25	PG16
TI440102520-000		H10B-SGR-M25/M20	M25	M20
ASSEMBLY PART NUMBER	TYPE	ASSEMBLY PART DESCRIPTION	IG1	IG2

THIS DRAWING IS A CONTROLLED DOCUMENT.

DWN 25JUN2015  
DAVID LI  
CHK 25JUN2015  
CHRIS WANG  
APVD 25JUN2015  
XU XIANG



DIMENSIONS: mm	TOLERANCES UNLESS OTHERWISE SPECIFIED:
	0 PLC ±-
	1 PLC ±-
	2 PLC ±-
	3 PLC ±-
	4 PLC ±-
	ANGLES ±-
MATERIAL TBD	FINISH -

PRODUCT SPEC  
108-137013  
APPLICATION SPEC  
114-137013  
WEIGHT  
-

NAME H10B-SGR-PG/M		RESTRICTED TO	
SIZE A3	CAGE CODE -	DRAWING NO C-TI44010XXXX000	RESTRICTED TO -
CUSTOMER DRAWING		SCALE 7:10	SHEET 2 OF 2 REV A

# Mouser Electronics

Authorized Distributor

Click to View Pricing, Inventory, Delivery & Lifecycle Information:

[TE Connectivity:](#)

[T1440101221-000](#)