

THIS DRAWING IS UNPUBLISHED.

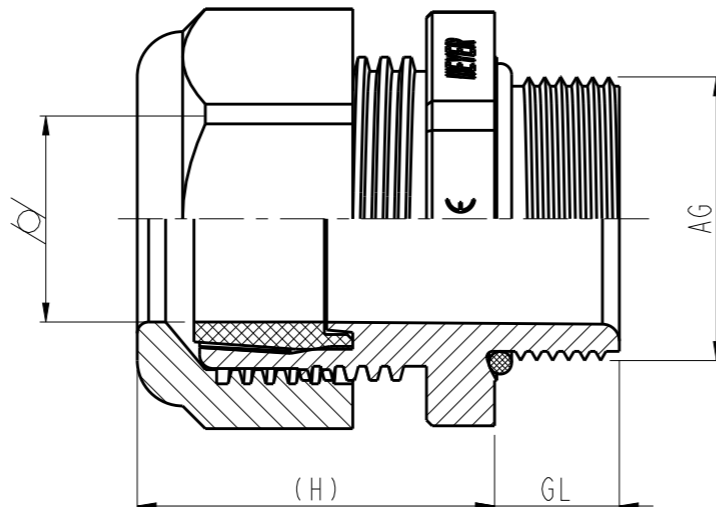
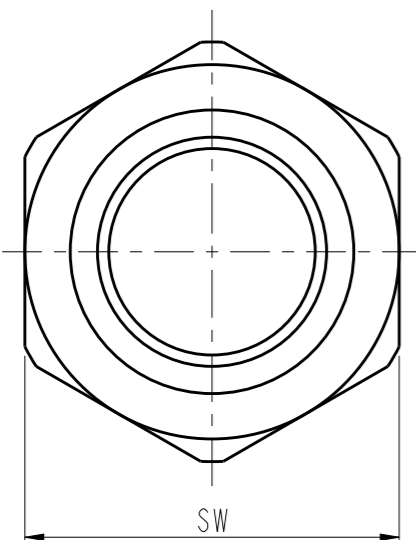
RELEASED FOR PUBLICATION

20

© COPYRIGHT 20 BY - ALL RIGHTS RESERVED.

REVISIONS

P	LTR	DESCRIPTION	DATE	DWN	APVD
	A	INITIAL	12JAN2016	QY	CW
	B	ECR-16-004403	24MAR2016	QY	CW



NOTE:

I. TECHNICAL CHARACTERISTICS:

- BODY MATERIAL : PA6
- SEAL MATERIAL : EPDM
- NUT MATERIAL : PA6
- TEMPERATURE RANGE : -40°C~+100°C
- PROTECTION DEGREE : IP68
- CLAMPING RANGE : SEE TABLE
- FLAME RATING : V2(UL94)
- COLOUR : SEE TABLE

注释:

- I. 技术参数:
- 主体材料: PA6尼龙塑料
- 密封件: 三元乙丙
- 螺帽材料: PA6尼龙塑料
- 工作温度: -40°C~+100°C
- 防护等级: IP68
- 夹线范围: 见表格
- 阻燃等级: V2(UL94)
- 颜色: 见表格

T3209121222-001	HSK-M12G	M12*1.5	3-6.5	12	8	20	15
T3209161212-001	HSK-M16G-H	M16*1.5	2.5-6	16	8	22	19
T3209161222-001	HSK-M16G	M16*1.5	4-8	16	8	22	19
T3209161202-001	HSK-M16G-D	M16*1.5	5-10	16	8	25	22
T3209181222-001	HSK-M18G	M18*1.5	5-10	18	8	25	22
T3209201212-001	HSK-M20G-H	M20*1.5	5-9	20	9	26.5	24
T3209201222-001	HSK-M20G	M20*1.5	6-12	20	9	26.5	24
T3209201202-001	HSK-M20G-D	M20*1.5	8-14	20	10	28	27
T3209221212-001	HSK-M22G-H	M22*1.5	6-12	22	10	28	27
T3209221222-001	HSK-M22G	M22*1.5	8-14	22	10	28	27
T3209241212-001	HSK-M24G-H	M24*1.5	6-12	24	10	28	27
T3209241222-001	HSK-M24G	M24*1.5	8-14	24	10	28	27
T3209251212-001	HSK-M25G-H	M25*1.5	11-16	25	11	31.5	33
T3209251222-001	HSK-M25G	M25*1.5	13-18	25	11	31.5	33
T3209271212-001	HSK-M27G-H	M27*2.0	11-16	27	11	31.5	33
T3209271222-001	HSK-M27G	M27*2.0	13-18	27	11	31.5	33
T3209301212-001	HSK-M30G-H	M30*2.0	11-16	30	11	31.5	33
T3209301222-001	HSK-M30G	M30*2.0	13-18	30	11	31.5	33
T3209321212-001	HSK-M32G-H	M32*1.5	14-21	32	11	39	42
T3209321222-001	HSK-M32G	M32*1.5	18-25	32	11	39	42
T3209331222-001	HSK-M33G	M33*2.0	18-25	33	11	39	42
T3209361212-001	HSK-M36G-H	M36*2.0	14-21	36	11	39	42
T3209361222-001	HSK-M36G	M36*2.0	18-25	36	11	39	42
T3209401222-001	HSK-M40G	M40*1.5	22-32	40	13	48.5	53
T3209421222-001	HSK-M42G	M42*2.0	22-32	42	13	46.5	53
T3209481222-001	HSK-M48G	M48*2.0	22-32	48	13	48.5	53
T3209501222-001	HSK-M50G	M50*1.5	30-38	50	15	47.3	60
T3209501202-001	HSK-M50G-D	M50*1.5	31-41	50	20	50	64
T3209561222-001	HSK-M56G	M56*2.0	30-38	56	15	47.3	60
T3209601222-001	HSK-M60G	M60*2.0	37-44	60	15	47	65
T3209631222-001	HSK-M63G	M63*1.5	37-44	63	15	47	65
T3209641222-001	HSK-M64G	M64*2.0	37-44	64	15	47	65
T3209721212-001	HSK-M72G-H	M72*2.0	43-53	72	16	54	86
T3209721222-001	HSK-M72G	M72*2.0	51-57	72	16	54	86

PART NUMBER (GREY) 零件料号(灰)	PART DESCRIPTION (GREY) 零件描述(灰)	THREAD M 公制螺纹	WIRE RANGE 夹线范围	AG 螺纹大径	GL (mm) 螺纹长度	(H)	SW
-------------------------------	------------------------------------	------------------	--------------------	------------	-----------------	-----	----

THIS DRAWING IS A CONTROLLED DOCUMENT.

DWN	12JAN2016
CHK	QIANG YUAN
APVD	12JAN2016
CHK	KYLE ZENG
APVD	12JAN2016
CHK	CHRIS WANG

NAME PLASTIC CABLE GLANDS



DIMENSIONS:	TOLERANCES UNLESS OTHERWISE SPECIFIED:
mm	
0 PLC	±-
1 PLC	±-
2 PLC	±-
3 PLC	±-
4 PLC	±-
ANGLES	±-
MATERIAL	FINISH
-	-

PRODUCT SPEC	-
APPLICATION SPEC	-
WEIGHT	-
CUSTOMER DRAWING	-

SIZE	CAGE CODE	DRAWING NO	RESTRICTED TO
A3	-	©-T3209XXXXXX00X	-
SCALE	3:2	SHEET 1 OF 6	REV B

4

3

2

1

THIS DRAWING IS UNPUBLISHED.

RELEASED FOR PUBLICATION

20

© COPYRIGHT 20

BY -

ALL RIGHTS RESERVED.

REVISIONS

P	LTR	DESCRIPTION	DATE	DWN	APVD
-		SEE SHEET 1	-	-	-

NOTE:

I. TECHNICAL CHARACTERISTICS:

BODY MATERIAL : PA6
 SEAL MATERIAL : EPDM
 NUT MATERIAL : PA6
 TEMPERATURE RANGE : -40°C~+100°C
 PROTECTION DEGREE : IP68
 CLAMPING RANGE : SEE TABLE
 FLAME RATING : V2(UL94)
 COLOUR : SEE TABLE

注释:

I. 技术参数:

主体材料: PA6尼龙塑料
 密封件: 三元乙丙
 螺帽材料: PA6尼龙塑料
 工作温度: -40°C~+100°C
 防护等级: IP68
 夹线范围: 见表格
 阻燃等级: V2(UL94)
 颜色: 见表格

T3209121122-001	HSK-M12B	M12*1.5	3-6.5	12	8	20	15
T3209161112-001	HSK-M16B-H	M16*1.5	2.5-6	16	8	22	19
T3209161122-001	HSK-M16B	M16*1.5	4-8	16	8	22	19
T3209161102-001	HSK-M16B-D	M16*1.5	5-10	16	8	25	22
T3209181122-001	HSK-M18B	M18*1.5	5-10	18	8	25	22
T3209201112-001	HSK-M20B-H	M20*1.5	5-9	20	9	26.5	24
T3209201122-001	HSK-M20B	M20*1.5	6-12	20	9	26.5	24
T3209201102-001	HSK-M20B-D	M20*1.5	8-14	20	10	28	27
T3209221112-001	HSK-M22B-H	M22*1.5	6-12	22	10	28	27
T3209221122-001	HSK-M22B	M22*1.5	8-14	22	10	28	27
T3209241112-001	HSK-M24B-H	M24*1.5	6-12	24	10	28	27
T3209241122-001	HSK-M24B	M24*1.5	8-14	24	10	28	27
T3209251112-001	HSK-M25B-H	M25*1.5	11-16	25	11	31.5	33
T3209251122-001	HSK-M25B	M25*1.5	13-18	25	11	31.5	33
T3209271112-001	HSK-M27B-H	M27*2.0	11-16	27	11	31.5	33
T3209271122-001	HSK-M27B	M27*2.0	13-18	27	11	31.5	33
T3209301112-001	HSK-M30B-H	M30*2.0	11-16	30	11	31.5	33
T3209301122-001	HSK-M30B	M30*2.0	13-18	30	11	31.5	33
T3209321112-001	HSK-M32B-H	M32*1.5	14-21	32	11	39	42
T3209321122-001	HSK-M32B	M32*1.5	18-25	32	11	39	42
T3209331122-001	HSK-M33B	M33*2.0	18-25	33	11	39	42
T3209361112-001	HSK-M36B-H	M36*2.0	14-21	36	11	39	42
T3209361122-001	HSK-M36B	M36*2.0	18-25	36	11	39	42
T3209401122-001	HSK-M40B	M40*1.5	22-32	40	13	48.5	53
T3209421122-001	HSK-M42B	M42*2.0	22-32	42	13	46.5	53
T3209481122-001	HSK-M48B	M48*2.0	22-32	48	13	48.5	53
T3209501122-001	HSK-M50B	M50*1.5	30-38	50	15	47.3	60
T3209501102-001	HSK-M50B-D	M50*1.5	31-41	50	20	50	64
T3209561122-001	HSK-M56B	M56*2.0	30-38	56	15	47.3	60
T3209601122-001	HSK-M60B	M60*2.0	37-44	60	15	47	65
T3209631122-001	HSK-M63B	M63*1.5	37-44	63	15	47	65
T3209641122-001	HSK-M64B	M64*2.0	37-44	64	15	47	65
T3209721112-001	HSK-M72B-H	M72*2.0	43-53	72	16	54	86
T3209721122-001	HSK-M72B	M72*2.0	51-57	72	16	54	86

PART NUMBER (BLACK) 零件料号(黑)	PART DESCRIPTION (BLACK) 零件描述(黑)	THREAD M 公制螺纹	WIRE RANGE 夹线范围	AG 螺纹大径	GL(mm) 螺纹长度	(H)	SW
-----------------------------------	--	------------------	--------------------	------------	----------------	-----	----

THIS DRAWING IS A CONTROLLED DOCUMENT.

DWN 12JAN2016

CHK QIANG YUAN

KYLE ZENG 12JAN2016

APVD CHRIS WANG 12JAN2016

NAME PLASTIC CABLE GLANDS

TE Connectivity

DIMENSIONS:

mm

TOLERANCES UNLESS OTHERWISE SPECIFIED:

0 PLC	±-
1 PLC	±-
2 PLC	±-
3 PLC	±-
4 PLC	±-
ANGLES	±-

MATERIAL

FINISH

WEIGHT

CUSTOMER DRAWING

SIZE A3 CAGE CODE - DRAWING NO. ©-T3209XXXXXX00X RESTRICTED TO -

SCALE 3:2 SHEET 2 OF 6 REV B

1470-19 (3/13)

THIS DRAWING IS UNPUBLISHED.

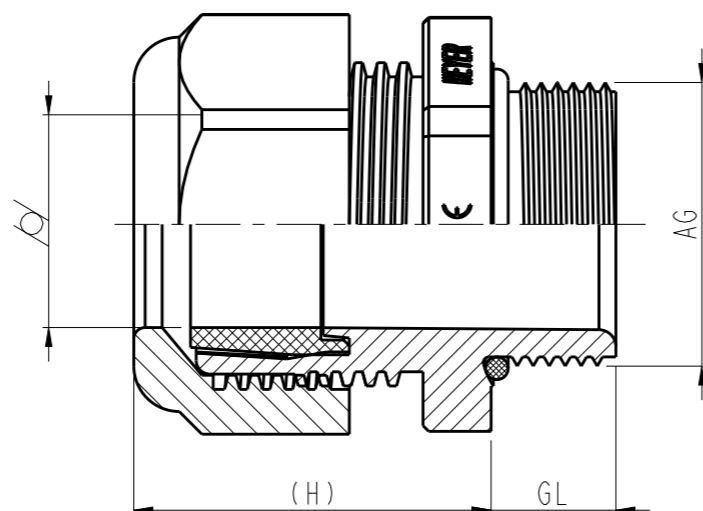
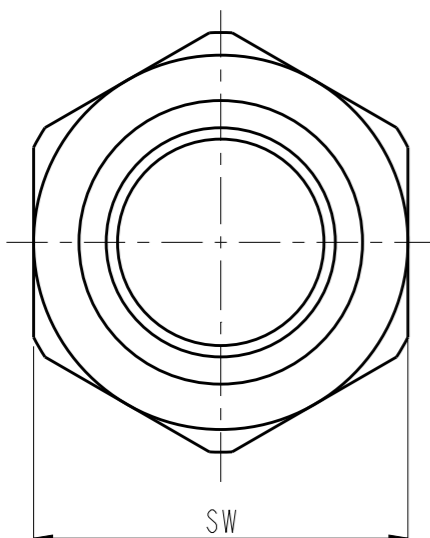
RELEASED FOR PUBLICATION

20

© COPYRIGHT 20 BY - ALL RIGHTS RESERVED.

REVISIONS

P	LTR	DESCRIPTION	DATE	DWN	APVD
-	-	SEE SHEET 1	-	-	-



NOTE:

I. TECHNICAL CHARACTERISTICS:

- BODY MATERIAL : PA6
- SEAL MATERIAL : EPDM
- NUT MATERIAL : PA6
- TEMPERATURE RANGE : -40°C~+100°C
- PROTECTION DEGREE : IP68
- CLAMPING RANGE : SEE TABLE
- FLAME RATING : V2(UL94)
- COLOUR : SEE TABLE

注释:

I. 技术参数:

- 主体材料: PA6尼龙塑料
- 密封件: 三元乙丙
- 螺帽材料: PA6尼龙塑料
- 工作温度: -40°C~+100°C
- 防护等级: IP68
- 夹线范围: 见表格
- 阻燃等级: V2(UL94)
- 颜色: 见表格

T3209122222-001	HSK-M12G-L	M12*1.5	3-6.5	12	15	20	15
T3209162212-001	HSK-M16G-HL	M16*1.5	2.5-6	16	15	22	19
T3209162222-001	HSK-M16G-L	M16*1.5	4-8	16	15	22	19
T3209162202-001	HSK-M16G-DL	M16*1.5	5-10	16	15	25	22
T3209182222-001	HSK-M18G-L	M18*1.5	5-10	18	15	25	22
T3209202212-001	HSK-M20G-HL	M20*1.5	5-9	20	15	26.5	24
T3209202222-001	HSK-M20G-L	M20*1.5	6-12	20	15	26.5	24
T3209202202-001	HSK-M20G-DL	M20*1.5	8-14	20	15	28	27
T3209222212-001	HSK-M22G-HL	M22*1.5	6-12	22	15	28	27
T3209222222-001	HSK-M22G-L	M22*1.5	8-14	22	15	28	27
T3209242212-001	HSK-M24G-HL	M24*1.5	6-12	24	15	28	27
T3209242222-001	HSK-M24G-L	M24*1.5	8-14	24	15	28	27
T3209252212-001	HSK-M25G-HL	M25*1.5	11-16	25	15	31.5	33
T3209252222-001	HSK-M25G-L	M25*1.5	13-18	25	15	31.5	33
T3209322212-001	HSK-M32G-HL	M32*1.5	14-21	32	15	39	42
T3209322222-001	HSK-M32G-L	M32*1.5	18-25	32	15	39	42
PART NUMBER (GREY) 零件料号(灰)	PART DESCRIPTION (GREY) 零件描述(灰)	THREAD M 公制螺纹	WIRE RANGE 夹线范围	AG 螺纹大径	GL(mm) 加长螺纹	(H)	SW

THIS DRAWING IS A CONTROLLED DOCUMENT.

DWN: QIANG YUAN 12JAN2016
CHK: KYLE ZENG 12JAN2016
APVD: CHRIS WANG 12JAN2016

PRODUCT SPEC: -
APPLICATION SPEC: -
WEIGHT: -

CUSTOMER DRAWING

NAME: PLASTIC CABLE GLANDS

SIZE: A3 CAGE CODE: - DRAWING NO: T3209XXXXXX00X RESTRICTED TO: -

SCALE: 3:2 SHEET: 3 OF 6 REV: B

TE Connectivity

DIMENSIONS:	TOLERANCES UNLESS OTHERWISE SPECIFIED:
mm	
0 PLC	±-
1 PLC	±-
2 PLC	±-
3 PLC	±-
4 PLC	±-
ANGLES	±-
MATERIAL	FINISH
-	-

THIS DRAWING IS UNPUBLISHED.

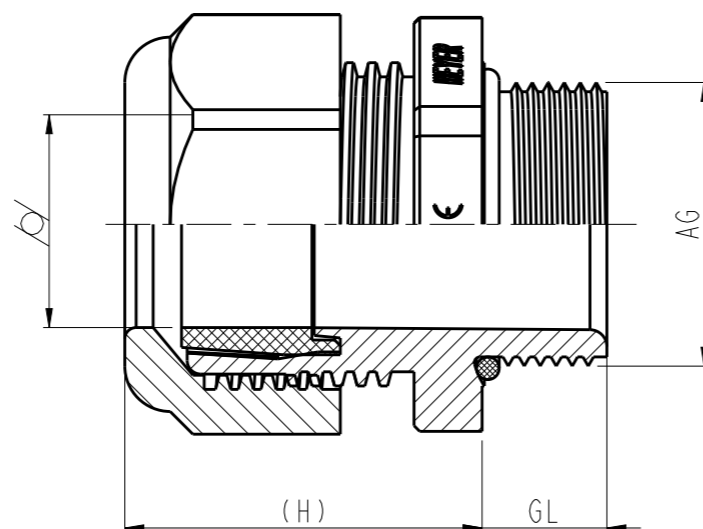
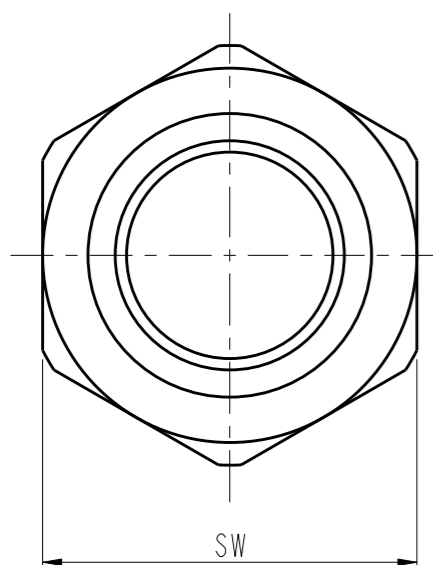
RELEASED FOR PUBLICATION

20

© COPYRIGHT 20 BY - ALL RIGHTS RESERVED.

REVISIONS

P	LTR	DESCRIPTION	DATE	DWN	APVD
-	-	SEE SHEET 1	-	-	-



NOTE:

I. TECHNICAL CHARACTERISTICS:

- BODY MATERIAL : PA6
- SEAL MATERIAL : EPDM
- NUT MATERIAL : PA6
- TEMPERATURE RANGE : -40°C~+100°C
- PROTECTION DEGREE : IP68
- CLAMPING RANGE : SEE TABLE
- FLAME RATING : V2(UL94)
- COLOUR : SEE TABLE

注释:

- I. 技术参数:
- 主体材料: PA6尼龙塑料
- 密封件: 三元乙丙
- 螺帽材料: PA6尼龙塑料
- 工作温度: -40°C~+100°C
- 防护等级: IP68
- 夹线范围: 见表格
- 阻燃等级: V2(UL94)
- 颜色: 见表格

T3209120222-001	HSK-M12B-L	M12*1.5	3-6.5	12	15	20	15
T3209160212-001	HSK-M16B-HL	M16*1.5	2.5-6	16	15	22	19
T3209160222-001	HSK-M16B-L	M16*1.5	4-8	16	15	22	19
T3209160202-001	HSK-M16B-DL	M16*1.5	5-10	16	15	25	22
T3209180222-001	HSK-M18B-L	M18*1.5	5-10	18	15	25	22
T3209200212-001	HSK-M20B-HL	M20*1.5	5-9	20	15	26.5	24
T3209200222-001	HSK-M20B-L	M20*1.5	6-12	20	15	26.5	24
T3209200202-001	HSK-M20B-DL	M20*1.5	8-14	20	15	28	27
T3209220212-001	HSK-M22B-HL	M22*1.5	6-12	22	15	28	27
T3209220222-001	HSK-M22B-L	M22*1.5	8-14	22	15	28	27
T3209240212-001	HSK-M24B-HL	M24*1.5	6-12	24	15	28	27
T3209240222-001	HSK-M24B-L	M24*1.5	8-14	24	15	28	27
T3209250212-001	HSK-M25B-HL	M25*1.5	11-16	25	15	31.5	33
T3209250222-001	HSK-M25B-L	M25*1.5	13-18	25	15	31.5	33
T3209320212-001	HSK-M32B-HL	M32*1.5	14-21	32	15	39	42
T3209320222-001	HSK-M32B-L	M32*1.5	18-25	32	15	39	42
PART NUMBER (BLACK) 零件料号(黑)	PART DESCRIPTION (BLACK) 零件描述(黑)	THREAD M 公制螺纹	WIRE RANGE 夹线范围	AG 螺纹大径	GL(mm) 加长螺纹	(H)	SW

THIS DRAWING IS A CONTROLLED DOCUMENT.

DWN: QIANG YUAN 12JAN2016
CHK: KYLE ZENG 12JAN2016
APVD: CHRIS WANG 12JAN2016

PRODUCT SPEC: -
APPLICATION SPEC: -
WEIGHT: -

CUSTOMER DRAWING

NAME: PLASTIC CABLE GLANDS

SIZE: A3 CAGE CODE: - DRAWING NO: T3209XXXXXX00X RESTRICTED TO: -

SCALE: 3:2 SHEET: 4 OF 6 REV: B

TE Connectivity

DIMENSIONS:	TOLERANCES UNLESS OTHERWISE SPECIFIED:
mm	
0 PLC	±-
1 PLC	±-
2 PLC	±-
3 PLC	±-
4 PLC	±-
ANGLES	±-
MATERIAL	FINISH
-	-

THIS DRAWING IS UNPUBLISHED.

RELEASED FOR PUBLICATION

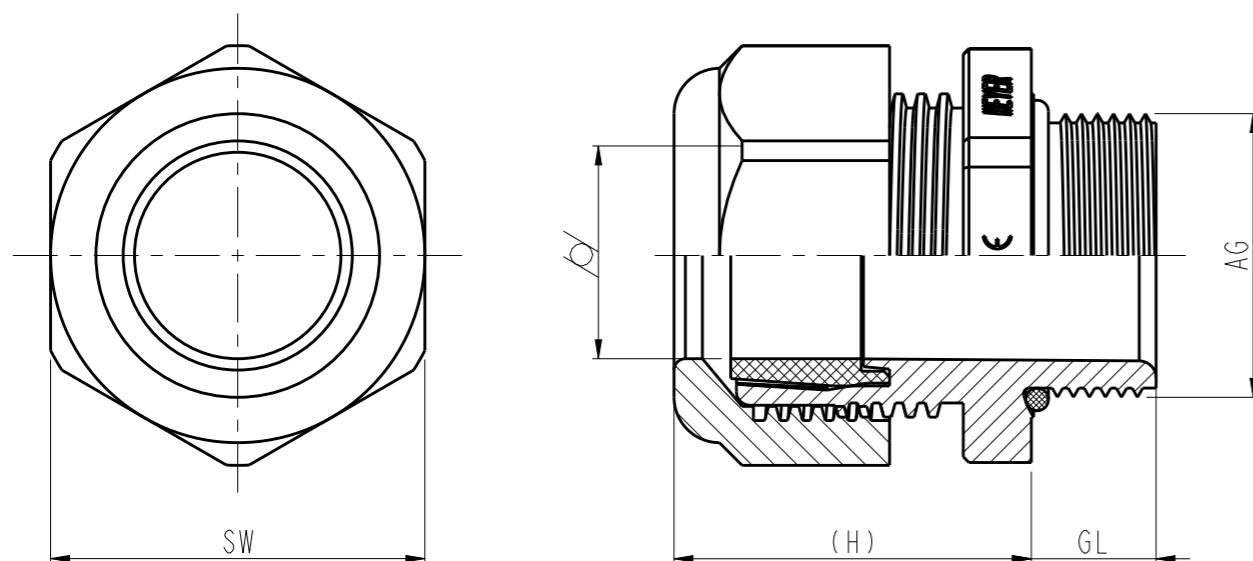
20

© COPYRIGHT 20 BY -

ALL RIGHTS RESERVED.

REVISIONS

P	LTR	DESCRIPTION	DATE	DWN	APVD
-	-	SEE SHEET 1	-	-	-



T3209071201-000	HSK-P07G	PG7	3-6.5	12.5	-	8	20	15
T3209091211-000	HSK-P09G-H	PG9	2.5-6	15.2	-	8	22	19
T3209091201-000	HSK-P09G	PG9	4-8	15.2	-	8	22	19
T3209111201-000	HSK-P11G	PG11	5-10	18.6	-	8	25	22
T3209131211-000	HSK-P13.5G-H	PG13.5	5-9	20.4	-	9	26.5	24
T3209131201-000	HSK-P13.5G	PG13.5	6-12	20.4	-	9	26.5	24
T3209161211-000	HSK-P16G-H	PG16	6-12	22.5	-	10	28	27
T3209161201-000	HSK-P16G	PG16	8-14	22.5	-	10	28	27
T3209211211-000	HSK-P21G-H	PG21	11-16	28.3	-	11	31.5	33
T3209211201-000	HSK-P21G	PG21	13-18	28.3	-	11	31.5	33
T3209291211-000	HSK-P29G-H	PG29	14-21	37	-	11	39	42
T3209291201-000	HSK-P29G	PG29	18-25	37	-	11	39	42
T3209361201-000	HSK-P36G	PG36	22-32	47	-	13	48.5	53
T3209421201-000	HSK-P42G	PG42	30-38	54	-	15	47.3	60
T3209481201-000	HSK-P48G	PG48	37-44	59.3	-	15	47	65
T3209072201-000	HSK-P07G-L	PG7	3-6.5	12.5	15	-	20	15
T3209092211-000	HSK-P09G-HL	PG9	2.5-6	15.2	15	-	22	19
T3209092201-000	HSK-P09G-L	PG9	4-8	15.2	15	-	22	19
T3209112201-000	HSK-P11G-L	PG11	5-10	18.6	15	-	25	22
T3209132211-000	HSK-P13.5G-HL	PG13.5	5-9	20.4	15	-	26.5	24
T3209132201-000	HSK-P13.5G-L	PG13.5	6-12	20.4	15	-	26.5	24
T3209162211-000	HSK-P16G-HL	PG16	6-12	22.5	15	-	28	27
T3209162201-000	HSK-P16G-L	PG16	8-14	22.5	15	-	28	27
T3209212211-000	HSK-P21G-HL	PG21	11-16	28.3	15	-	31.5	33
T3209212201-000	HSK-P21G-L	PG21	13-18	28.3	15	-	31.5	33
T3209292211-000	HSK-P29G-HL	PG29	14-21	37	15	-	39	42
T3209292201-000	HSK-P29G-L	PG29	18-25	37	15	-	39	42

NOTE:

1. TECHNICAL CHARACTERISTICS:

- BODY MATERIAL : PA6
- SEAL MATERIAL : EPDM
- NUT MATERIAL : PA6
- TEMPERATURE RANGE : -40°C~+100°C
- PROTECTION DEGREE : IP68
- CLAMPING RANGE : SEE TABLE
- FLAME RATING : V2(UL94)
- COLOUR : SEE TABLE

注释:

1. 技术参数:

- 主体材料: PA6尼龙塑料
- 密封件: 三元乙丙
- 螺帽材料: PA6尼龙塑料
- 工作温度: -40°C~+100°C
- 防护等级: IP68
- 夹线范围: 见表格
- 阻燃等级: V2(UL94)
- 颜色: 见表格

PART NUMBER (GREY) 零件料号(灰)	PART DESCRIPTION (GREY) 零件描述(灰)	THREAD PG 德制螺纹	WIRE RANGE 夹线范围	AG 螺纹大径	GL (mm) LENGTHEN 加长螺纹	GL (mm) 螺纹长度	(H)	SW
-------------------------------	------------------------------------	-------------------	--------------------	------------	-----------------------------	-----------------	-----	----

THIS DRAWING IS A CONTROLLED DOCUMENT.

DWN: QIANG YUAN 12JAN2016
CHK: KYLE ZENG 12JAN2016
APVD: CHRIS WANG 12JAN2016

NAME: PLASTIC CABLE GLANDS

PRODUCT SPEC: -
APPLICATION SPEC: -
WEIGHT: -

SIZE: A3 CAGE CODE: - DRAWING NO: T3209XXXXXX00X RESTRICTED TO: -

CUSTOMER DRAWING SCALE: 3:2 SHEET: 5 OF 6 REV: B

TE Connectivity

DIMENSIONS:	TOLERANCES UNLESS OTHERWISE SPECIFIED:
mm	
0 PLC	±-
1 PLC	±-
2 PLC	±-
3 PLC	±-
4 PLC	±-
ANGLES	±-
MATERIAL	FINISH
-	-

4

3

2

1

THIS DRAWING IS UNPUBLISHED.

RELEASED FOR PUBLICATION

20

© COPYRIGHT 20

BY -

ALL RIGHTS RESERVED.

REVISIONS

P	LTR	DESCRIPTION	DATE	DWN	APVD
-	-	SEE SHEET 1	-	-	-

T3209071101-000	HSK-P07B	PG7	3-6.5	12.5	-	8	20	15
T3209091111-000	HSK-P09B-H	PG9	2.5-6	15.2	-	8	22	19
T3209091101-000	HSK-P09B	PG9	4-8	15.2	-	8	22	19
T3209111101-000	HSK-P11B	PG11	5-10	18.6	-	8	25	22
T3209131111-000	HSK-P13.5B-H	PG13.5	5-9	20.4	-	9	26.5	24
T3209131101-000	HSK-P13.5B	PG13.5	6-12	20.4	-	9	26.5	24
T3209161111-000	HSK-P16B-H	PG16	6-12	22.5	-	10	28	27
T3209161101-000	HSK-P16B	PG16	8-14	22.5	-	10	28	27
T3209211111-000	HSK-P21B-H	PG21	11-16	28.3	-	11	31.5	33
T3209211101-000	HSK-P21B	PG21	13-18	28.3	-	11	31.5	33
T3209291111-000	HSK-P29B-H	PG29	14-21	37	-	11	39	42
T3209291101-000	HSK-P29B	PG29	18-25	37	-	11	39	42
T3209361101-000	HSK-P36B	PG36	22-32	47	-	13	48.5	53
T3209421101-000	HSK-P42B	PG42	30-38	54	-	15	47.3	60
T3209481101-000	HSK-P48B	PG48	37-44	59.3	-	15	47	65
T3209070201-000	HSK-P07B-L	PG7	3-6.5	12.5	15	-	20	15
T3209090211-000	HSK-P09B-HL	PG9	2.5-6	15.2	15	-	22	19
T3209090201-000	HSK-P09B-L	PG9	4-8	15.2	15	-	22	19
T3209110201-000	HSK-P11B-L	PG11	5-10	18.6	15	-	25	22
T3209130211-000	HSK-P13.5B-HL	PG13.5	5-9	20.4	15	-	26.5	24
T3209130201-000	HSK-P13.5B-L	PG13.5	6-12	20.4	15	-	26.5	24
T3209160211-000	HSK-P16B-HL	PG16	6-12	22.5	15	-	28	27
T3209160201-000	HSK-P16B-L	PG16	8-14	22.5	15	-	28	27
T3209210211-000	HSK-P21B-HL	PG21	11-16	28.3	15	-	31.5	33
T3209210201-000	HSK-P21B-L	PG21	13-18	28.3	15	-	31.5	33
T3209290211-000	HSK-P29B-HL	PG29	14-21	37	15	-	39	42
T3209290201-000	HSK-P29B-L	PG29	18-25	37	15	-	39	42

NOTE:

1. TECHNICAL CHARACTERISTICS:

BODY MATERIAL : PA6
 SEAL MATERIAL : EPDM
 NUT MATERIAL : PA6
 TEMPERATURE RANGE : -40°C~+100°C
 PROTECTION DEGREE : IP68
 CLAMPING RANGE : SEE TABLE
 FLAME RATING : V2(UL94)
 COLOUR : SEE TABLE

注释:

1. 技术参数:

主体材料: PA6尼龙塑料
 密封件: 三元乙丙
 螺帽材料: PA6尼龙塑料
 工作温度: -40°C~+100°C
 防护等级: IP68
 夹线范围: 见表格
 阻燃等级: V2(UL94)
 颜色: 见表格

PART NUMBER (BLACK) 零件料号(黑)	PART DESCRIPTION (BLACK) 零件描述(黑)	THREAD PG 德制螺纹	WIRE RANGE 夹线范围	AG 螺纹大径	GL(mm) LENGTHEN 加长螺纹	GL(mm) 螺纹长度	(H)	SW
-----------------------------------	--	-------------------	--------------------	------------	----------------------------	----------------	-----	----

THIS DRAWING IS A CONTROLLED DOCUMENT.

DWN 12JAN2016

CHK QIANG YUAN

KYLE ZENG 12JAN2016

APVD CHRIS WANG 12JAN2016

PRODUCT SPEC

APPLICATION SPEC

WEIGHT -

CUSTOMER DRAWING

TE Connectivity

NAME
PLASTIC CABLE GLANDS

RESTRICTED TO

SIZE A3 CAGE CODE - DRAWING NO. ©-T3209XXXXXX00X

SCALE 3:2 SHEET 6 OF 6 REV B

DIMENSIONS:

mm

TOLERANCES UNLESS OTHERWISE SPECIFIED:

0 PLC	±-
1 PLC	±-
2 PLC	±-
3 PLC	±-
4 PLC	±-
ANGLES	±-

MATERIAL -

FINISH -

1470-19 (3/13)

Mouser Electronics

Authorized Distributor

Click to View Pricing, Inventory, Delivery & Lifecycle Information:

TE Connectivity:

<u>T3209071201-000</u>	<u>T3209091201-000</u>	<u>T3209091211-000</u>	<u>T3209111201-000</u>	<u>T3209121222-001</u>	<u>T3209131201-000</u>
<u>T3209241222-001</u>	<u>T3209481222-001</u>	<u>T3209481201-000</u>	<u>T3209501222-001</u>	<u>T3209561222-001</u>	<u>T3209601222-001</u>
<u>T3209631222-001</u>	<u>T3209641222-001</u>	<u>T3209361201-000</u>	<u>T3209361212-001</u>	<u>T3209361222-001</u>	<u>T3209401222-001</u>
<u>T3209421201-000</u>	<u>T3209421222-001</u>	<u>T3209291211-000</u>	<u>T3209301212-001</u>	<u>T3209301222-001</u>	<u>T3209321212-001</u>
<u>T3209321222-001</u>	<u>T3209331222-001</u>	<u>T3209221212-001</u>	<u>T3209221222-001</u>	<u>T3209241212-001</u>	<u>T3209251212-001</u>
<u>T3209251222-001</u>	<u>T3209291201-000</u>	<u>T3209181222-001</u>	<u>T3209201202-001</u>	<u>T3209201212-001</u>	<u>T3209201222-001</u>
<u>T3209211201-000</u>	<u>T3209211211-000</u>	<u>T3209131211-000</u>	<u>T3209161201-000</u>	<u>T3209161202-001</u>	<u>T3209161211-000</u>
<u>T3209161212-001</u>	<u>T3209161222-001</u>				