

4

3

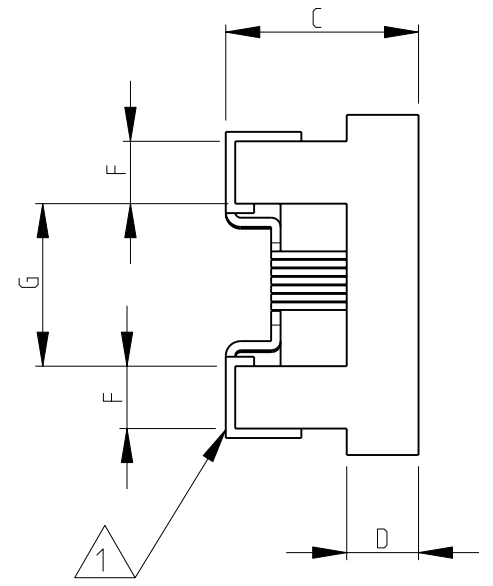
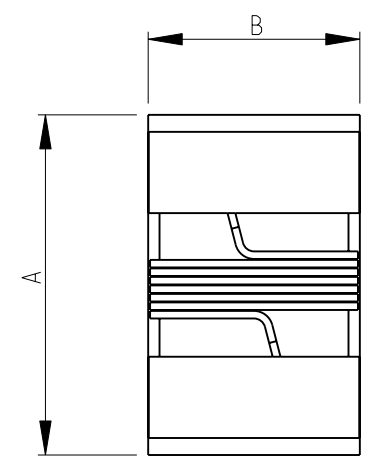
2

1

THIS DRAWING IS UNPUBLISHED. RELEASED FOR PUBLICATION 2008
 © COPYRIGHT 2008 BY - ALL RIGHTS RESERVED.

| LOC | DIST | REVISIONS | | | | |
|-----|------|-------------|---------------------------|-----------|--------|--|
| P | LTR | DESCRIPTION | DATE | DWN | APVD | |
| E | B | BA1 | REVISED PER ECO-11-005150 | 29MAR2011 | RK HMR | |

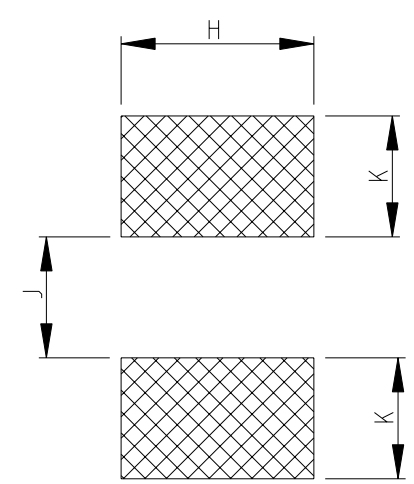
SERIES 36501J, 36501E AS SHOWN



- 1 TERMINAL WRAPAROUND: 0.007"(0.18mm) APPROX. ON BOTH ENDS
- 2 AVAILABLE IN 2 DIFFERENT SERIES
- 3 FOR FURTHER INFORMATION SEE DATA SHEET FOR 3650 SERIES-LOW INDUCTANCE,HIGH FREQUENCY CHIP INDUCTOR

RoHS Compliant

RECOMMENDED LAND PATTERN FOR 36501J, 36501E SERIES



| | A MAX. | B MAX. | C MAX. | D REF. | F | G | H | K | J |
|--------|--------|--------|--------|--------|------|------|------|------|------|
| 36501E | 1.27 | 0.76 | 0.61 | 0.15 | 0.23 | 0.56 | 0.66 | 0.50 | 0.46 |
| 36501J | 1.80 | 1.12 | 1.02 | 0.38 | 0.33 | 0.86 | 1.02 | 0.64 | 0.64 |

THIS DRAWING IS A CONTROLLED DOCUMENT.

| | |
|-------------------|--|
| DIMENSIONS: mm | TOLERANCES UNLESS OTHERWISE SPECIFIED: |
| | 0 PLC ± 0.2 |
| | 1 PLC ± 0.1 |
| | 2 PLC ± - |
| | 3 PLC ± - |
| | 4 PLC ± - |
| | ANGLES ± - ± 5° |
| MATERIAL - | FINISH - |

| | | |
|------------------|-----------|-----------|
| DWN | SUBHASH.M | 14-NOV-08 |
| CHK | PRAKASH.S | 14-NOV-08 |
| APVD | STEPHEN.P | 14-NOV-08 |
| PRODUCT SPEC | - | |
| APPLICATION SPEC | - | |
| WEIGHT | - | |

STE TE Connectivity

LOW INDUCTANCE,
HIGH FREQUENCY CHIP
INDUCTOR SERIES 3650

| | | | |
|------|-----------|------------|---------------|
| SIZE | CAGE CODE | DRAWING NO | RESTRICTED TO |
| A3 | 00779 | 1624112 | - |

CUSTOMER DRAWING SCALE 20:1 SHEET 1 OF 1 REV BA1

Mouser Electronics

Authorized Distributor

Click to View Pricing, Inventory, Delivery & Lifecycle Information:

[TE Connectivity:](#)

[36501J16NJTDG](#)