

SM-Z0077 - Metal protective cap



1627218

<https://www.phoenixcontact.com/us/products/1627218>

Please be informed that the data shown in this PDF document is generated from our online catalog. Please find the complete data in the user documentation. Our general terms of use for downloads are valid.



Metal protective cap, degree of protection: IP67, Alternative product in accordance with RoHS II without Exemption 6c (Pb < 0.1 %) item no.: 1245442

Commercial data

Item number	1627218
Packing unit	1 pc
Minimum order quantity	1 pc
Note	Made to order (non-returnable)
Sales key	AB36
Product key	ABRGAC
Catalog page	Page 182 (C-2-2019)
GTIN	4055626293073
Weight per piece (including packing)	161.4 g
Weight per piece (excluding packing)	161.4 g
Customs tariff number	74198090
Country of origin	DE

SM-Z0077 - Metal protective cap



1627218

<https://www.phoenixcontact.com/us/products/1627218>

Technical data

Product properties

Product type	Protective cap
--------------	----------------

Data management status

Article revision	01
------------------	----

Environmental and real-life conditions

Ambient conditions

Degree of protection	IP67
----------------------	------

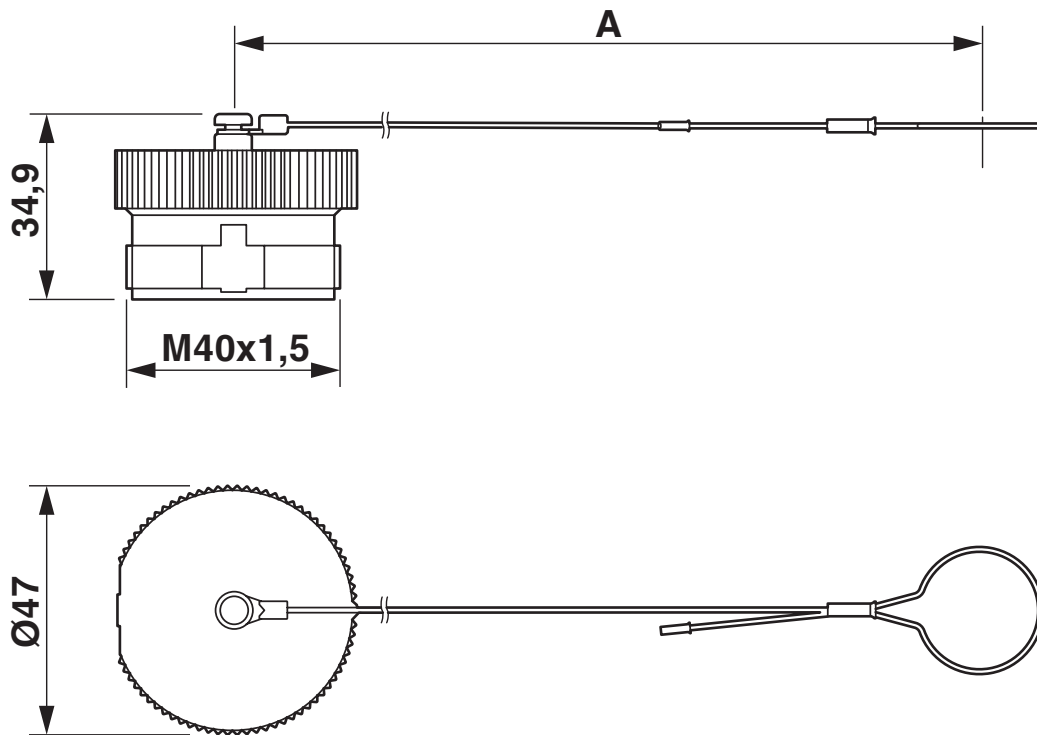
SM-Z0077 - Metal protective cap

1627218

<https://www.phoenixcontact.com/us/products/1627218>

Drawings

Dimensional drawing



Dimension A = 400 mm

SM-Z0077 - Metal protective cap



1627218

<https://www.phoenixcontact.com/us/products/1627218>

Classifications

ECLASS

ECLASS-11.0	27440208
ECLASS-12.0	27440208
ECLASS-13.0	27440208

ETIM

ETIM 9.0	EC002314
----------	----------

UNSPSC

UNSPSC 21.0	39121400
-------------	----------

SM-Z0077 - Metal protective cap



1627218

<https://www.phoenixcontact.com/us/products/1627218>

Environmental product compliance

EU RoHS

Fulfills EU RoHS substance requirements	Yes
Exemption	6(c)

China RoHS

Environment friendly use period (EFUP)	EFUP-50
	An article-related China RoHS declaration table can be found in the download area for the respective article under "Manufacturer declaration". For all articles with EFUP-E, no China RoHS declaration table issued and required.

EU REACH SVHC

REACH candidate substance (CAS No.)	Lead(CAS: 7439-92-1)
SCIP	7124e1d5-2ec4-4ec9-8f2f-725b1af90bc1

Phoenix Contact 2024 © - all rights reserved

<https://www.phoenixcontact.com>

Phoenix Contact USA
586 Fulling Mill Road
Middletown, PA 17057, United States
(+717) 944-1300
info@phoenixcon.com