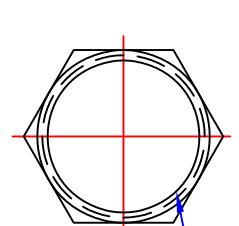
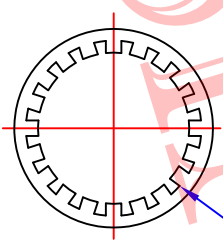
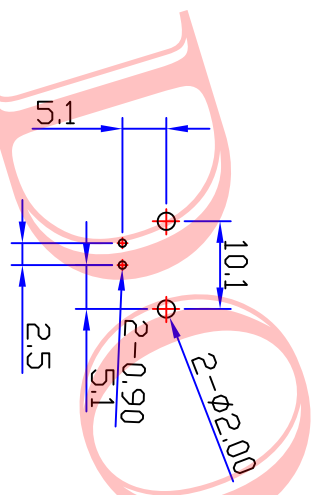
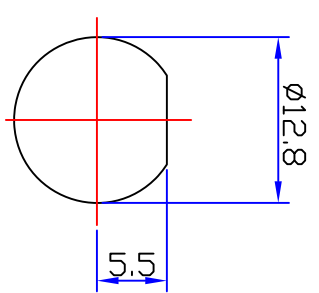
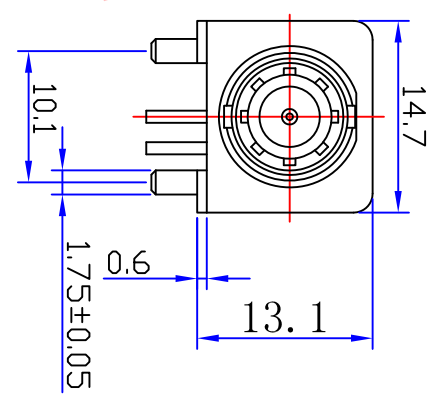
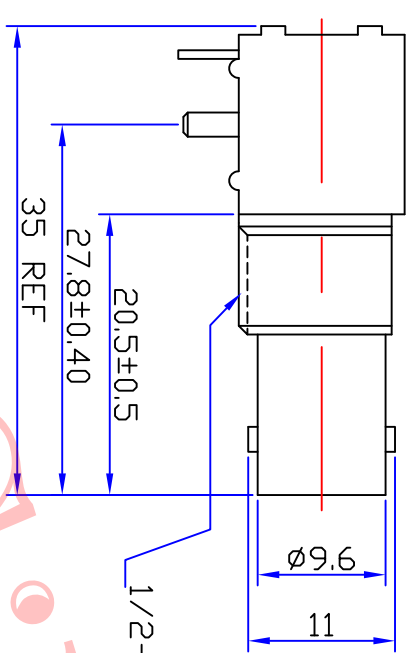
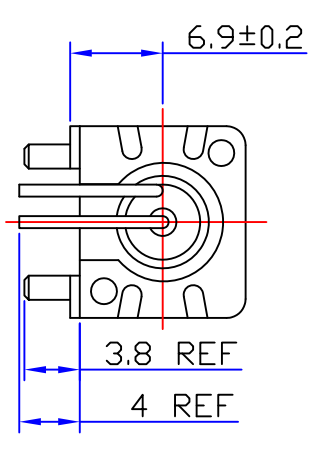




Product NO.		DOSIN-801-0042		
REV	DESCRIPTION	DWN	DATE	APPROVEN
A	First Issue	Mr. Wang	2010/08/19	John Kine



LOCK WASHER

1/2-28UNEF-2B  
CLAMP NUT

**Specification:**  
 Impedance: 50 Ohms  
 VSWR: 1.3MAX  
 Frequency range: DC~4G  
 Working Voltage: 500V rms @ sea level  
 Insulation resistance: 5000 Ohms min  
 Temperature range: -55°C T0 +155°C  
 Relative temperature: ≤95% (40°C ±2°C)  
 Drawings products are in line with ROHS standards.

RECOMMENDED MOUNTING HOLE  
 MAXIMUM PANEL THICKNESS: 5.5MM  
 RECOMMENDED MOUNTING TORQUE:  
 12 INCH-POUNDS MAX

1	Body	Zinc	NI: 80-120u"	NOTE:
2	Center contact	Brass	AU: 1u"	
3	Lead	Iron	AU: 1u"	
4	Fixed footrest	Iron	NI: 80-120u"	
5	Insulator	POM	White	
6	Fixed mount	PBT	White	
7	Washer	IRON	NI: 80-120u"	
8	Hex nut	Brass	NI: 80-120u"	

**DOSIN** COMMERCIAL  
**Dosin Industrial(H.K)Co.,Ltd**  
 东莞市德索五金电子有限公司  
**Dosin Hardware Electronics Co., Ltd**

E-mail: dosin2005@163.com  
 dosin2005@dosin-china.com  
 Web: http://www.chin-guan.com  
 TEL: (0086) 769-81153906  
 FAX: (0086) 769-81875836

Name: BNC Jack 90° PCB Mount

SIZE	Product NO.	CAD FILE	SHEET: 1 OF 1
A	DOSIN-801-0042	D/company drawings/BD	
Date/Time			
2012/04/13			

10	Component Number	Material	Finish	SCALE	UNIT	MM	1:1
9							
8							
7							
6							
5							
4							
3							
2							
1							