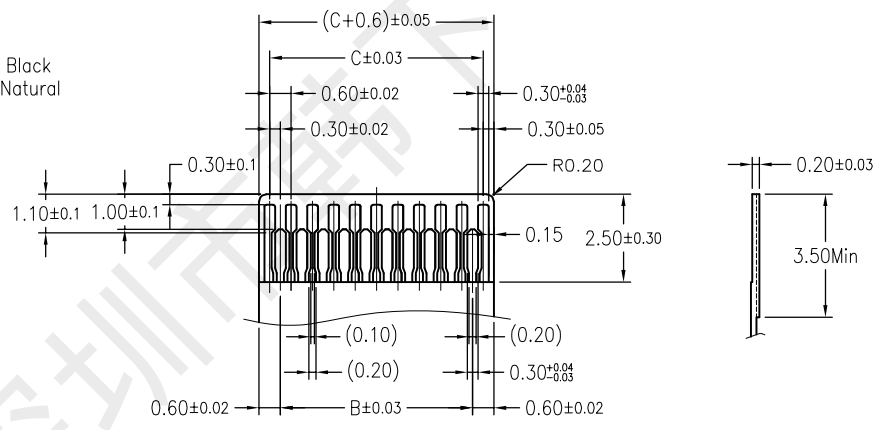


| Number of Contacts | Dimension | | | | |
|--------------------|-----------|-------|-------|-------|-------|
| | A | B | C | D | E |
| 11 | 4.80 | 2.40 | 3.00 | 3.65 | 4.30 |
| 15 | 6.00 | 3.60 | 4.20 | 4.85 | 5.50 |
| 17 | 6.60 | 4.20 | 4.80 | 5.45 | 6.10 |
| 19 | 7.20 | 4.80 | 5.40 | 6.05 | 6.70 |
| 21 | 7.80 | 5.40 | 6.00 | 6.65 | 7.30 |
| 23 | 8.40 | 6.00 | 6.60 | 7.25 | 7.90 |
| 25 | 9.00 | 6.60 | 7.20 | 7.85 | 8.50 |
| 27 | 9.60 | 7.20 | 7.80 | 8.45 | 9.10 |
| 29 | 10.20 | 7.80 | 8.40 | 9.05 | 9.70 |
| 31 | 10.80 | 8.40 | 9.00 | 9.65 | 10.30 |
| 33 | 11.40 | 9.00 | 9.60 | 10.25 | 10.90 |
| 35 | 12.00 | 9.60 | 10.20 | 10.85 | 11.50 |
| 37 | 12.60 | 10.20 | 10.80 | 11.45 | 12.10 |
| 39 | 13.20 | 10.80 | 11.40 | 12.05 | 12.70 |
| 41 | 13.80 | 11.40 | 12.00 | 12.65 | 13.30 |
| 45 | 15.00 | 12.60 | 13.20 | 13.85 | 14.50 |
| 49 | 16.20 | 13.80 | 14.40 | 15.05 | 15.70 |
| 51 | 16.80 | 14.40 | 15.00 | 15.65 | 16.30 |
| 57 | 18.60 | 16.20 | 16.80 | 17.45 | 18.10 |
| 61 | 19.80 | 17.40 | 18.00 | 18.65 | 19.30 |
| 67 | 21.60 | 19.20 | 19.80 | 20.45 | 21.10 |
| 71 | 22.80 | 20.40 | 21.00 | 21.65 | 22.30 |
| 73 | 23.40 | 21.00 | 21.60 | 22.25 | 22.90 |

- Note:
- Material
 - Housing: LCP UL94-V0 Color:Natural.Or Black
 - Actuator: LCP UL94-V0 Color:Black Or Natural
 - Contact: Phosphor Bronze.
 - LEG: Phosphor Bronze.
 - Plating
 - Contact: See Part Number.
 - LEG: Matte Tin Plating Over Nickel.
 - Rating:
 - Operating Voltage: 30V AC/DC.
 - Current Rating: 0.2A AC/DC.
 - Operating Temperature: -25°C~+85°C.



Applicable FPC

-TOLERANCES-
UNLESS OTHERWISE SPECIFIED
公差参考表

| | | | |
|-------|-------|--------|-----|
| X.X | ±0.30 | X.X* | ±5° |
| X.XX | ±0.20 | X.XX* | ±2° |
| X.XXX | ±0.10 | X.XXX* | ±1° |

韩下 HANXIA 深圳市韩下电子有限公司

TITLE: 产品名稱: HX FPC 0.3-11P XGXJ H1.0

DWG NO: 产品料號: FPC0310-xxRL-TAG

DATE SCALE UNIT PAGE

20111004 1:1 mm 1/1

APPD: 核准: 罗小春

CHECK: 校對: 张伟

DRAW: 繪圖: 黄彬

| REV | DESCRIPTION | ECN.NO | BY | DATE |
|-----|-------------|-------------|----|----------|
| D | 主体和盖子外观变更 | 20141204001 | | 12/04'14 |
| C | 添加11PIN规格 | 20140331001 | | 03/31'14 |
| B | 0.70改为0.80 | 20130520001 | | 05/20'13 |
| A | ----- | ----- | | 02/18'13 |