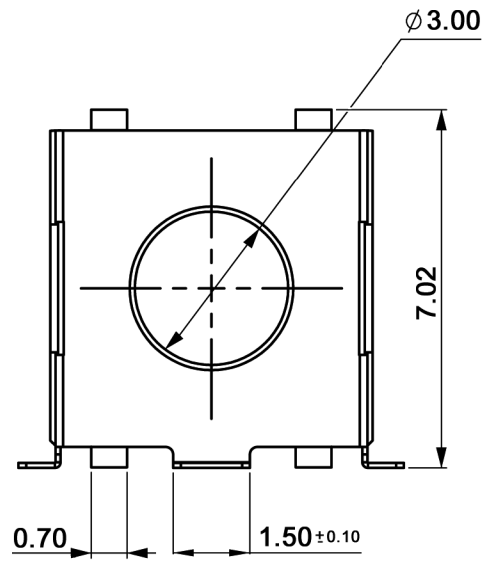
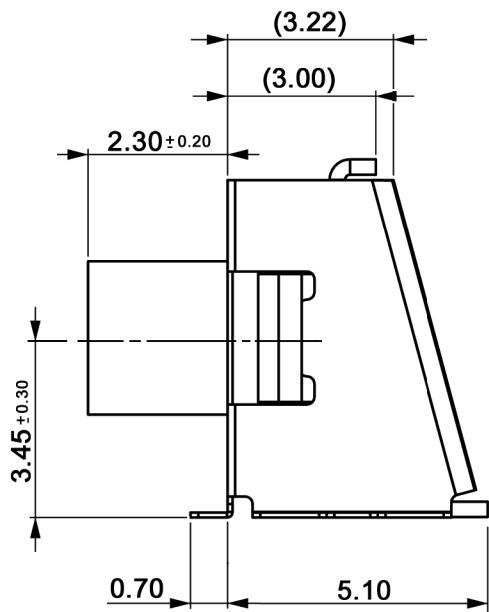
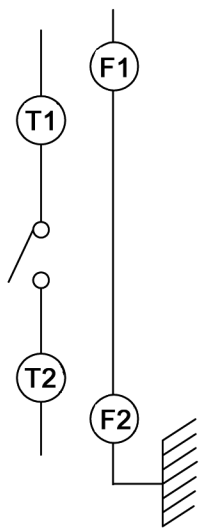
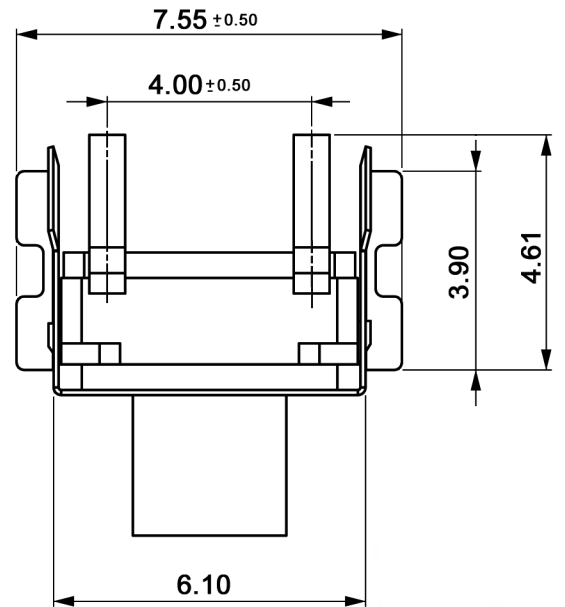
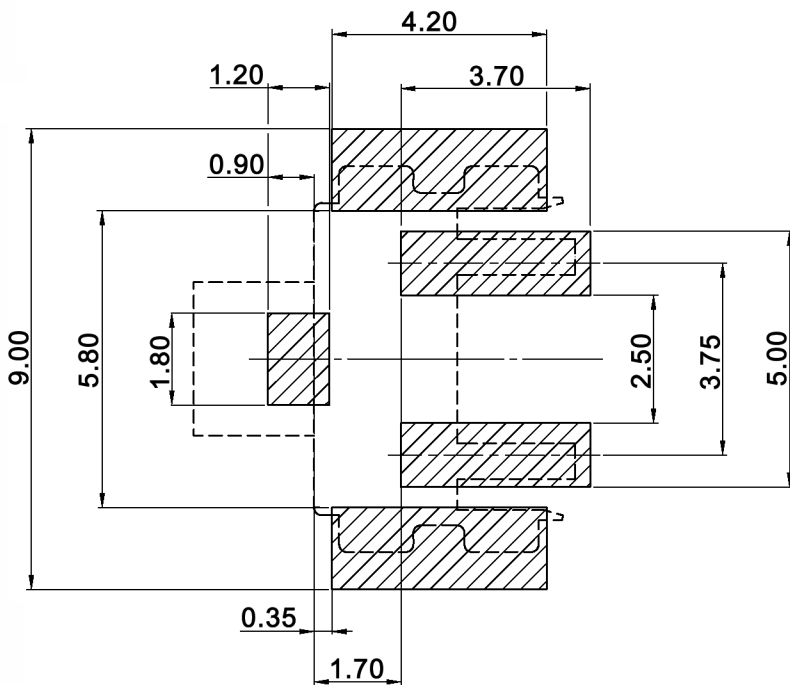


CIRCUIT DIAGRAM



P.C.B. LAYOUT



Compliance: RohS III (2015/863/EU)

| | | |
|---------------------|-------|------|
| Tolerances: ±0.20mm | Date | Name |
| | 02/01 | us |
| | | |
| | | |
| | | |
| Dimension | 08/20 | dr |
| Revised | 04/12 | dr |
| Travel | 08/10 | dr |
| Modifications | Date | Name |

TSSE 623 x-RA-1

knitter-switch

30 02 30

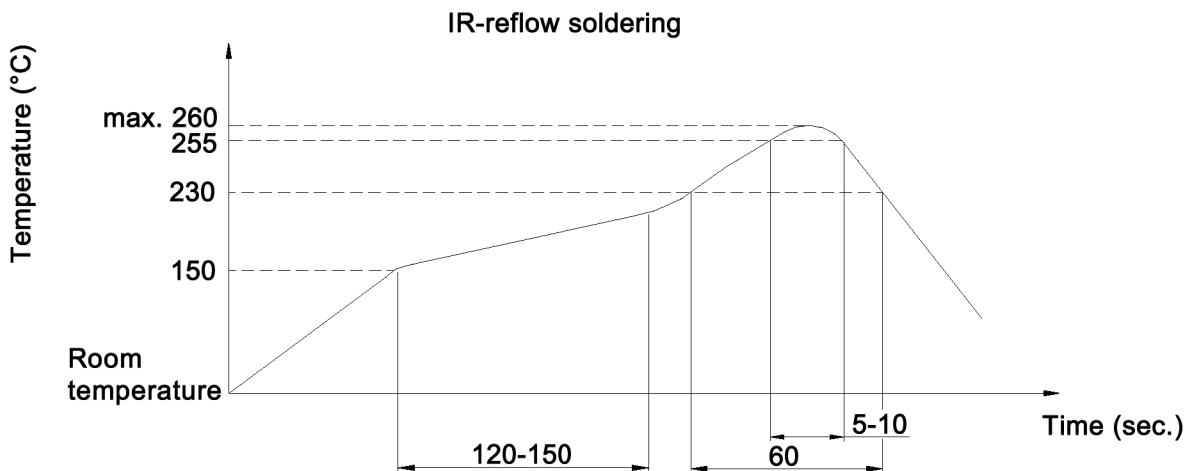
Page

1/2

Specifications:

Contact rating: 50mA, 12V DC
 Contact resistance: 100mOhm max.
 Insulation resistance: 100MOhm min. at 500V DC for 1 minute
 Dielectric strength: 250V AC (50Hz or 60Hz) for 1 minute
 Operating temperature: -40°C to +85°C
 Storage temperature: -40°C to +85°C
 Mechanical life: 500 000 cycles
 Travel: 0.45 +/-0.2mm
 Material: Cover: nickel silver
 Sealed rubber: silicone rubber hardness: 70°-60°
 Contact: phosphor bronze, silver plated
 Terminal: brass, silver plated
 Base: high-temp. thermoplastic PA9T UL94V-0, molded black

Soldering conditions:



| x | Operating force (gf) | Stem colour |
|----|----------------------|-------------|
| R | 260 +/-70 | red |
| N | 180 +/-50 | brown |
| RK | 260 +/-70 | black |
| NK | 180 +/-50 | black |

Compliance: RohS III (2015/863/EU)

| | | | | |
|---------------------|-------|-------|-----------------------|--------------------------|
| Tolerances: ±0.20mm | | Date | Name | <h1>TSSE 623 x-RA-1</h1> |
| | | 02/01 | us | |
| | | | | |
| | | | | |
| Dimension | 08/20 | dr | knitter-switch | <h2>30 02 30</h2> |
| Revised | 04/12 | dr | | |
| Travel | 08/10 | dr | | |
| Modifications | Date | Name | | Page 2/2 |