

# AXL SE DO16/1 NPN - Digital module



1105560

<https://www.phoenixcontact.com/us/products/1105560>

Please be informed that the data shown in this PDF document is generated from our online catalog. Please find the complete data in the user documentation. Our general terms of use for downloads are valid.



Axioline Smart Elements, Digital output module, Digital outputs: 16 (NPN), 24 V DC, 500 mA, connection technology: 1-conductor, degree of protection: IP20

## Product description

You can integrate Axioline Smart Elements into systems with the Smart Element interface. This Smart Element emits digital signals.

## Your advantages

- 16 digital outputs, NPN-wired
- 24 V DC, 500 mA
- Connection of actuators in 1-conductor technology
- Substitute value behavior of the outputs can be parameterized for the Smart Element
- Device rating plate stored

## Commercial data

Item number	1105560
Packing unit	1 pc
Minimum order quantity	1 pc
Sales key	DR05
Product key	DRIB32
GTIN	4055626987323
Weight per piece (including packing)	37.88 g
Weight per piece (excluding packing)	35 g
Customs tariff number	85389091
Country of origin	DE

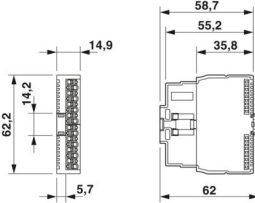
# AXL SE DO16/1 NPN - Digital module

1105560

<https://www.phoenixcontact.com/us/products/1105560>

## Technical data

### Dimensions

Dimensional drawing	
Width	14.9 mm
Height	62.2 mm
Depth	62 mm

### Notes

#### Note on application

Note on application	Only for industrial use
---------------------	-------------------------

### Interfaces

#### Smart Element interface

Number of interfaces	1
Connection method	Card edge connector
Transmission speed	See system in which you use the Smart Element.
Start time until ready to operate	< 500 ms

### System properties

#### Module

ID code (hex)	none
Process data channel	16 bit
Input address area	0 Byte
Output address area	2 Byte
Required parameter data	9 Byte
Required configuration data	6 Byte

### Output data

#### Digital:

Output name	Digital outputs
Connection method	Push-in connection
Connection technology	1-conductor
Number of outputs	16 (NPN)
Protective circuit	Short-circuit and overload protection; electronic
Output voltage	24 V

# AXL SE DO16/1 NPN - Digital module



1105560

<https://www.phoenixcontact.com/us/products/1105560>

Limitation of the voltage induced on circuit interruption	30 V DC ... 55 V DC
Maximum output current per module	6 A (Also make sure that the maximum permissible current of 6 A is not exceeded.)
Nominal output voltage	24 V DC
Load min.	10 kΩ
Output voltage when switched off	min. 23 V (At $U_P = 24$ V DC)
Output current when switched off	max. 100 μA
Nominal load, inductive	12 VA (1.2 H, 48 Ω, with nominal voltage)
Nominal load, lamp	12 W (at nominal voltage)
Nominal load, ohmic	12 W (48 Ω, with nominal voltage)
Switching frequency	max. 1200 per second (With resistive load, at least 50 mA load current)
	max. 1 per second (with inductive load)
	max. 16 per second (with nominal lamp load)
Reverse voltage resistance to short pulses	limited protection up to 0.5 A for 1 s
Behavior with overload	Shutdown with automatic restart
Behavior with inductive overload	Output can be destroyed
Signal delay	max. 100 μs (when switched on)
	max. 100 μs (when switched off, with at least 50 mA load current)
Overcurrent shut-down	min. 0.7 A

## Product properties

Product type	I/O component
Product family	Axiline Smart Elements
Type	modular
Mounting position	See the system in which the Smart Element is used.

## Data management status

Article revision	02
------------------	----

## Insulation characteristics

Overvoltage category	II (IEC 60664-1, EN 60664-1)
Pollution degree	2 (IEC 60664-1, EN 60664-1)

## Electrical properties

Maximum power dissipation for nominal condition	1.85 W
---	--------

## Potentials: Communications power supply of the Smart Elements ( $U_{SE}$ )

Supply voltage	using card edge connectors
----------------	----------------------------

## Potentials: I/O supply ( $U_P$ )

Supply voltage	24 V DC (using card edge connectors)
Supply voltage range	19.2 V DC ... 30 V DC (including all tolerances, including ripple)
Current draw	max. 6 A
Current consumption	min. 14 mA (without connected peripherals)
Protective circuit	Surge protection; See the system in which the Smart Element is used.

# AXL SE DO16/1 NPN - Digital module



1105560

<https://www.phoenixcontact.com/us/products/1105560>

	Reverse polarity protection; parallel diode
Electrical isolation/isolation of the voltage ranges	
Test voltage: Communications supply / 24 V supply (I/O)	500 V AC, 50 Hz, 1 min.
Test voltage: Communications supply / functional ground	500 V AC, 50 Hz, 1 min.
Test voltage: 24 V supply (I/O) / functional ground	500 V AC, 50 Hz, 1 min.

## Connection data

### Connection technology

Connection name	I/O
Note on the connection method	<p>Please observe the information provided on conductor cross sections in the "AxioLine Smart Elements" user manual.</p> <p>With a small conductor cross section and high current, the terminal point temperature can reach up to 31 K above the ambient temperature.</p> <p>When selecting the cables, observe the permissible operating temperature in accordance with IEC or UL.</p>

### Conductor connection

Connection method	Push-in connection
Conductor cross section rigid	0.25 mm <sup>2</sup> ... 1.5 mm <sup>2</sup>
Conductor cross section flexible	0.25 mm <sup>2</sup> ... 1.5 mm <sup>2</sup>
Conductor cross section AWG	24 ... 16
Conductor cross section flexible, with ferrule without plastic sleeve	0.25 mm <sup>2</sup> ... 1.5 mm <sup>2</sup>
Conductor cross section, flexible, with ferrule, with plastic sleeve	0.25 mm <sup>2</sup> ... 1.5 mm <sup>2</sup>
Stripping length	8 mm

### I/O

Connection method	Push-in connection
Note on the connection method	<p>Please observe the information provided on conductor cross sections in the "AxioLine Smart Elements" user manual.</p> <p>With a small conductor cross section and high current, the terminal point temperature can reach up to 31 K above the ambient temperature.</p> <p>When selecting the cables, observe the permissible operating temperature in accordance with IEC or UL.</p>
Conductor cross section, rigid	0.25 mm <sup>2</sup> ... 1.5 mm <sup>2</sup>
Conductor cross section, flexible	0.25 mm <sup>2</sup> ... 1.5 mm <sup>2</sup>
Conductor cross section AWG	24 ... 16
Conductor cross section, flexible, with ferrule, with plastic sleeve	0.25 mm <sup>2</sup> ... 1.5 mm <sup>2</sup>
Conductor cross section flexible, with ferrule without plastic sleeve	0.25 mm <sup>2</sup> ... 1.5 mm <sup>2</sup>
Stripping length	8 mm

## Environmental and real-life conditions

### Ambient conditions

# AXL SE DO16/1 NPN - Digital module



1105560

<https://www.phoenixcontact.com/us/products/1105560>

Ambient temperature (operation)	-25 °C ... 60 °C
Degree of protection	IP20
Air pressure (operation)	70 kPa ... 106 kPa (up to 3000 m above sea level)
Air pressure (storage/transport)	70 kPa ... 106 kPa (up to 3000 m above sea level)
Ambient temperature (storage/transport)	-40 °C ... 85 °C
Permissible humidity (operation)	5 % ... 95 % (non-condensing)
Permissible humidity (storage/transport)	5 % ... 95 % (non-condensing)

## Standards and regulations

Protection class	III (IEC 61140, EN 61140, VDE 0140-1)
------------------	---------------------------------------

## Mounting

Mounting type	Smart Element slot
Mounting position	See the system in which the Smart Element is used.

# AXL SE DO16/1 NPN - Digital module

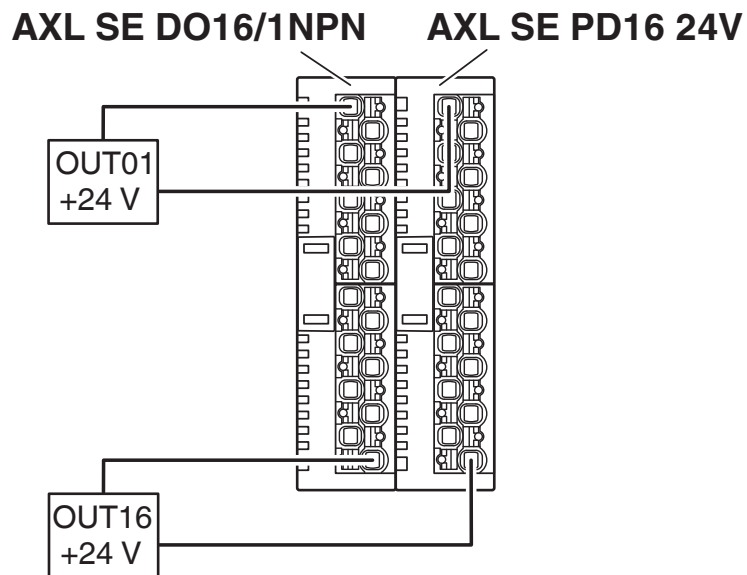
1105560

<https://www.phoenixcontact.com/us/products/1105560>



## Drawings

Connection diagram



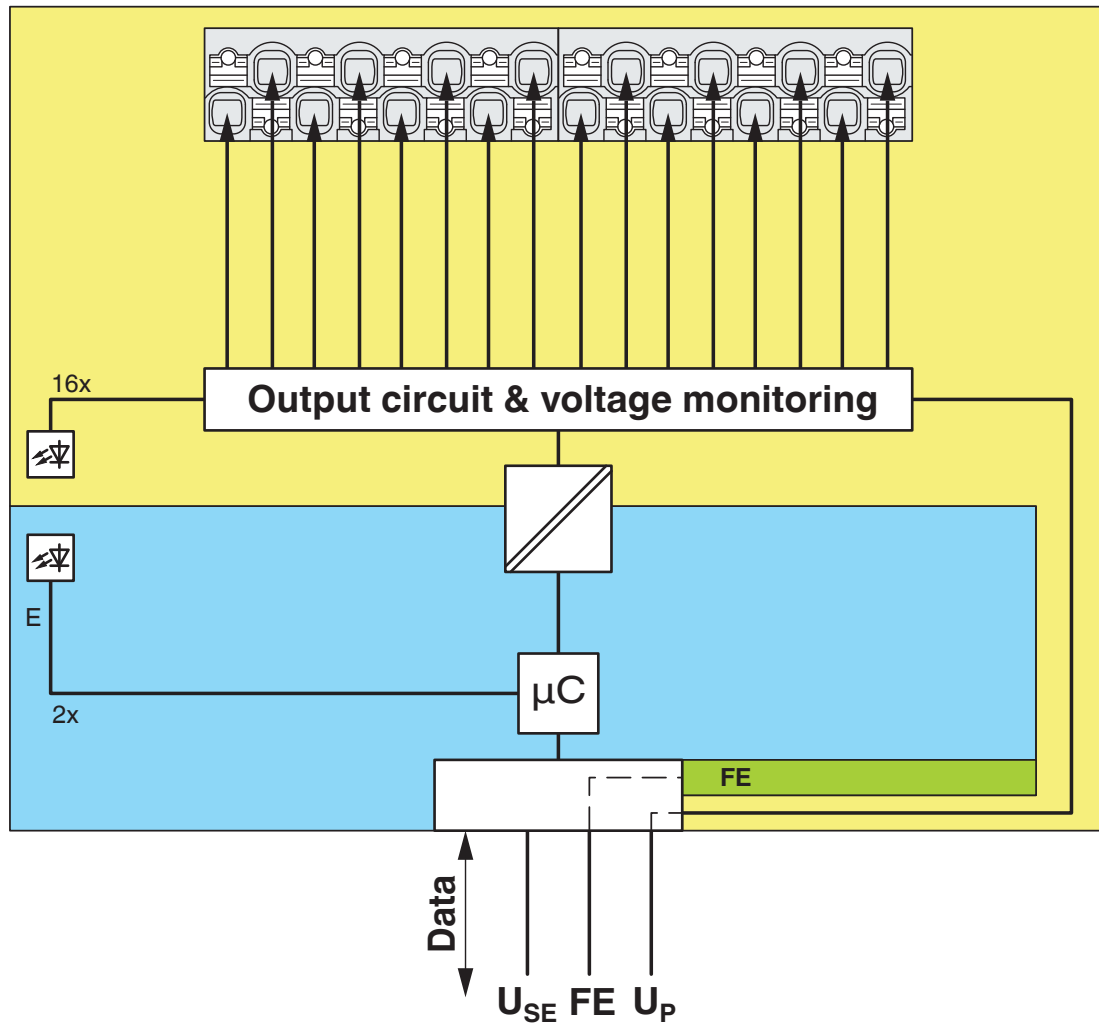
Connection in 2-conductor technology when using AXL SE PD ... (see data sheet)

# AXL SE DO16/1 NPN - Digital module

1105560

<https://www.phoenixcontact.com/us/products/1105560>

Block diagram



Internal wiring of the terminal points

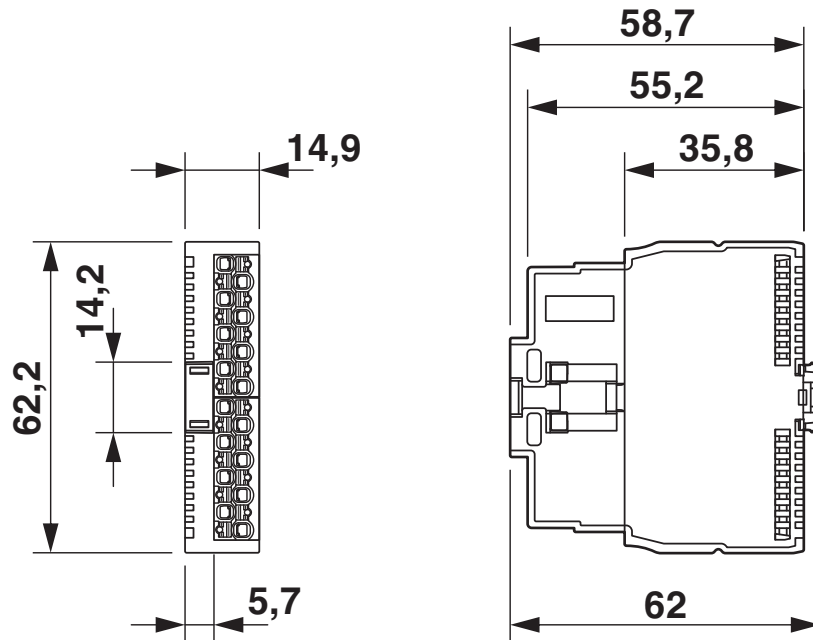
# AXL SE DO16/1 NPN - Digital module

1105560

<https://www.phoenixcontact.com/us/products/1105560>



Dimensional drawing



Dimensions

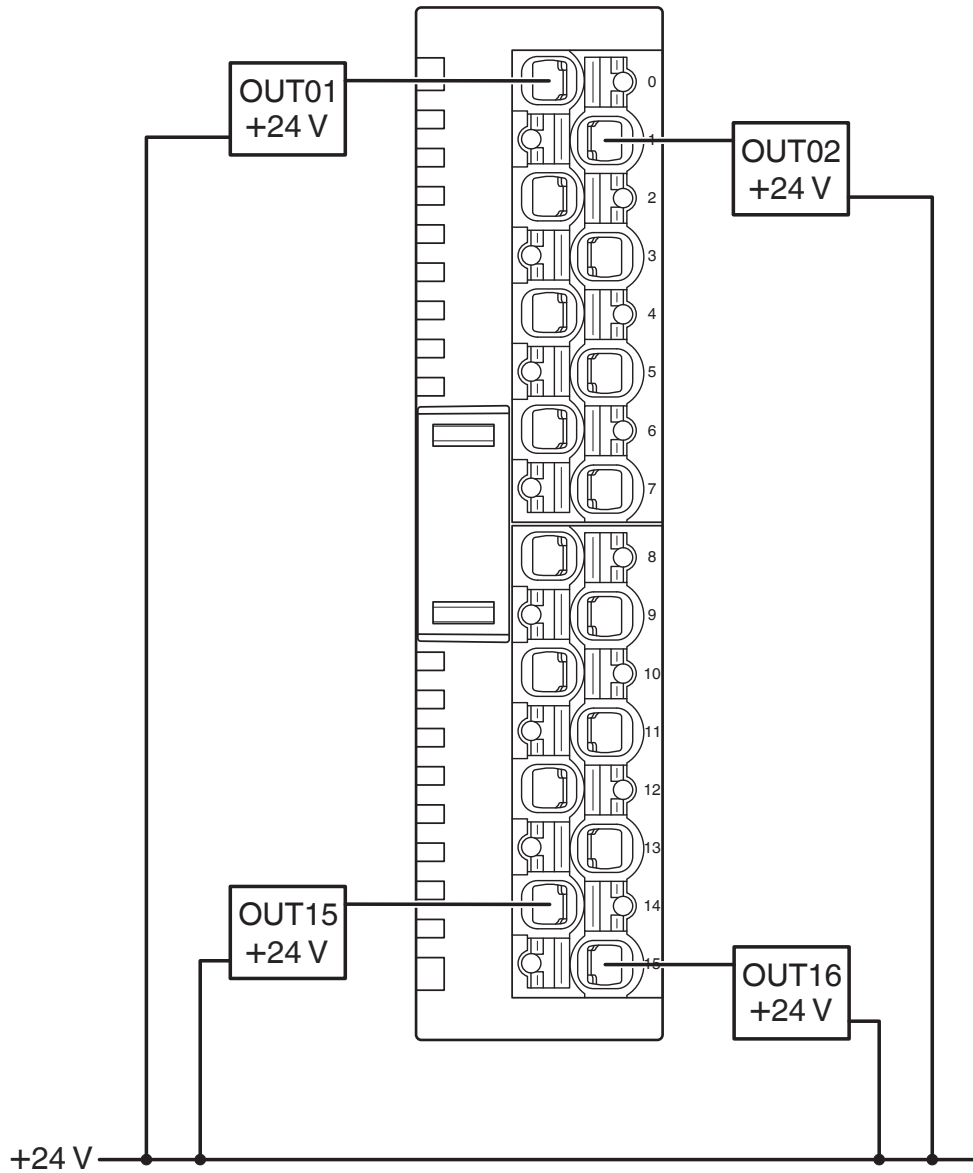


# AXL SE DO16/1 NPN - Digital module

1105560

<https://www.phoenixcontact.com/us/products/1105560>

Connection diagram



Connection in 1-conductor technology

# AXL SE DO16/1 NPN - Digital module



1105560

<https://www.phoenixcontact.com/us/products/1105560>

## Approvals

To download certificates, visit the product detail page: <https://www.phoenixcontact.com/us/products/1105560>



**UL Listed**

Approval ID: E238705



**EAC**

Approval ID: TR\_TS\_D\_01831-19



**cUL Listed**

Approval ID: E238705

**cULus Listed**

# AXL SE DO16/1 NPN - Digital module



1105560

<https://www.phoenixcontact.com/us/products/1105560>

## Classifications

### ECLASS

ECLASS-11.0	27242604
ECLASS-12.0	27242604
ECLASS-13.0	27242604

### ETIM

ETIM 9.0	EC001599
----------	----------

### UNSPSC

UNSPSC 21.0	32151600
-------------	----------

1105560

<https://www.phoenixcontact.com/us/products/1105560>

## Environmental product compliance

### EU RoHS

Fulfills EU RoHS substance requirements	Yes
Exemption	7(a), 7(c)-I

### China RoHS

Environment friendly use period (EFUP)	EFUP-50
	An article-related China RoHS declaration table can be found in the download area for the respective article under "Manufacturer declaration". For all articles with EFUP-E, no China RoHS declaration table issued and required.

### EU REACH SVHC

REACH candidate substance (CAS No.)	Lead(CAS: 7439-92-1)
SCIP	c57b3279-ecca-4e8e-baaf-7d37873f3530

Phoenix Contact 2024 © - all rights reserved

<https://www.phoenixcontact.com>

Phoenix Contact USA  
586 Fulling Mill Road  
Middletown, PA 17057, United States  
(+717) 944-1300  
[info@phoenixcon.com](mailto:info@phoenixcon.com)