

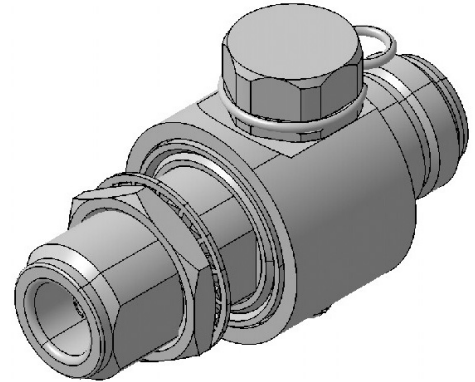
EMP Protector 3401.17.K

Description

GDT technology up to 1.0 GHz

Benefits

DC continuity for remote powering
 The protector can also be installed reversely
 GDT holder with chain
 Delivered without gas discharge tube
 Data refer to GDT 9071.99.0547, 230 V
 Compliant to IEC 61643-21



Product Configuration

Main path connectors	Port 1: <u>unprotected</u> , N jack (female) - Port 2: <u>protected</u> , N jack (female)
Mounting and grounding	MH12 (bulkhead mounting), brk (bracket)
Side of bulkhead	protected side

Technical Data

Electrical Data

Impedance	50 Ω
Frequency range	0 - 1000 MHz
Return loss	≥ 26.4 dB
Insertion loss	≤ 0.1 dB
RF CW power	≤ 150 W
PIM 3rd order	not specified

Surge current handling capability	30 single / 20 multiple kA (test pulse 8/20 μs)
Residual pulse energy	350 μJ typically (test pulse 4 kV 1.2/50 μs / 2 kA 8/20 μs) main path - protected side

Mechanical Data

Number of matings	500
Weight	110 g

Environmental Data

Operating temperature	-40 °C to +85 °C
Waterproof degree	IP66 (according to IEC 60529, data refer to the coupled state)
2011/65/EU (RoHS)	compliant

Material Data

Piece Parts	Material	Surface Plating
Housing	Brass	SUCOPLATE (R) Plating
Port 1 center contact	Copper Beryllium Alloy	Gold Plating (without Nickel underplating)
Port 2 center contact	Copper Beryllium Alloy	Gold Plating (without Nickel underplating)

Related Documents

Outline drawing	DOU-00003945.1
Mounting instruction	DOC-0000176104

Remarks

Customer part number	NATO: NSN 5920-12-321-2510
----------------------	----------------------------

Mouser Electronics

Authorized Distributor

Click to View Pricing, Inventory, Delivery & Lifecycle Information:

[HUBER+SUHNER:](#)

[3401.17.K](#)