

AXL F DI16/4 XC 2F - Digital module



2701224

<https://www.phoenixcontact.com/us/products/2701224>

Please be informed that the data shown in this PDF document is generated from our online catalog. Please find the complete data in the user documentation. Our general terms of use for downloads are valid.



Axioline F, Digital input module, Digital inputs: 16, 24 V DC, connection technology: 4-conductor, Extreme conditions version, transmission speed in the local bus: 100 Mbps, degree of protection: IP20, including bus base module and Axioline F connectors

Product description

The module is designed for use within an Axioline F station. It is used to acquire digital signals. You can adjust the filter times of the inputs to increase noise immunity. Filter times of 100 μ s enable you to implement a counter function with a maximum input frequency of 5 kHz in the application.

Your advantages

- 16 digital inputs in accordance with EN 61131-2 type 1 and type 3
- 24 V DC, 2.4 mA
- Connection of sensors in 2-, 3-, and 4-conductor technology
- Filter times can be adjusted in two increments: < 100 μ s or 500 μ s
- Maximum input frequency: 5 kHz
- Maximum permissible load current per sensor: 2 A
- Maximum permissible load current of the module: 4 A (2 A for each group of a max. 8 sensors)
- Minimum update time of < 100 μ s
- Device rating plate stored
- Can be used under extreme ambient conditions
- Extended temperature range of -40 °C ... +70 °C (see "Tested successfully: use under extreme ambient conditions" in the data sheet)
- Partially coated PCBs

Commercial data

Item number	2701224
Packing unit	1 pc
Minimum order quantity	1 pc
Sales key	DR02
Product key	DRI231
Catalog page	Page 75 (C-6-2019)
GTIN	4046356730877
Weight per piece (including packing)	323 g
Weight per piece (excluding packing)	278 g
Customs tariff number	85389091
Country of origin	DE

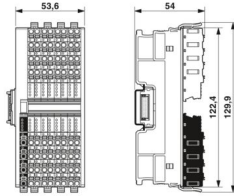
AXL F DI16/4 XC 2F - Digital module

2701224

<https://www.phoenixcontact.com/us/products/2701224>

Technical data

Dimensions

Dimensional drawing	
Width	53.6 mm
Height	129.9 mm
Depth	54 mm
Note on dimensions	The depth applies when a TH 35-7.5 DIN rail is used (in accordance with EN 60715).

Notes

Note on application	
Note on application	Only for industrial use
Utilization restriction	
EMC note	EMC: class A product, see manufacturer's declaration in the download area

Interfaces

Axioline F local bus	
Number of interfaces	2
Connection method	Bus base module
Transmission speed	100 Mbps

System properties

Module	
ID code (hex)	none
Input address area	2 Byte
Output address area	0 Byte
Required parameter data	3 Byte
Required configuration data	6 Byte

Input data

Digital:	
Input name	Digital inputs
Description of the input	EN 61131-2 types 1 and 3
Number of inputs	16

AXL F DI16/4 XC 2F - Digital module



2701224

<https://www.phoenixcontact.com/us/products/2701224>

Connection method	Push-in connection
Connection technology	4-conductor
Input voltage range "0" signal	-3 V DC ... 5 V DC
Input voltage range "1" signal	11 V DC ... 30 V DC
Nominal input voltage U_{IN}	24 V DC
Nominal input current at U_{IN}	2.4 mA
Input filter time	500 μ s (Default) < 100 μ s
Protective circuit	Polarity reversal protection of the inputs; electronic

Product properties

Product type	I/O component
Product family	Axioline F
Type	block modular
Mounting position	any (no temperature derating)
Scope of delivery	including bus base module and Axioline F connectors
Special properties	Extreme conditions version

Data management status

Article revision	08
------------------	----

Insulation characteristics

Overvoltage category	II (IEC 60664-1, EN 60664-1)
Pollution degree	2 (IEC 60664-1, EN 60664-1)

Electrical properties

Maximum power dissipation for nominal condition	2.3 W
---	-------

Potentials: Axioline F local bus supply (U_{BUS})

Supply voltage	5 V DC (via bus base module)
Current draw	max. 120 mA (HW 00) max. 60 mA (from HW 01)

Potentials: Supply for digital input modules (U_I)

Supply voltage	24 V DC
Supply voltage range	19.2 V DC ... 30 V DC (including all tolerances, including ripple)
Current draw	max. 4 A (Sensor supply U_S)
Protective circuit	Surge protection; electronic (35 V, 0.5 s) Reverse polarity protection; parallel diode; with external 5 A fuse (only for commissioning)

Supply: Sensor supply (U_S)

Designation	Sensor supply (U_S)
Supply voltage	24 V DC (from U_I)

Electrical isolation/isolation of the voltage ranges

AXL F DI16/4 XC 2F - Digital module



2701224

<https://www.phoenixcontact.com/us/products/2701224>

Test voltage: 5 V supply of the local bus (U_{BUS}) / 24 V supply (I/Os)	500 V AC, 50 Hz, 1 min.
Test voltage: 5 V supply of the local bus (U_{BUS}) / functional ground	500 V AC, 50 Hz, 1 min.
Test voltage: 24 V supply (I/O) / functional ground	500 V AC, 50 Hz, 1 min.

Connection data

Connection technology

Connection name	Axioline F connector
Note on the connection method	Please observe the information provided on conductor cross sections in the "Axioline F: system and installation" user manual.

Conductor connection

Connection method	Push-in connection
Conductor cross section rigid	0.2 mm ² ... 1.5 mm ²
Conductor cross section flexible	0.2 mm ² ... 1.5 mm ²
Conductor cross section AWG	24 ... 16
Stripping length	8 mm

Axioline F connector

Connection method	Push-in connection
Note on the connection method	Please observe the information provided on conductor cross sections in the "Axioline F: system and installation" user manual.
Conductor cross section, rigid	0.2 mm ² ... 1.5 mm ²
Conductor cross section, flexible	0.2 mm ² ... 1.5 mm ²
Conductor cross section AWG	24 ... 16
Stripping length	8 mm

Environmental and real-life conditions

Ambient conditions

Ambient temperature (operation)	-25 °C ... 60 °C (Standard, applications with UL approval, use in zone 2 potentially explosive area) -40 °C ... 70 °C (Extended, see section "Tested successfully: use under extreme ambient conditions" in the data sheet.)
Degree of protection	IP20
Air pressure (operation)	70 kPa ... 106 kPa (up to 3000 m above sea level)
Air pressure (storage/transport)	70 kPa ... 106 kPa (up to 3000 m above sea level)
Ambient temperature (storage/transport)	-40 °C ... 85 °C
Permissible humidity (operation)	5 % ... 95 % (non-condensing)
Permissible humidity (storage/transport)	5 % ... 95 % (non-condensing)

Standards and regulations

Protection class	III (IEC 61140, EN 61140, VDE 0140-1)
------------------	---------------------------------------

Approvals

ATEX

AXL F DI16/4 XC 2F - Digital module



2701224

<https://www.phoenixcontact.com/us/products/2701224>

Identification	Ⓜ II 3 G Ex ec IIC T4 Gc
Certificate	UL 20 ATEX 2441X
References to standards	EN IEC 60079-0, EN IEC 60079-7

UKEX

Identification	Ⓜ II 3 G Ex ec IIC T4 Gc
Certificate	PxCIMA22UKEX2701949X
References to standards	EN IEC 60079-0, EN IEC 60079-7

IECEX

Identification	Ex ec IIC T4 Gc
Certificate	IECEX ULD 20.0026X
References to standards	IEC 60079-0 Ed. 7, IEC 60079-7 Ed. 5.1

UL, USA/Canada

Identification	cULus
Certificate	E238705

UL Ex, USA / Canada

Identification	Class I, Zone 2, AEx ec IIC T4
	Class I, Division 2, Groups A, B, C, D, T4
	Ex ec IIC T4 Gc X
Certificate	E366272
References to standards	UL 60079-0 Ed. 7 / CSA C22.2 NO. 60079-0 Ed. 4
	UL 60079-7 Ed. 5 / CSA C22.2 NO. 60079-7 Ed. 2

CCC / China-Ex

Identification	Ex ec IIC T4 Gc
Certificate	ⓂⓈ.  Ⓢ
References to standards	GB/T 3836.1-2021, GB/T 3836.3-2021

Mounting

Mounting type	DIN rail mounting
Thread type	()
Mounting position	any (no temperature derating)

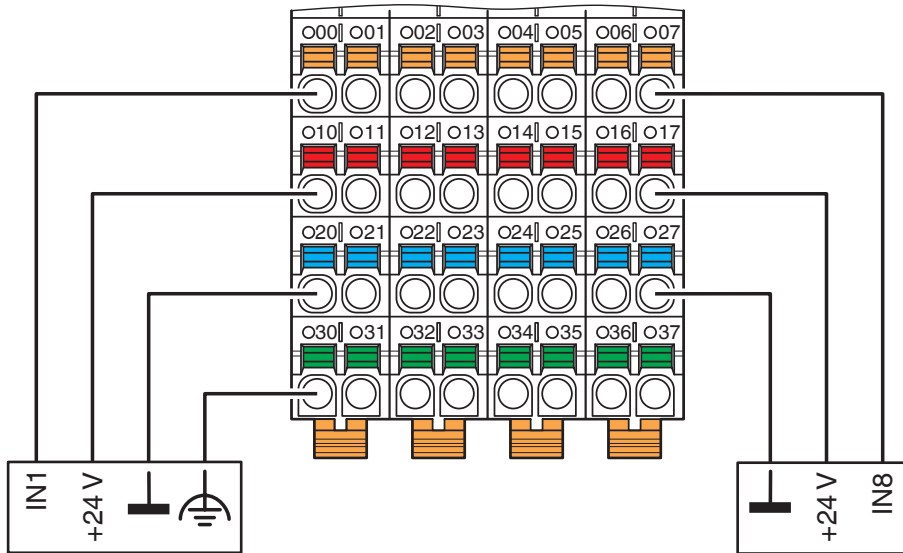
AXL F DI16/4 XC 2F - Digital module

2701224

<https://www.phoenixcontact.com/us/products/2701224>

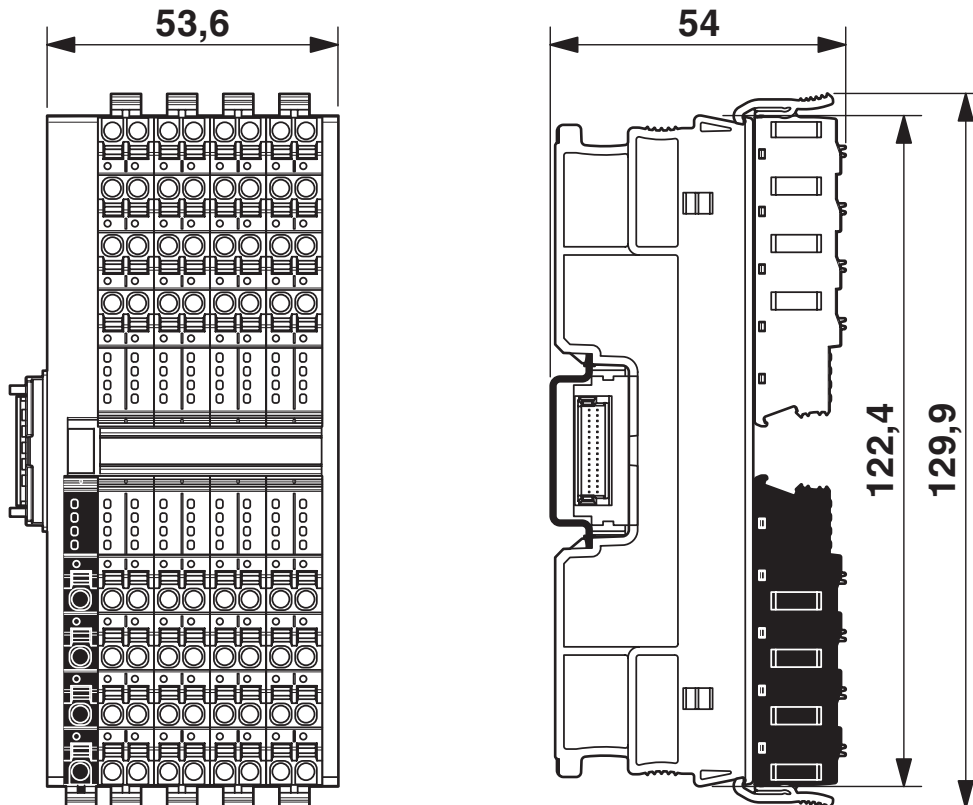
Drawings

Connection diagram



Connection example

Dimensional drawing



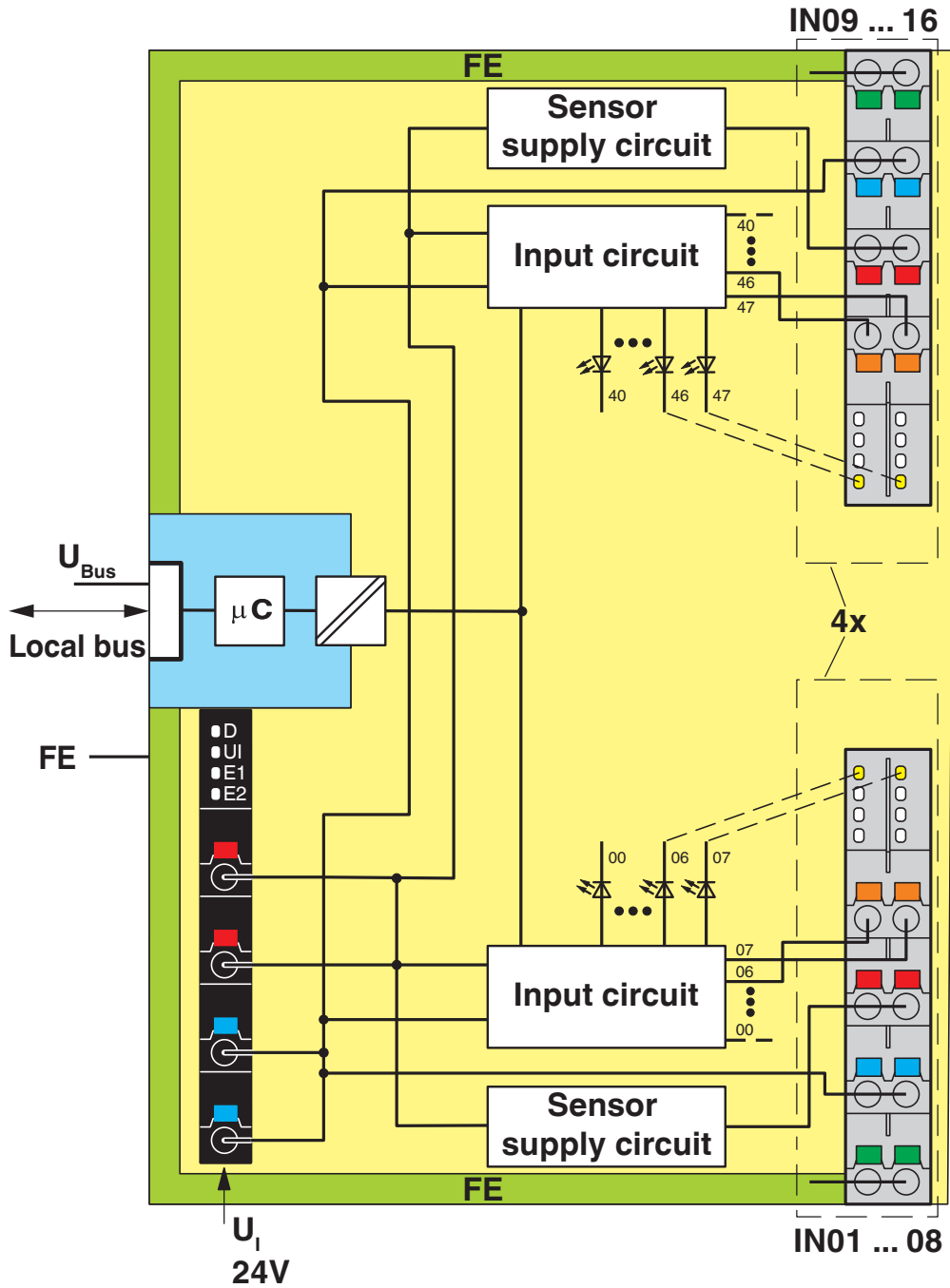
Dimensions

AXL F DI16/4 XC 2F - Digital module

2701224

<https://www.phoenixcontact.com/us/products/2701224>

Block diagram



Internal wiring of the terminal points

AXL F DI16/4 XC 2F - Digital module



2701224

<https://www.phoenixcontact.com/us/products/2701224>

Approvals

To download certificates, visit the product detail page: <https://www.phoenixcontact.com/us/products/2701224>



DNV GL

Approval ID: TAA0000DF Rev.12



LR

Approval ID: LR2480202TA



NK

Approval ID: 14A006



BV

Approval ID: 36433/B4 BV



PRS

Approval ID: TE/1020/880590/21

BSH

Approval ID: 840



RINA

Approval ID: ELE008423XG

ABS

Approval ID: 20-2059154-PDA

UAE-RoHS

Approval ID: 23-02-63242



cULus Listed

Approval ID: E238705



IECEX

Approval ID: IECEX ULD 20.0026X

AXL F DI16/4 XC 2F - Digital module



2701224

<https://www.phoenixcontact.com/us/products/2701224>



ATEX

Approval ID: UL 20 ATEX 2441X



cULus Listed

Approval ID: E366272



CCC

Approval ID: 2021122309114456_CN

AXL F DI16/4 XC 2F - Digital module



2701224

<https://www.phoenixcontact.com/us/products/2701224>

Classifications

ECLASS

ECLASS-11.0	27242604
ECLASS-12.0	27242604
ECLASS-13.0	27242604

ETIM

ETIM 9.0	EC001599
----------	----------

UNSPSC

UNSPSC 21.0	32151600
-------------	----------

AXL F DI16/4 XC 2F - Digital module



2701224

<https://www.phoenixcontact.com/us/products/2701224>

Environmental product compliance

EU RoHS

Fulfills EU RoHS substance requirements	Yes
Exemption	7(a), 7(c)-I

China RoHS

Environment friendly use period (EFUP)	EFUP-50
	An article-related China RoHS declaration table can be found in the download area for the respective article under "Manufacturer declaration". For all articles with EFUP-E, no China RoHS declaration table issued and required.

EU REACH SVHC

REACH candidate substance (CAS No.)	Lead(CAS: 7439-92-1)
SCIP	9373a524-9336-45f2-8c57-d32ae311acad

Phoenix Contact 2024 © - all rights reserved
<https://www.phoenixcontact.com>

Phoenix Contact USA
586 Fulling Mill Road
Middletown, PA 17057, United States
(+717) 944-1300
info@phoenixcon.com