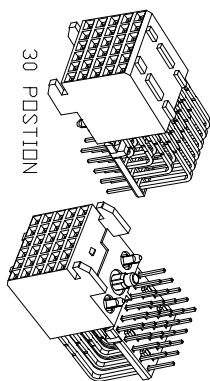
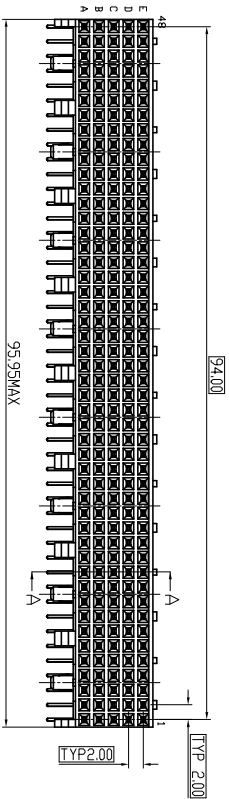
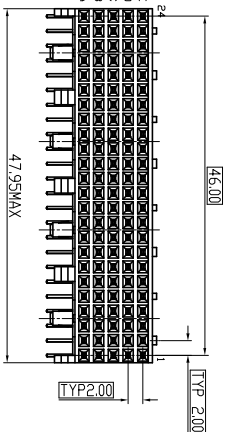
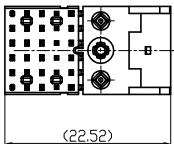
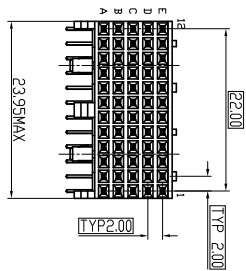
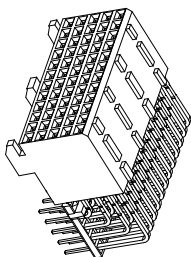


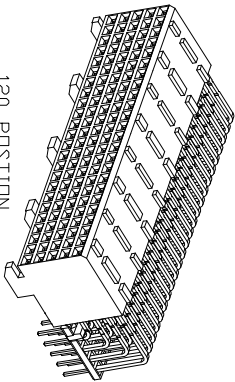
SEE NOTE 8



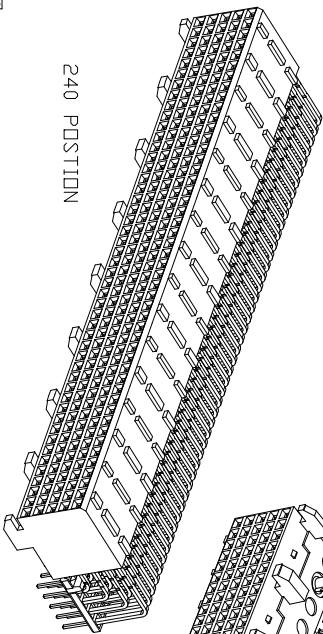
30 POSITION



60 POSITION



120 POSITION



240 POSITION

NOTE: UNLESS OTHERWISE SPECIFIED,

1. CONNECTOR MATERIALS:
HOUSING: GLASS FILLED THERMOPLASTIC,
UL 94-V0 COMPLIANT
KEEPER: GLASS FILLED THERMOPLASTIC,
UL 94-V0 COMPLIANT
TERMINAL: PHOSPHOR BRONZE ALLOY.

2. PACKED IN TUBES.

3. FEATURE MAY OR MAY NOT BE PRESENT DEPENDING UPON THE MOLD TOOL USED TO PRODUCE PRODUCT.

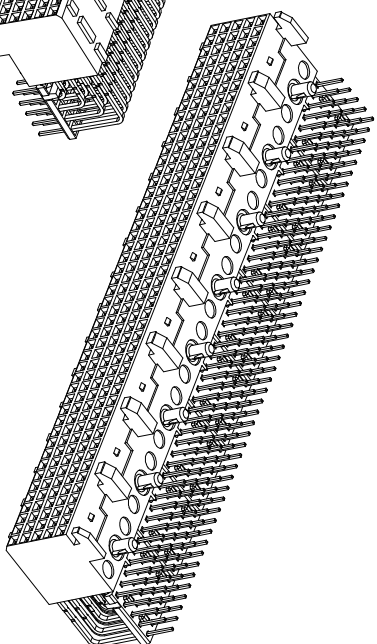
4. PRODUCT SPECIFICATION: GS-12-177.

5. APPLICATION SPECIFICATION: GS-20-015.

6. THE PRODUCTS WHERE THE PART NUMBER ENDS IN 'L' MEET THE EUROPEAN UNION DIRECTIVES AND OTHER COUNTRY REGULATIONS AS DESCRIBED IN GS-22-008.

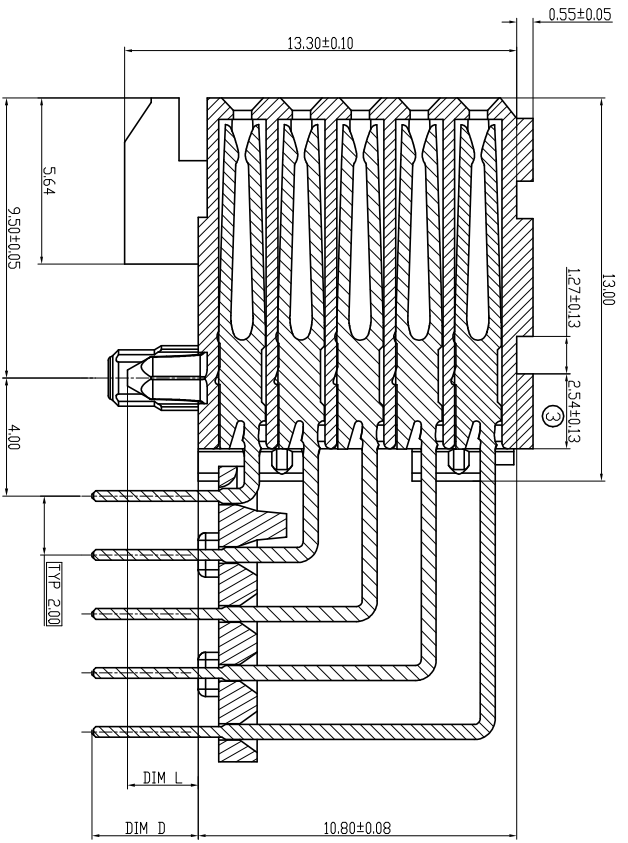
7. ALL PRODUCTS WILL WITHSTAND EXPOSURE TO 260° C FOR 60 SECONDS IN CONVECTION, INFRARED OR VAPOR PHASE REFLUX OVEN.

8. LOCATION PEGS ARE ONLY EXISTED IN ONE MODULE.



mat'l. code	surface	tolerance	projection	product family
lt	ISO 1302	ISO 406/ISO 1101	as specified	METRAL(tm) HPL559
U	EX-N-25326 Nick	07/14/17	angle 5° 0.±.3	T SERIES R/A
N	D006-0534 Camh	14/12/06	0.±.2 0.00±.13	RECEPTACLE ASSY,5 RIW,STB
P	D008-0173 TER	02/07/08	0.±.2 0.00±.051	scale 1:1
R	N10-0382 Camh	11/12/10	engf	Amphenol FCI
S	EX-N-23029 NICK	01/13/16	chr	dwg no
T	EX-N-27474 NICK	7/17/17	qppd	SE96847
sheet	revision	U		sheet 1 of 3 size
index	sheet	1		A4

240 POSITION



SECTION A-A

TABLE 1

	PCB THICKNESS	DIM D	DIM L	RETENTION FEATURES
HMI F 5_T A R 000 H6	1.60	2.90±0.30	5.20	PRESS-FIT PEGS
HMI F 5_T B R 000 H6	2.40	3.60±0.30		
HMI F 5_T A P 000 H6	1.60	2.90±0.30	3.00	
HMI F 5_T B P 000 H6	2.40	3.60±0.30	3.00	PRESS-FIT PEGS

TABLE 2

CODE	CONTACT AREA	PERFORMANCE LEVEL
6	0.75µm Au Min over 1.3µm Ni Min or 0.68µm PdNi Min + 0.08µm Au Min over 1.3µm Ni Min.	TELCORDIA CD

CATALOG NUMBER DESCRIPTION

HMI F 5_T = P 000 H 6 LF

LF = LEAD FREE Sn PLATING ON TAILS

PRODUCT FAMILY
 HMI = METRAL HMI

PRODUCT TYPE
 F = FEMALE SIGNAL, RIGHT ANGLE

NUMBER OF ROWS
 5 = 5 ROW

BODY LENGTH
 1 = 12.00 (30 POSITION SIGNAL)
 2 = 24.00 (60 POSITION SIGNAL)
 3 = 48.00 (120 POSITION SIGNAL)
 4 = 96.00 (240 POSITION SIGNAL)

MATING CONTACT
 T = TWISTED FEMALE

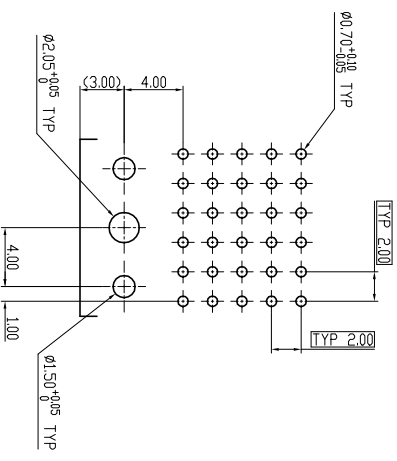
PCB TERMINATION TYPE
 A = SOLDER TAIL, FOR 16mm PCB
 B = SOLDER TAIL, FOR 2.4mm PCB

BOARD ATTACHMENT
 P = PRESS-FIT RETENTION PEG

PERFORMANCE LEVEL
 SEE TABLE 2
 (6 = TELCORDIA CD)

INSULATING MATERIAL
 H = HIGH TEMPERATURE MATERIAL

VARIATIONS
 000 = STANDARD



RECOMMENDED PCB BOARD LAYOUT,
 COMPONENT SIDE
 SEE PRINT 58351 FOR ADDITIONAL
 PCB INFORMATION

mat'l. code	surface	tolerance	projection	product family
ISO 1302	ISO 406/ISO 1101	specified	METRAL(tm) HPL559	
lt r	ecn no dr	date	title	
U			T SERIES R/A	
	angle	0±.3	RECEPTACLE ASSY,5 RIW,STB	
	angle	.00±.13		
	dr	0±.2	scale 1:1	
	dr	.000±.051		
	engr	V.SEBASTIAN		
	chr	7/14/05		
	chr	7/14/05		
	qppd	7/14/05		
sheet	revision	U	Amphenol FCI	
index	sheet	1	Product Customer Drawing	

CATALOG NUMBER DESCRIPTION

PRODUCT FAMILY
HMI = METRAL HMI

PRODUCT TYPE
F = FEMALE SIGNAL, RIGHT ANGLE

NUMBER OF ROWS
5 = 5 ROW

BODY LENGTH
1 = 12.00 (30 POSITION SIGNAL)
2 = 24.00 (60 POSITION SIGNAL)
3 = 48.00 (120 POSITION SIGNAL)
4 = 96.00 (240 POSITION SIGNAL)

MATING CONTACT
T = TWISTED FEMALE

PCB TERMINATION TYPE
A = SOLDER TAIL, FOR 16mm PCB
B = SOLDER TAIL, FOR 24mm PCB

HMI F S _ T _ P 400 H _ LF

LF = LEAD FREE Sn PLATING ON TAILS

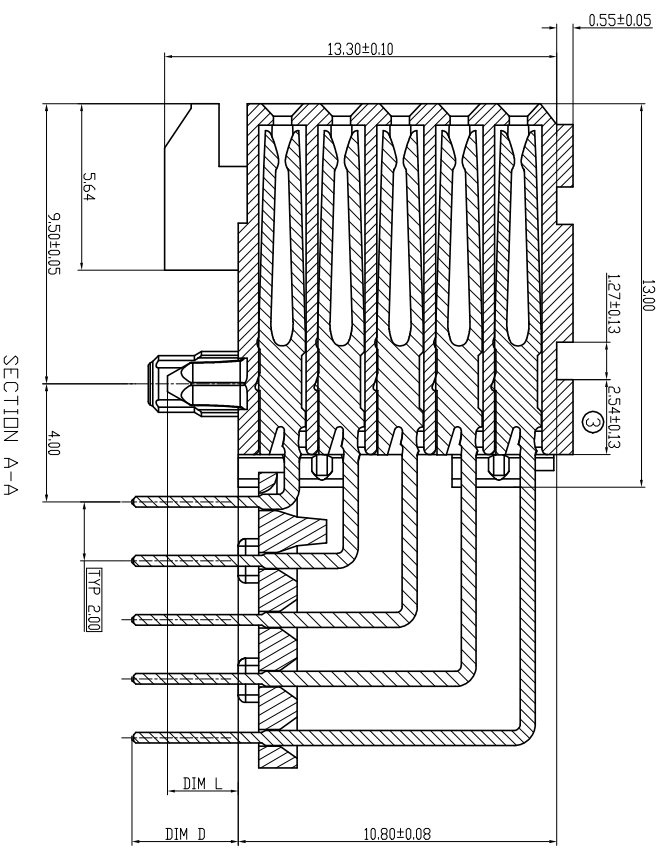
P = PACKAGED IN TRAYS
- = SEE PACKAGE SPEC GS-14-1228

PERFORMANCE LEVEL
6 = TELDORIDA CD

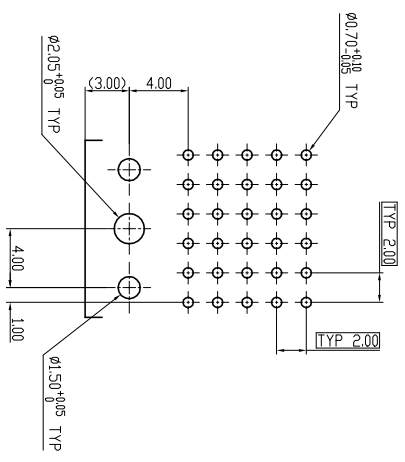
INSULATING MATERIAL
H = HIGH TEMPERATURE MATERIAL

SPECIAL DATA:
VISUAL INSPECTION: 100%
- MARKING FAILURES
- HOUSING MATERIAL FAILURES
- SPLIT HOUSING
- STAINED HOUSING
- BROKEN CONTACTS (twisted or Loosen)

BOARD ATTACHMENT
P = PRESS-FIT RETENTION PEG



HMI F S _ T A P 400 H _ LF	PCB THICKNESS	PCB THICKNESS	RETENTION FEATURES
HMI F S _ T B P 400 H _ LF	1.60	2.90 ±0 .30	PRESS-FIT PEGS
	2.40	3.60 ±0 .30	



RECOMMENDED PC BOARD LAYOUT,
COMPONENT SIDE
SEE PRINT 58351 FOR ADDITIONAL
PCB INFORMATION

mat'l. code	surface	tolerance	projection	product family
ltr	ISO 1302	ISO 406/ISO 1101	ISO 1101	METRAL(tm) HPL559
U	tolerances unless otherwise specified			
ecn no	dr	angle	mm	
		0±.3		
		0.00±.13		
		0±.2	scale 1:1	
	dr	V.SEBASTIAN	7/14/05	
	eng	J.VOLSTROF	7/14/05	
	chr	J.VOLSTROF	7/14/05	
	qppd	J.VOLSTROF	7/14/05	
sheet	revision			
index	sheet	1		



Amphenol
FCI

dwg no
SE96847

sheet 3 of 3 size
A4

type
Product Customer Drawing