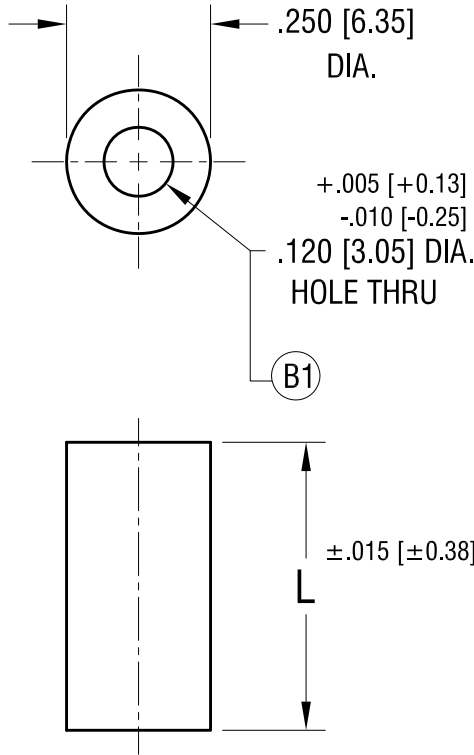


THIS DOCUMENT IS THE PROPERTY OF
KEYSTONE ELECTRONICS CORP. AND
SHALL NOT BE REPRODUCED, DISTRIBUTED
OR USED AS A BASIS FOR MANUFACTURE
WITHOUT PRIOR WRITTEN PERMISSION
FROM KEYSTONE ELECTRONICS CORP.



PART NO.	'L' DIM.
875	.125 [3.18]
876	.250 [6.35]
877	.375 [9.52]
878	.500 [12.70]
879	.625 [15.88]
880	.750 [19.05]
881	.875 [22.23]
882	1.000 [25.4]

DATE	DESCRIPTION	REV.
10.26.15	(B1) WAS .120+.010/- .005 CHANGE AS PER ECN15-127	B
5.21.04	CHANGE AS PER ECN 04-039	A

KEYSTONE ELECTRONICS CORP.			
www.keyelco.com • ASTORIA, N.Y. 11105-2017 • Tel (718) 956-8900			
PART NAME NYLON THRU-HOLE SPACER			
MATERIAL NYLON 6/6			
FINISH -	DRN BY BOONE	DATE 2.10.98	
	APP'D LN	SCALE 3X	
TOLERANCES INCH [MM] DECIMAL ± .005 [± 0.13] ANGULAR ± 1° UNLESS OTHERWISE SPECIFIED	CODE C	DWG NO. 875-882	