

PACT V1-21-44-125-5A-05-2 - Current transformer



2902549

<https://www.phoenixcontact.com/us/products/2902549>

Please be informed that the data shown in this PDF document is generated from our online catalog. Please find the complete data in the user documentation. Our general terms of use for downloads are valid.



Bus-bar current transformer, 125 A AC primary current; 5 A AC secondary current; accuracy class 0.5; 2 VA rated power

Commercial data

Item number	2902549
Packing unit	1 pc
Minimum order quantity	1 pc
Product key	CK4A11
GTIN	4046356662987
Weight per piece (including packing)	221.3 g
Weight per piece (excluding packing)	198 g
Country of origin	DE

Technical data

Product properties

Product type	Current transformer
--------------	---------------------

Electrical properties

Rated insulation voltage	1 kV
--------------------------	------

General

Can be calibrated	no
Class	0.5
Converter type	Bus-bar current transformer

Input data

Current transformers

Rated power	2 VA
Thermal rated continuous current	$I_d = 1.2 \cdot I_n$
Rated frequency f_n	50 Hz
	60 Hz
Primary rated current I_{pn}	0 A ... 125 A
Can be calibrated	no
Class	0.5
Converter type	Bus-bar current transformer

Output data

Signal

Secondary rated current I_{sn}	5 A AC
Accuracy class	0.5

Connection data

Connection method	Screw connection
Conductor cross section flexible	2x 2.5 mm ² ... 4 mm ² (Secondary terminals)

Dimensions

Item dimensions

Width	30 mm
Height	66 mm
Depth	44 mm

Item dimensions with alternative mounting

Width	44 mm
Height	66 mm
Depth	30 mm

PACT V1-21-44-125-5A-05-2 - Current transformer



2902549

<https://www.phoenixcontact.com/us/products/2902549>

Circular conductor

Diameter	21 mm
----------	-------

Material specifications

Color	black (RAL 9005)
Housing material	Polyamide PA fiberglass reinforced

Environmental and real-life conditions

Ambient conditions

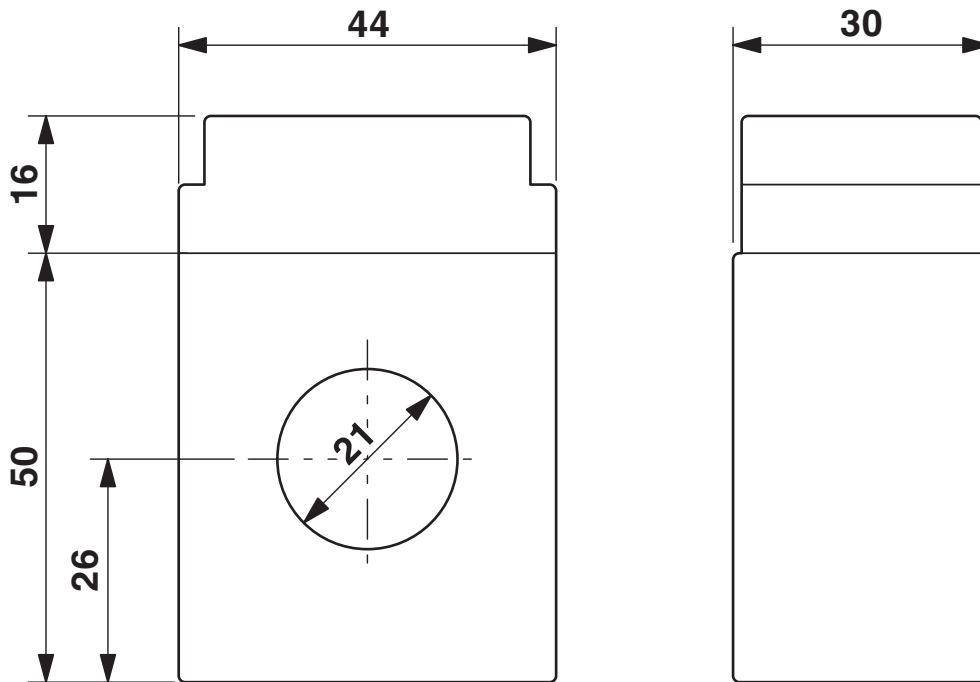
Ambient temperature (operation)	-25 °C ... 40 °C
Ambient temperature (storage/transport)	-25 °C ... 40 °C

Standards and regulations

Standards/regulations	IEC 60044-1
-----------------------	-------------

Drawings

Dimensional drawing



2902549

<https://www.phoenixcontact.com/us/products/2902549>

Environmental product compliance

China RoHS

Environment friendly use period (EFUP)	EFUP-50
	An article-related China RoHS declaration table can be found in the download area for the respective article under "Manufacturer declaration". For all articles with EFUP-E, no China RoHS declaration table issued and required.

EU REACH SVHC

REACH candidate substance (CAS No.)	No substance above 0.1 wt%
-------------------------------------	----------------------------

Phoenix Contact 2024 © - all rights reserved
<https://www.phoenixcontact.com>

Phoenix Contact USA
586 Fulling Mill Road
Middletown, PA 17057, United States
(+717) 944-1300
info@phoenixcon.com