

Jul.1.2024 Copyright 2024 HIROSE ELECTRIC CO., LTD. All Rights Reserved.
 In case of consideration for using Automotive equipment / device which demand high reliability, kindly contact our sales window correspondents.

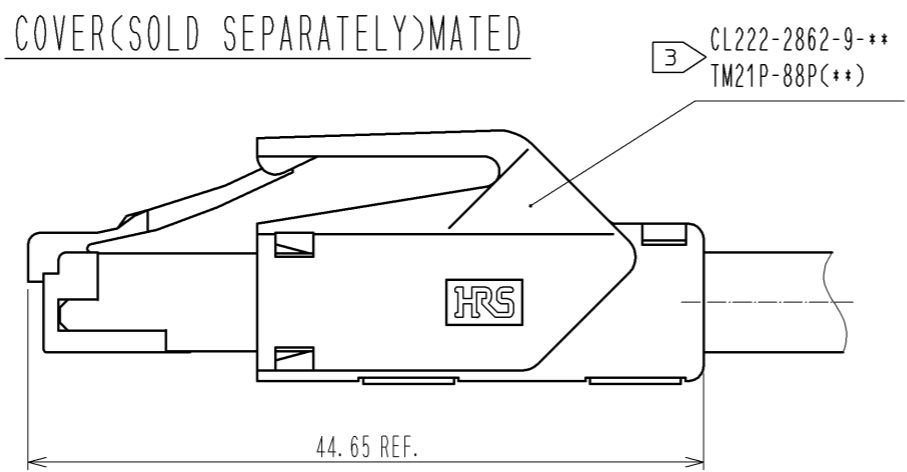
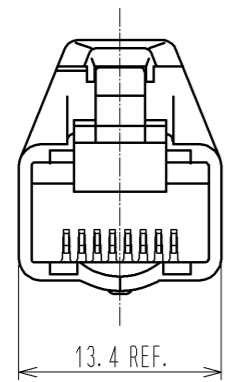
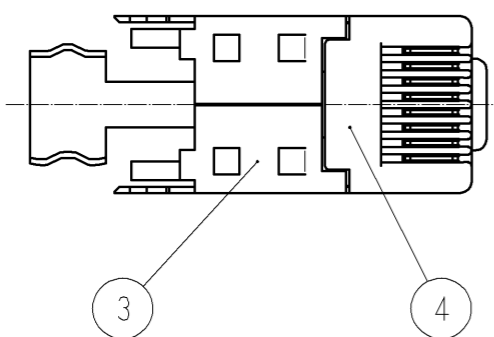
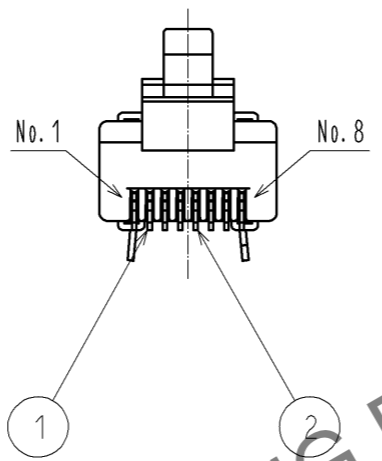
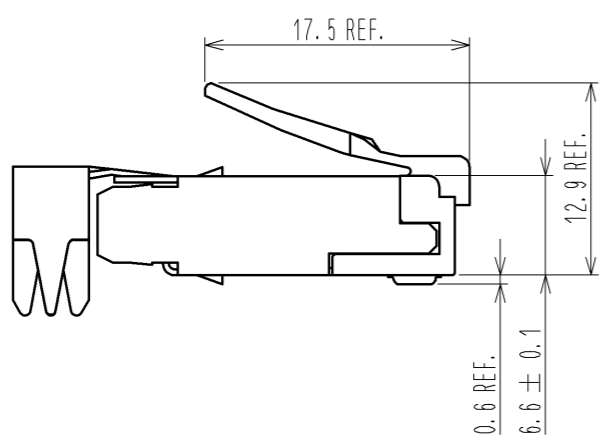
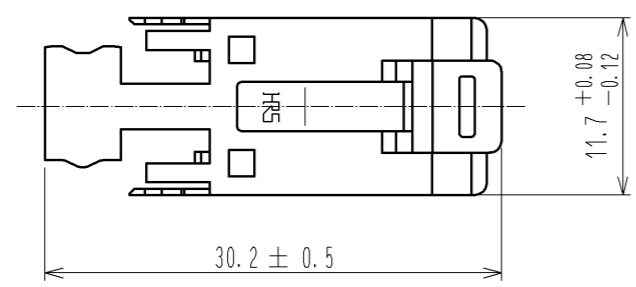


TABLE-1

APPLICABLE CABLE WIRE			
CONDUCTOR	JACKET	AWG#24 STRANDED WIRE	TO AWG#27 STRANDED WIRE
	BRAIDED SHIELD		
INSULATOR DIAMETER	LAMINATE SHIELD		
	INSULATOR	φ0.9 TO φ1.0	
JACKET DIAMETER	CONDUCTOR	φ5.8 TO φ6.0	

- NOTES
- 1 APPLICABLE CABLE IS SHOWN IN TABLE-1.
 - 2. REFER TO HRS INSTRUCTION MANUAL(ETAD-E2847) FOR CABLE ASSEMBLING THAT MEETS CAT6a PERFORMANCE.
 - 3 COLORS ARE DIFFERENT DEPENDING ON THE SPECIFICATION NUMBER.

2	PHOSPHOR BRONZE	CONTACT:GOLD PLATING 1.27μm MIN LEAD :GOLD PLATING 0.03μm MIN UNDER :NICKEL PLATING 2μm MIN	4	POLYCARBONATE	YELLOW			
1	PHOSPHOR BRONZE	CONTACT:GOLD PLATING 1.27μm MIN LEAD :GOLD PLATING 0.03μm MIN UNDER :NICKEL PLATING 2μm MIN	3	STAINLESS STEEL	OVER:NICKEL PLATING 0.5μm MIN			
NO.	MATERIAL	FINISH . REMARKS	NO.	MATERIAL	FINISH . REMARKS			
UNITS mm		SCALE 2 : 1	COUNT △	DESCRIPTION OF REVISIONS		DESIGNED	CHECKED	DATE
HRS HIROSE ELECTRIC CO., LTD.		APPROVED : NM. NISHIMATSU 14.06.26	DRAWING NO. EDC3-126868-05					
		CHECKED : NM. NISHIMATSU 14.06.26	PART NO. TM31P-TM-88P(61)					
		DESIGNED : MT. ITANO 14.06.26	CODE NO. CL222-4626-7-61					
		DRAWN : MT. ITANO 14.06.26						