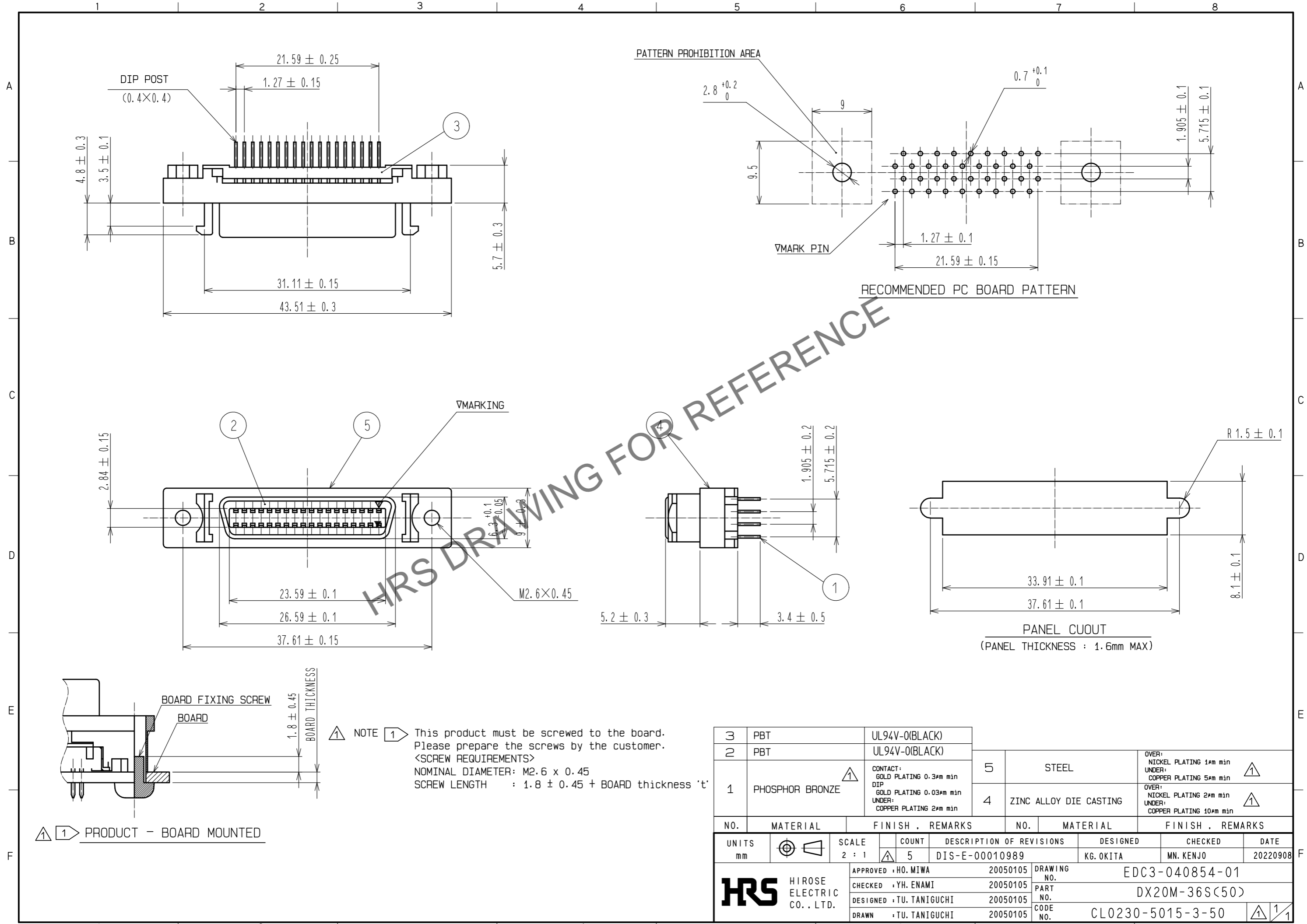
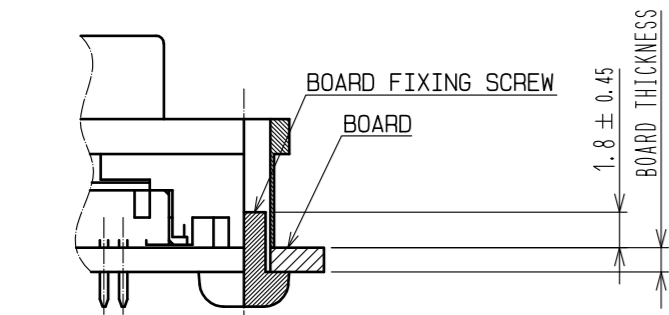


Jul.1.2024 Copyright 2024 HIROSE ELECTRIC CO., LTD. All Rights Reserved.
 In case of consideration for using Automotive equipment / device which demand high reliability, kindly contact our sales window correspondents.



HRS DRAWING FOR REFERENCE

NOTE 1 This product must be screwed to the board.
 Please prepare the screws by the customer.
 <SCREW REQUIREMENTS>
 NOMINAL DIAMETER: M2.6 x 0.45
 SCREW LENGTH : 1.8 ± 0.45 + BOARD thickness 't'



1 PRODUCT - BOARD MOUNTED

3	PBT	UL94V-0(BLACK)					
2	PBT	UL94V-0(BLACK)					
1	PHOSPHOR BRONZE	CONTACT: GOLD PLATING 0.3µm min DIP GOLD PLATING 0.03µm min UNDER: COPPER PLATING 2µm min	5	STEEL	OVER: NICKEL PLATING 1µm min UNDER: COPPER PLATING 5µm min		
			4	ZINC ALLOY DIE CASTING	OVER: NICKEL PLATING 2µm min UNDER: COPPER PLATING 10µm min		
NO.	MATERIAL	FINISH . REMARKS	NO.	MATERIAL	FINISH . REMARKS		
UNITS		SCALE	COUNT	DESCRIPTION OF REVISIONS		DESIGNED	CHECKED
mm		2 : 1	5	DIS-E-00010989		KG. OKITA	MN. KENJO
		APPROVED : HO. MIWA	20050105	DRAWING NO.		EDC3-040854-01	
HIROSE ELECTRIC CO., LTD.		CHECKED : YH. ENAMI	20050105	PART NO.		DX20M-36S(50)	
		DESIGNED : TU. TANIGUCHI	20050105	CODE NO.		CL0230-5015-3-50	
		DRAWN : TU. TANIGUCHI	20050105				