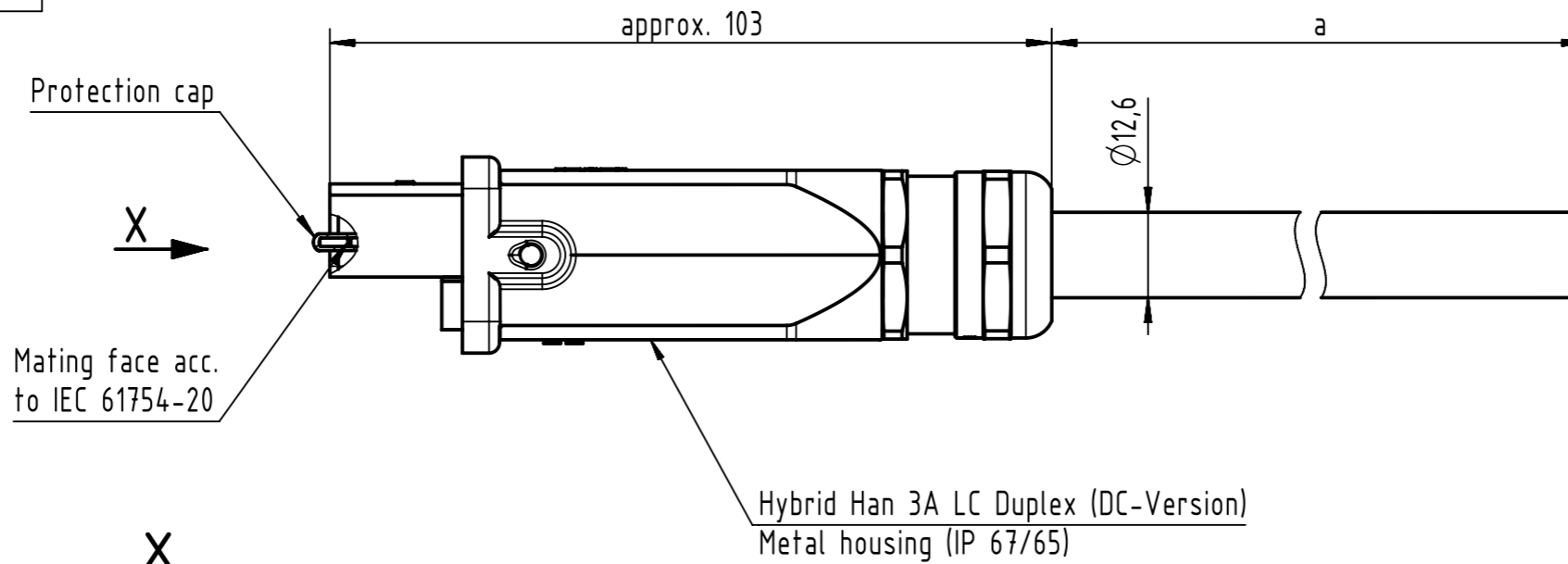
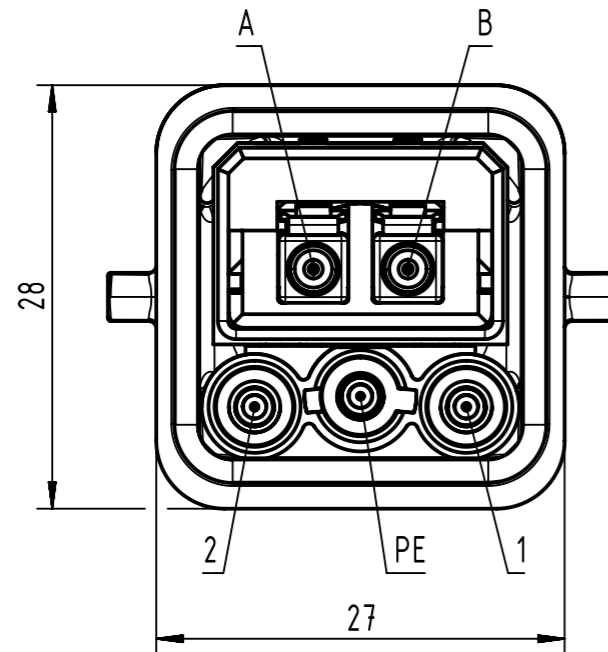


Connector Location A

Connector Location B

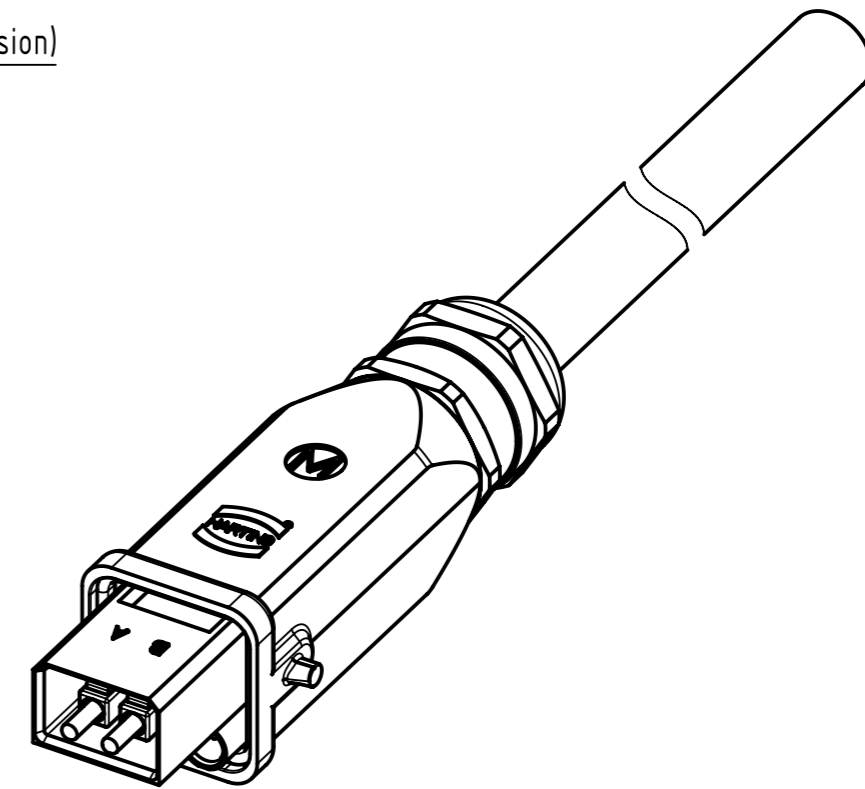


X  
male  
(without protection cap)



Loading-Plan  
(Power DC version)  
(Shield not connected)

- A — Orange
- B — Blue
- 1 — Black
- 2 — Blue
- PE — Green-Yellow



- Temperature range: -40°C ... +70°C

9	33571113005002	Hybrid cable, 2xFO MM 50/125 +3x2.5mm <sup>2</sup> , PVC, black	300
8	33571111005002		100
7	33571110605002		60
6	33571110505002		50
5	33571110405002		40
4	33571110205002		20
3	33571110105002		10
2	33571110055002		5
1	33571110015002		1
Cont no.	Part-No.	Type of cable	Dim. a[m]

	All rights reserved		Created by COSTEA		Inspected by MUNTEANV		Standardisation AVRAM		Date 2017-11-03		State Final Release	
	Department HCS - RO		Title Han 3A FO Hybrid Cable Assembly				Doc-Key / ECM-Nr. 100183341/UGD/035/C 500000127418		Rev. C		Page 1/1	
HARTING Customised Solutions D-32427 Minden			Type TB		Number 3357111XXX5002							

# Mouser Electronics

Authorized Distributor

Click to View Pricing, Inventory, Delivery & Lifecycle Information:

[HARTING:](#)

[33571110405002](#) [33571110505002](#) [33571111005002](#)