

KombiSIGN 50 / Accessories

## Contact box w. magnet. Base BK



**Part No.:** 975.840.04

### MECHANICAL DATA

Length	91 mm
Width	70 mm
Height	46 mm
Diameter	70 mm
Materials	PA-GF
Housing colour	Black
Protection category	IP54
Cable entry	Screwed cable gland
Cable entry minimum	d = 5 mm
Cable entry maximum	d = 10 mm
Weight with packaging	292 g
Product weight	292 g

### APPROVAL DATA

Conforms with CE	No
Conforms with RoHS directive	Fulfills substance restriction
WEEE	No
Conforms with ATEX-directive	No
Conforms with CCC	No
Conforms with UL	No
Conforms with FCC	No
Conforms with IC	No
EAC certificate available	No
Conforms with UKCA (Importer)	No
Conforms with AS-I	No
ICAO Certification	No
Conforms with DNV	No
Conforms with RoHS CN	No

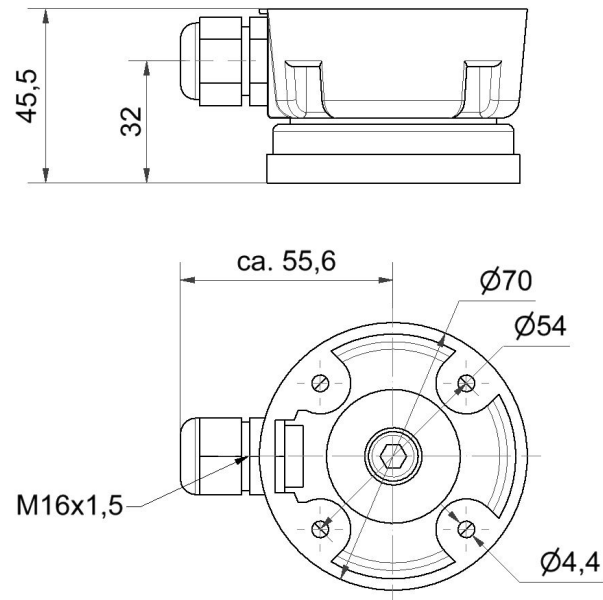


For additional installation and mounting information, refer to the appropriate user guide at [www.werma.com](http://www.werma.com). This printed copy is for information only and is subject to alteration.

KombiSIGN 50 / Accessories

## Contact box w. magnet. Base BK

### DRAWING



For additional installation and mounting information, refer to the appropriate user guide at [www.werma.com](http://www.werma.com). This printed copy is for information only and is subject to alteration.