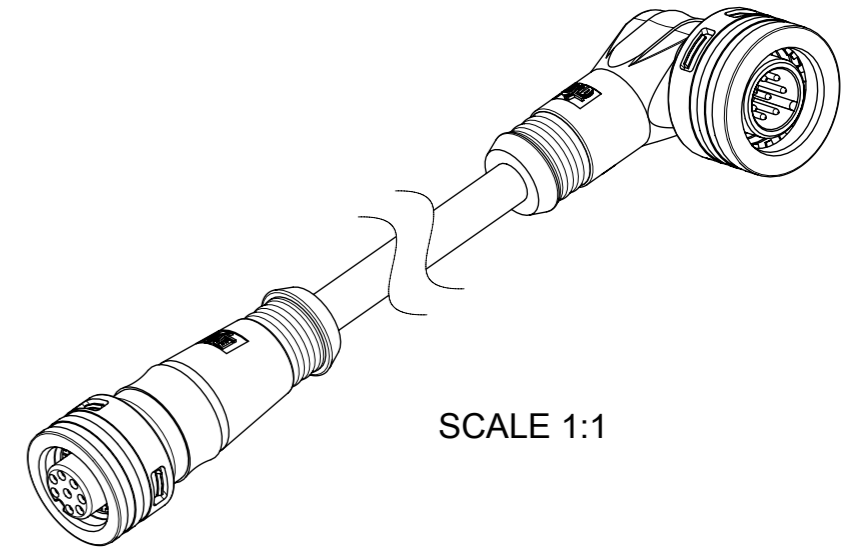
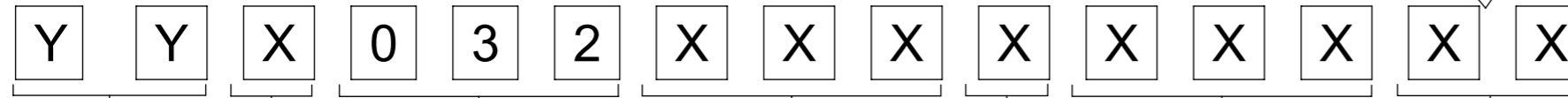


PART No MATRIX



SCALE 1:1

CABLE LIST

8P	CABLE TYPE	DESCRIPTION	MATERIAL	FINISH/COLOR	FIXED INSTALLATION *		FLEXIBLE INSTALLATION **		DRAG CHAIN	
					MIN.	MAX.	MIN.	MAX.	MIN.	MAX.
X	E02	8X0.25MM;UNSHLD;PVC;BK;OD=6.60MM	PVC	BLACK	-30°C	+80°C	-10°C	+80°C	NOT SUITABLE	
X	B41	CABLE 8X0.25 TPU BK D6.40 TPE UNSH DCS	PUR WSOR	BLACK	-40°C	+90°C	-25°C	+80°C	-5°C	+60°C
X	H08	CABLE PUR;BLK 8X0.25MM-LSOH;UL OD=6.10	PUR-LS0H	BLACK	-40°C	+80°C	-25°C	+80°C	+5°C	+60°C

* FIXED POSITION WITHOUT ACCIDENTAL CRUSHING OF VIBRATION.
 ** FREE MOTION WITHOUT PERIODIC RECURRENCE OR FORCED GUIDANCE.

PART LIST

MOLEX NO.	ENGINEERING NO.	LENGTH (mm)
1204010097	YY8032E02M010	1000
1204010098	YY8032E02M020	2000
1204010099	YY8032E02M050	5000
1204010100	YY8032E02M100	10000
1204010101	YY8032B41M010	1000
1204010102	YY8032B41M020	2000
1204010103	YY8032B41M050	5000
1204010104	YY8032B41M100	10000
1204010105	YY8032H08M010	1000
1204010106	YY8032H08M020	2000
1204010107	YY8032H08M050	5000
1204010108	YY8032H08M100	10000

CABLE LENGTH TOLERANCES	
LENGTH	TOLERANCE
0m-1m	+40 mm
>1m-5m	+60 mm
>5m-10m	+80 mm
>10m-20m	+140 mm
>20m-30m	+160 mm
>30m	+1% length

BILL OF MATERIAL

ITEM	QTY	DESCRIPTION	MATERIAL	FINISH/COLOR
1	-	CABLE	SEE CABLE LIST	SEE CABLE LIST
2	8	CONTACT 8 FE TUR AU	BRASS	GOLD OVER NICKEL PLATED
3	1	PLG U12 8P AC FE PA UNSH	-	-
4	2	OVERMOLD	TPC	SEE MATRIX
5	8	CONTACT 8 MA TUR AU	BRASS	GOLD OVER NICKEL PLATED
6	1	PLG U12 8P AC MA PA UNSH WT	-	-
7	SEE PN MATRIX *	I/D CARRIER DIA 4-7MMX30MM	PVC	TRANSPARENT

* IF IN MATRIX IS "H" - INDICATES ID-CARRIERS ON THE BOTH SIDES HARNESS

FUNCTIONAL SYMBOLS	THIS DRAWING CONTAINS INFORMATION THAT IS PROPRIETARY TO MOLEX ELECTRONIC TECHNOLOGIES, LLC AND SHOULD NOT BE USED WITHOUT WRITTEN PERMISSION	CURRENT REV DESC: NOTES AND CABLE LIST UPDATED			
	DIMENSION UNITS: mm SCALE: 2:1 GENERAL TOLERANCES (UNLESS SPECIFIED) ANGULAR TOL ± 1.0° 4 PLACES ± 3 PLACES ± 2 PLACES ± 0.05 1 PLACE ± 0.3 0 PLACES ± 0.5	EC NO: 736602 DRWN: RSCHIEBER CHK'D: RSILLER APPR: RSILLER 2023/01/27 2023/01/31 2023/01/31			
DIVISIONAL SYMBOLS	DRAFT WHERE APPLICABLE MUST REMAIN WITHIN DIMENSIONS THIRD ANGLE PROJECTION DRAWING: A3-SIZE SERIES: 120401	DOCUMENT NUMBER: 1204010097 DOC TYPE: PSD DOC PART: 000 REVISION: A1	PRODUCT CUSTOMER DRAWING CUSTOMER: GENERAL MARKET		SHEET NUMBER: 2 OF 2