



Elite CS-37

Miniature Transfer DC-18GHz

Failsafe

The CS-37 Failsafe Switch is a long-life high performance transfer switch designed for use in 50 Ohms coaxial transmission lines operating over frequencies ranging from DC to 18 GHz. The switch is designed for minimum size compatible with SMA connector spacing.

The failsafe switches on this page are provided with a spring operated actuator which is particularly desirable in applications where the switch is connected to one position (normally closed) most of the time and only periodically switched to the alternate position. In this type of application, holding power is required only when operating in the alternate position. Also, switching circuitry is simplified, since only one DC circuit is required.

For less demanding applications consider using the CCS-37 Commercial range.

Specifications

RF Contacts: Break before make

Actuator	Voltage (VDC) 20°C	12	15	28
	Current (mA)	380	300	200

Switching Time: 20 msec max

Connectors: SMA (f)

Weight: 2.50 oz. max

Temperature Range: -55°C to +85°C (Operating)

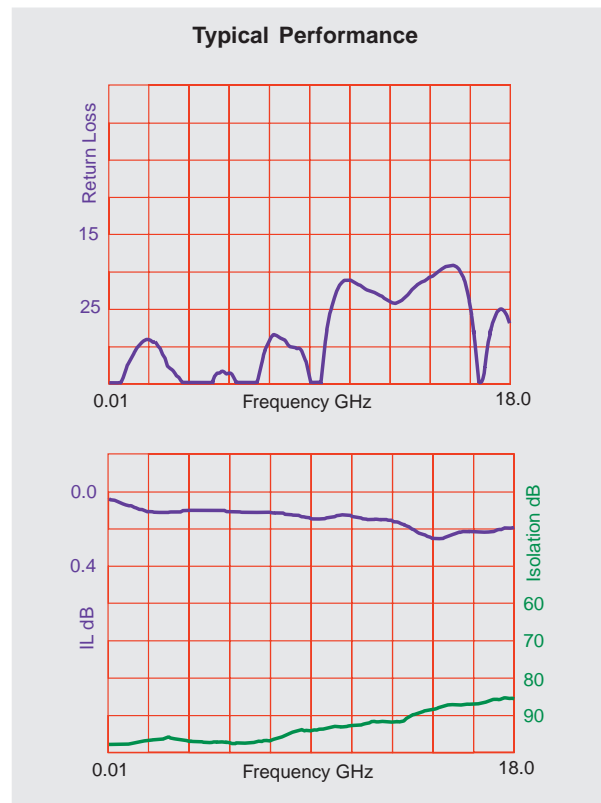
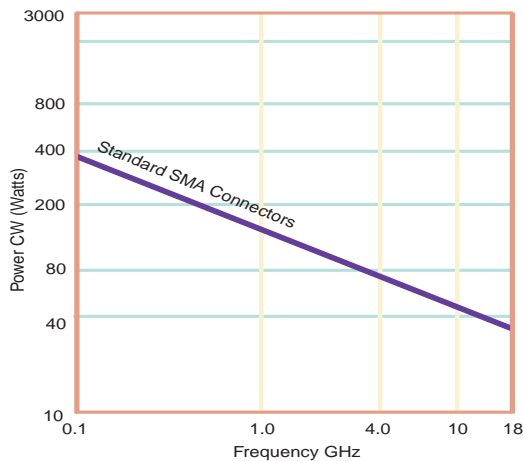
Shock: MIL-STD-202 Method 213, Condition D (500G Non Operating)

Vibration: MIL-STD-202 Method 214, Condition D (10G RMS Non Operating)

Humidity: Moisture Seal Available

Typical Contact Life: 5 Million Cycles

RF Power Handling:



Specifications

	DC-6 GHz	6-12 GHz	12-18 GHz
VSWR (max)	1.25:1	1.40:1	1.50:1
Insertion Loss (min)	0.20 dB	0.40 dB	0.50 dB
Isolation (max)	70.0 dB	60.0 dB	60.0 dB



Specifications subject to change without notice.

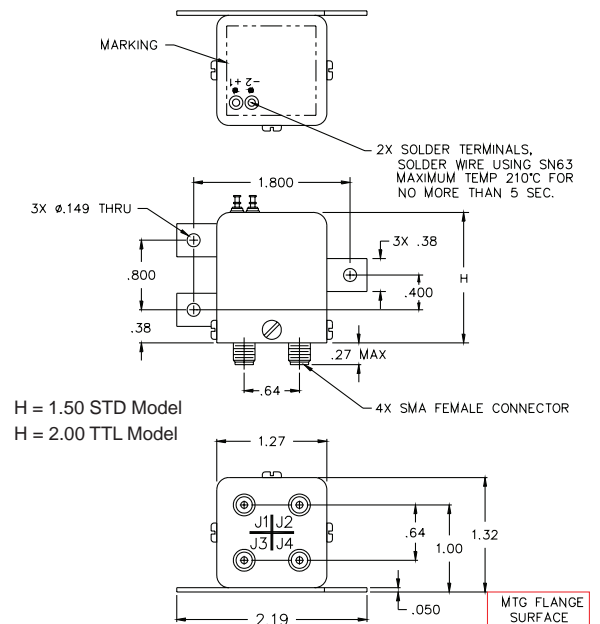
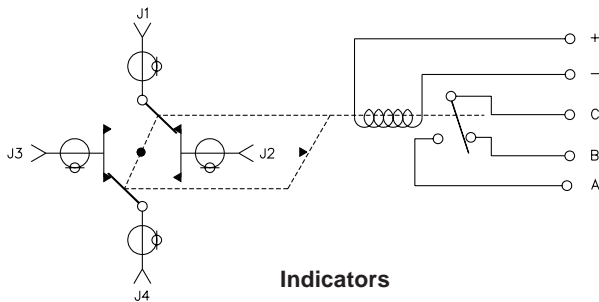
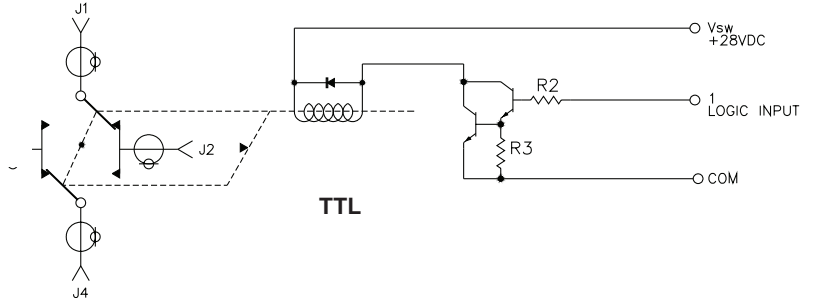
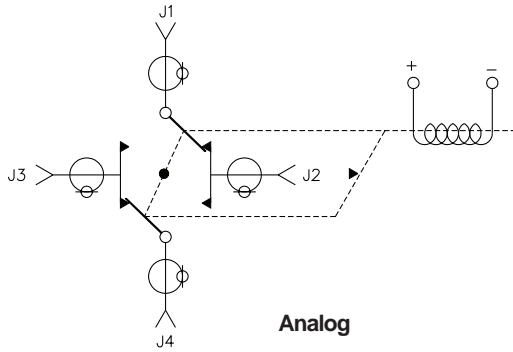
www.teledynecoax.com
email: coax@teledyne.com

Tel: (800) 351-7368
10/2007

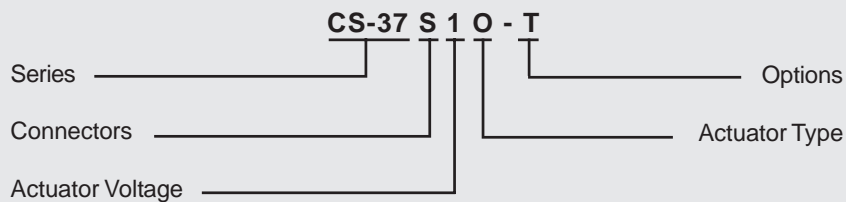
Elite CS-37

Miniature Transfer DC-18GHz

Failsafe



Part Numbering System for CS-37 (Failsafe)



Connector
S: SMA Female

Actuator Voltage
1: 28Vdc Failsafe
2: 15Vdc Failsafe
3: 12Vdc Failsafe

Actuator Type
O: No Indicator Contacts
C: Indicator Contacts

Options
T: TTL Drivers with Diodes
R: Positive + Common

For other options contact Factory



Specifications subject to change without notice.

www.teledynecoax.com
email: coax@teledyne.com

Tel: (800) 351-7368
10/2007