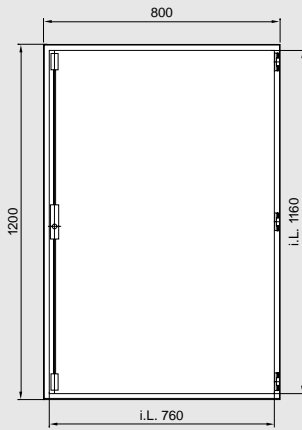
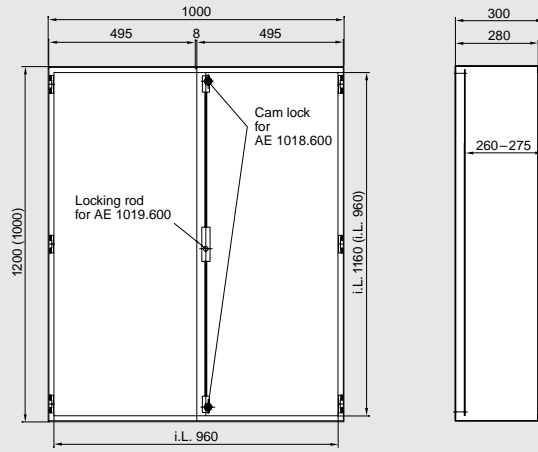


AE 1017.600



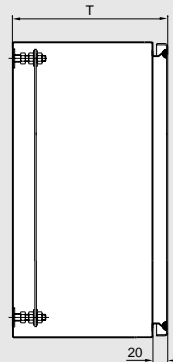
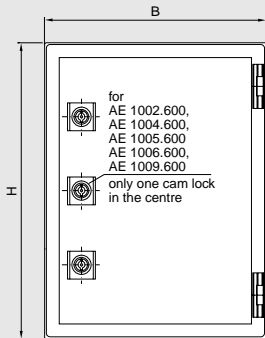
AE 1018.600 / AE 1019.600



i.L. = Clearance width

Dimensions in brackets for AE 1018.600

AE 1002.600 – AE 1016.600



Supply includes:

Enclosure, door(s) with foamed-in seal, mounting plate.

Detailed drawings

Page 282/283.

Width (B) in mm	Packs of	200	380	300	380	500	500	380	600	Page
Height (H) in mm		300	300	380	380	500	500	600	380	
Depth (T) in mm		155	155	210	210	210	300	210	210	
Model No. AE	1	1002.600	1004.600	1005.600	1006.600	1007.600	1013.600	1008.600	1009.600	
Doors		1	1	1	1	1	1	1	1	
Weight (kg)		4.5	8.8	8.7	12.0	18.4	18.9	17.0	17.0	

Accessories

Rain canopy SZ	1	2470.000	2471.000	2361.000	2472.000	2362.000	–	2472.000	2473.000	299
Perforated mounting strip SZ	20	–	–	2310.038	2310.038	2310.050	2310.050	2310.060	2310.038	950
Wall mounting bracket SZ	4	2433.000								299
Wall angle SZ	1	2583.000								299
Pole clamp SZ	1	2584.000								962
Cam lock of 1.4301 SZ	1	2304.000								299

Width (B) in mm	Packs of	600	600	760	800	800	1000	1000	
Height (H) in mm		600	760	760	1000	1200	1000	1200	
Depth (T) in mm		210	210	300	300	300	300	300	
Model No. AE	1	1010.600	1012.600	1014.600	1016.600	1017.600	1018.600	1019.600	
Doors		1	1	1	1	1	2	2	
Weight (kg)		25.0	31.7	42.5	52.9	70.0	71.0	85.0	

Accessories

Rain canopy SZ	1	2473.000	2473.000	2474.000	2475.000	2475.000	2363.000	2363.000	299
Perforated mounting strip SZ	20	2310.060	2310.076	2310.076	2310.100	2310.120	2310.100	2310.120	950
Wall mounting bracket SZ	4	2433.000							299
Wall angle SZ	1	2583.000							299
Pole clamp SZ	1	2584.000	2584.000	–	–	–	–	–	962
Cam lock of 1.4301 SZ	1	2304.000	2304.000	2304.000	2304.000	–	–	–	299

Lock systems

In enclosures fitted with a cam lock, the standard double-bit lock insert (except for AE 1018.600) may be exchanged for a 41 mm lock insert, security cylinder insert, plastic handle, T-handles, version C, see page 940 – 943.
 With AE 1018.600, may only be exchanged for 41 mm lock inserts.
 In enclosures with a locking rod, may be exchanged for 27 mm lock inserts, type A, see page 942 and Ergoform-S lock system, see page 939.



AE stainless steel compact enclosures have the following approvals:

- UL
- CSA
- TÜV
- Germanischer Lloyd
- Norske Veritas
- Russian Maritime Register of Shipping
- Lloyds Register of Shipping
- Bureau Veritas
- VDE



+ **Other accessories:**

see page 296 – 299
and page 876/877
or refer to index.

Material:

Stainless steel 1.4301
Enclosure & door: Stainless steel
Mounting plate: Sheet steel
Cam lock: Die-cast zinc, nickel-plated

Surface finish:

Enclosure and door: Brushed
Mounting plate: Zinc-plated

Protection category:

IP 66 to EN 60 529/10.91
for AE 1002.600 – AE 1017.600,
complies with NEMA 4x.
IP 55 to EN 60 529/10.91
for AE 1018.600 / AE 1019.600,
complies with NEMA 12.

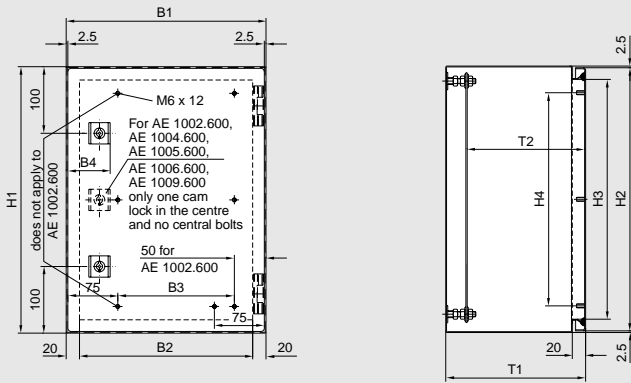


Rain canopies
For protection against direct water inflow.
Model No. see page 299.

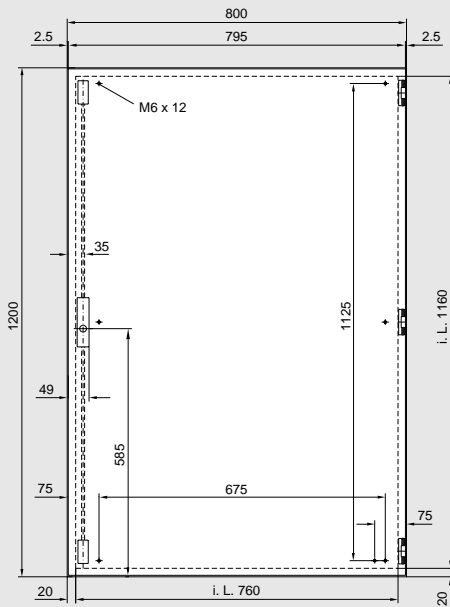


Perforated mounting strip
For fastening accessories onto the doors.
Model No. see page 950.

AE 1002.600 – AE 1016.600

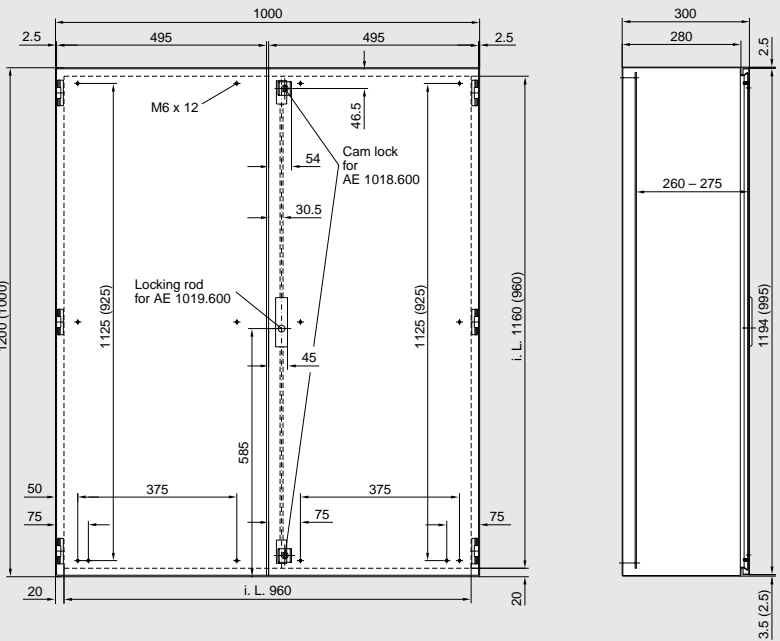


AE 1017.600



i.L. = Clearance width

AE 1018.600 / AE 1019.600



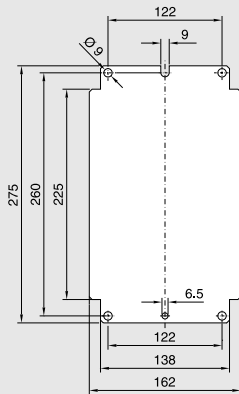
Dimensions in brackets are for AE 1018.600

AE compact enclosures, stainless steel

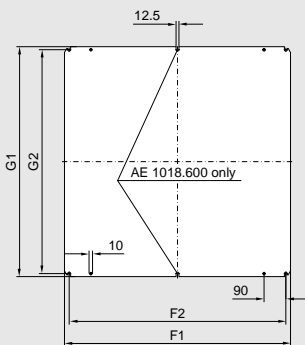
Model No. AE	Dimensions of enclosures										Dimensions of mounting plate				Material thicknesses in mm		
	B1	B2	B3	B4	H1	H2	H3	H4	T1	T2	G1	G2	F1	F2	Enclosure	Door	Mounting plate
1002.600	200	167	-	56	300	295	274	225	155	135	-	-	-	-	1.25	1.5	2.0
1004.600	380	340	250	66	300	295	260	225	155	113-129	275	250	334	295	1.38	1.5	2.0
1005.600	300	260	175	66	380	375	340	275	210	168-184	275	250	334	295	1.38	1.5	2.0
1006.600	380	340	250	66	380	375	340	275	210	168-184	355	330	334	295	1.38	1.5	2.5
1007.600	500	460	375	66	500	495	460	425	210	168-184	470	445	449	410	1.38	1.5	2.5
1008.600	380	340	250	66	600	595	560	525	210	168-184	570	545	334	295	1.38	1.5	2.5
1009.600	600	560	475	66	380	375	340	275	210	168-184	355	330	549	510	1.38	1.5	2.5
1010.600	600	560	475	66	600	595	560	525	210	168-184	570	545	549	510	1.38	2.0	2.5
1012.600	600	560	475	66	760	755	720	675	210	168-184	730	705	549	510	1.38	2.0	3.0
1014.600	760	720	625	66	760	755	720	675	300	258-274	730	705	704	665	1.50	2.0	3.0
1016.600	800	760	675	66	1000	955	960	925	300	258-274	955	930	739	700	1.50	2.0	3.0
1017.600	800	-	-	-	1200	-	-	-	300	-	-	-	-	-	1.50	2.0	3.0
1018.600	1000	-	-	-	1000	-	-	-	300	-	955	930	939	900	1.50	2.0	3.0
1019.600	1000	-	-	-	1200	-	-	-	300	-	-	-	-	-	1.50	2.0	3.0

Mounting plates

AE 1002.600

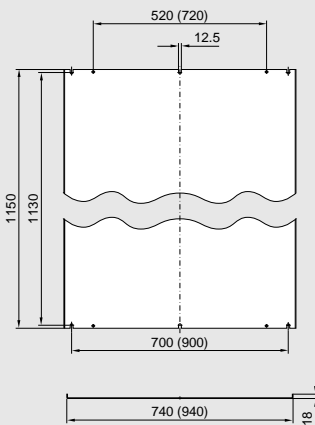


AE 1004.600 – AE 1016.600 / AE 1018.600



Installation position of the mounting plate is rotated through 90° for AE 1005.600 / AE 1009.600.

AE 1017.600 / AE 1019.600



Dimensions in brackets are for AE 1019.600

