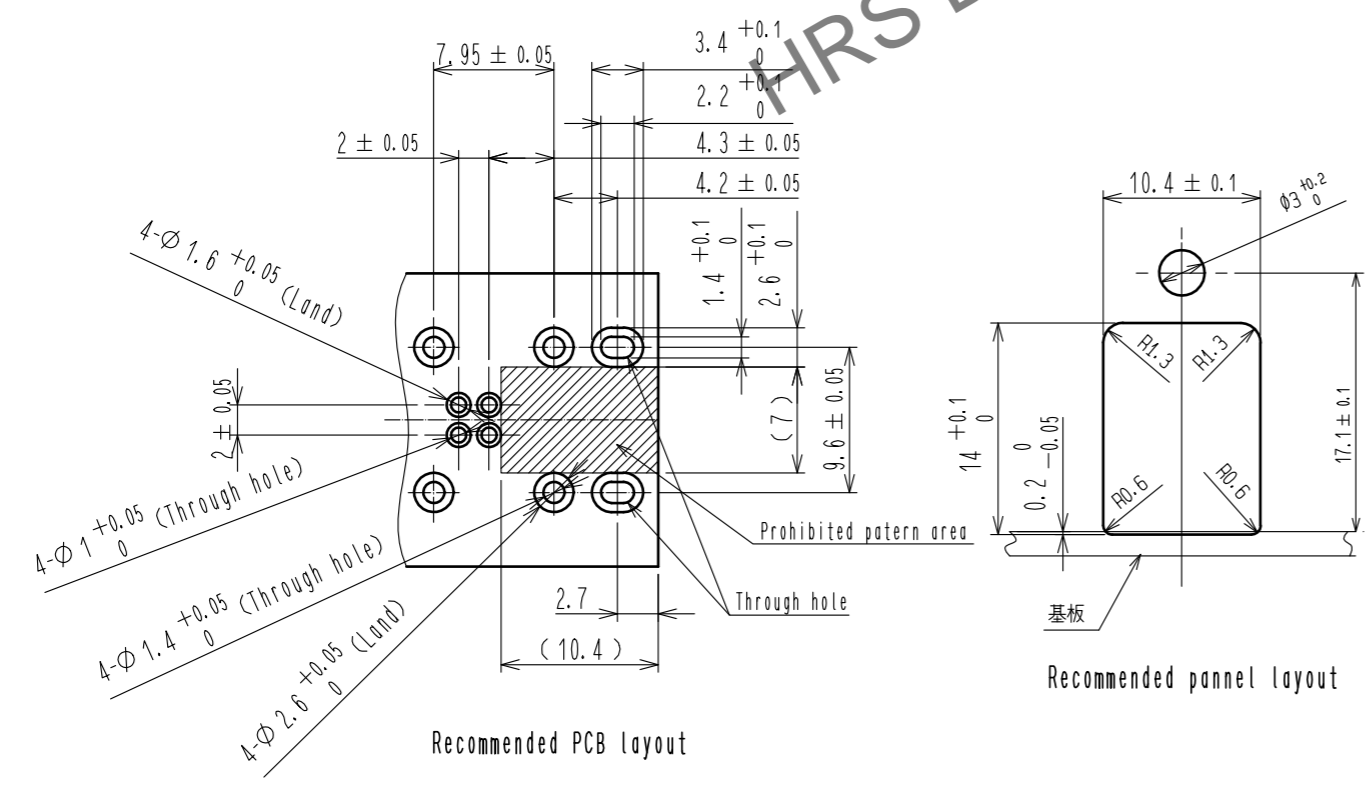
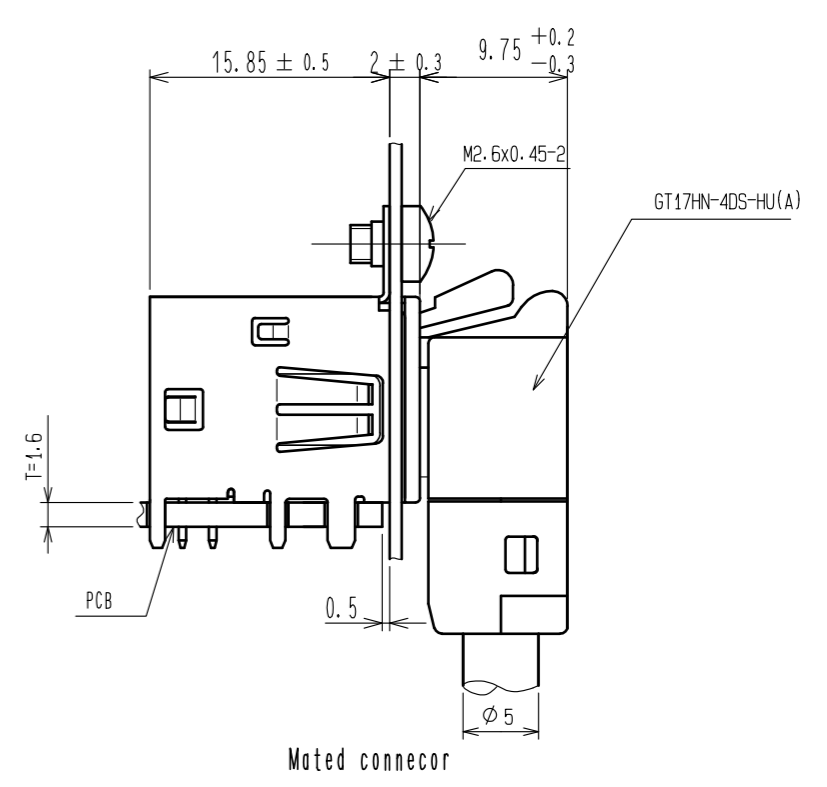
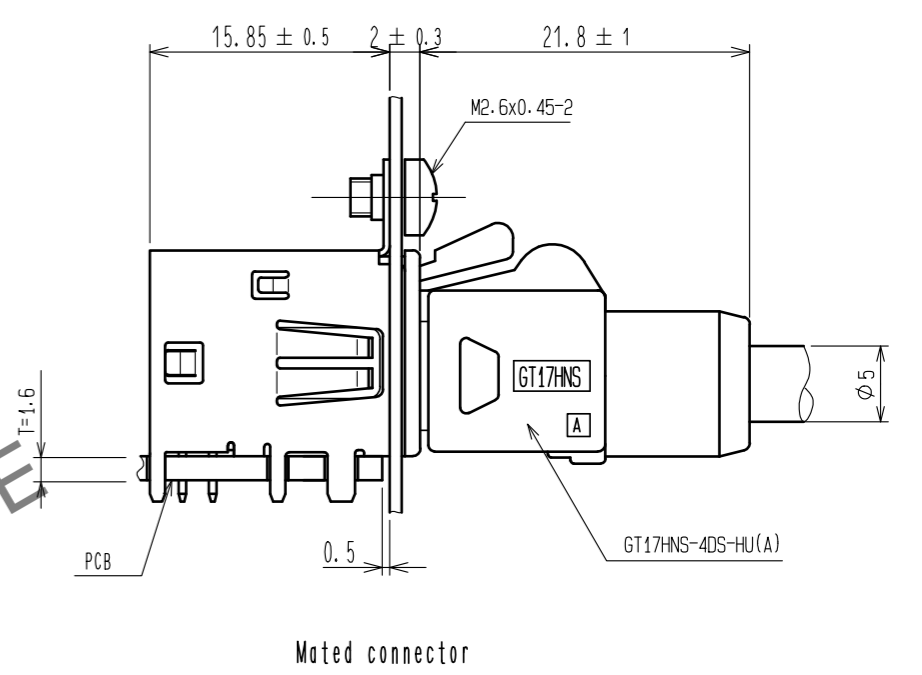
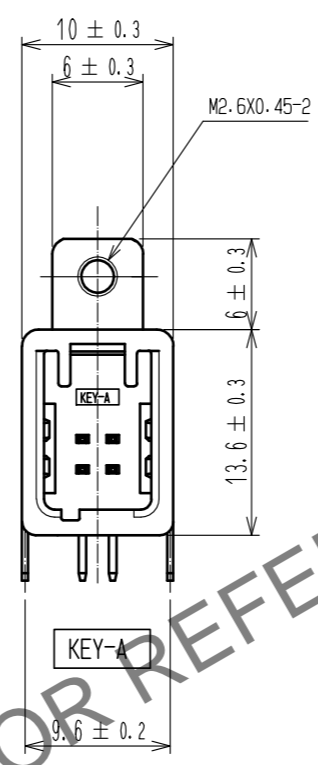
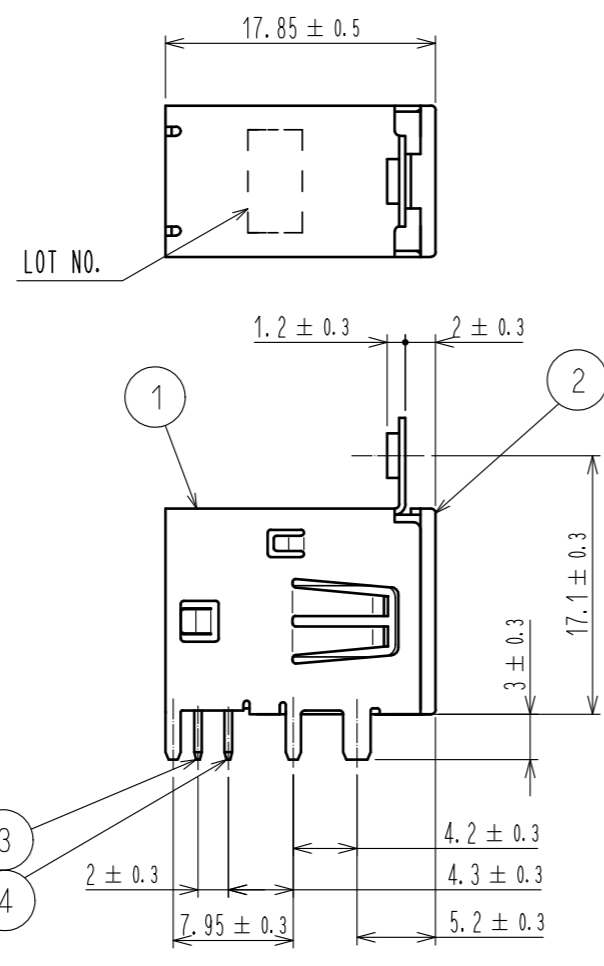


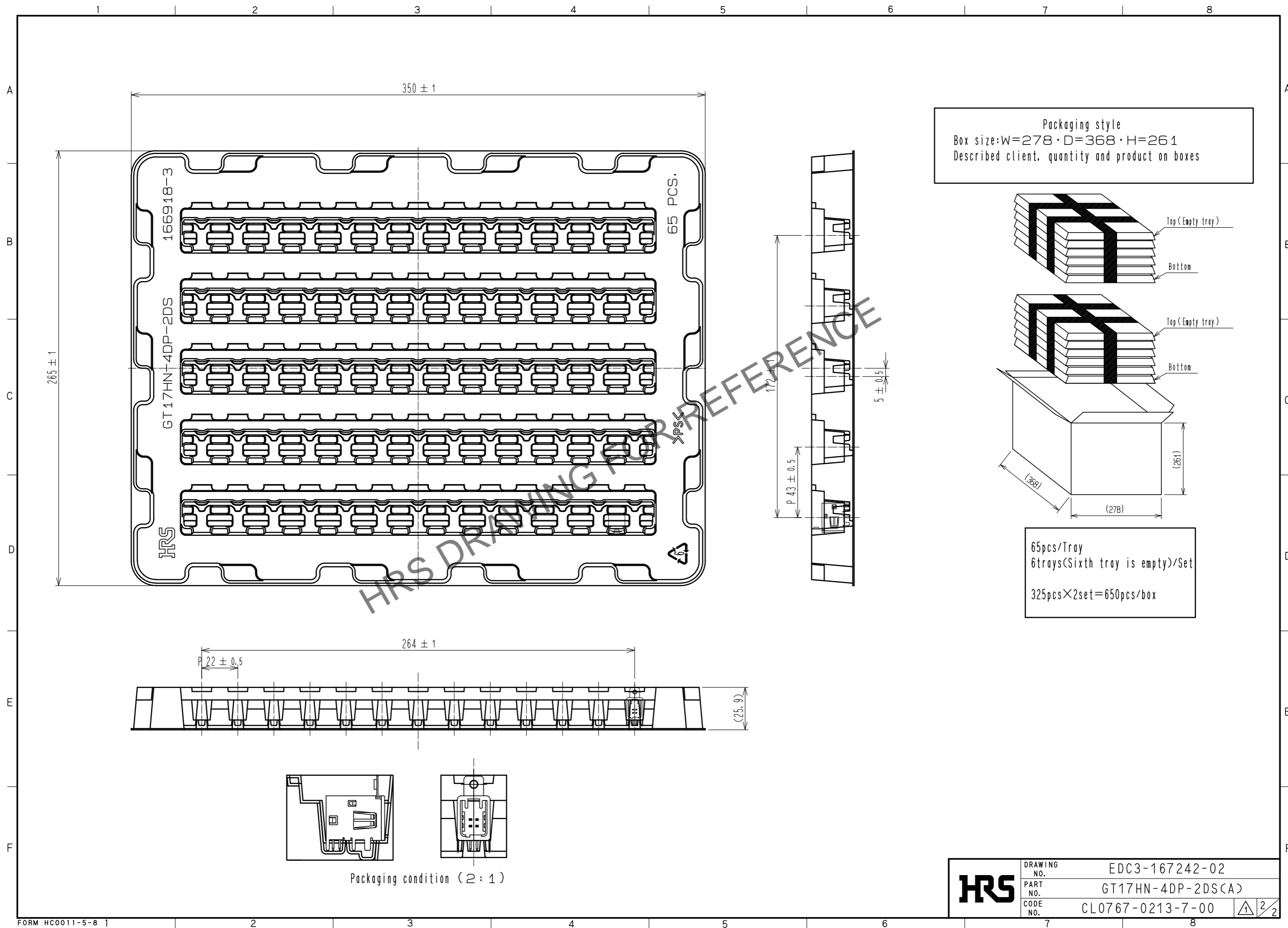
Jul.1.2024 Copyright 2024 HIROSE ELECTRIC CO., LTD. All Rights Reserved.
 In case of consideration for using Automotive equipment / device which demand high reliability, kindly contact our sales window correspondents.

ELV, RoHS Compliant

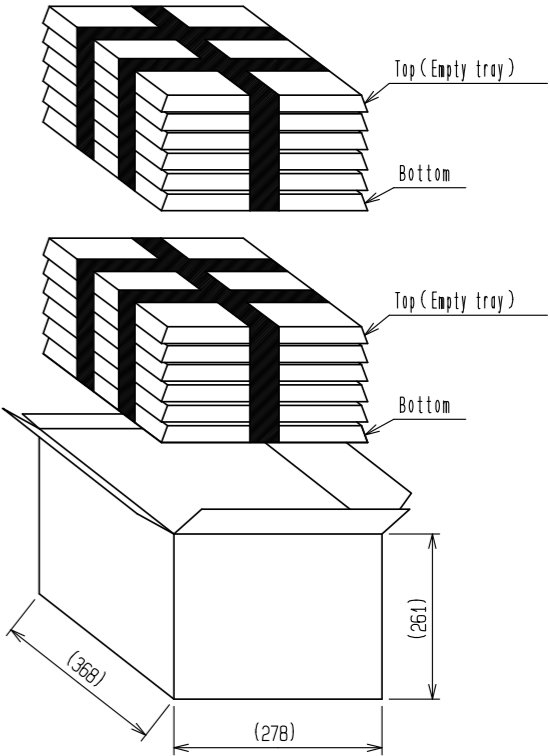


2	PBT	Brown	4	Brass	△	Tin plating(Pre-plated material)	
1	Copper alloy	△	Tin plating(Pre-plated material)	3	Brass	△	Tin plating(Pre-plated material)
NO.	MATERIAL	FINISH .	REMARKS	NO.	MATERIAL	FINISH .	REMARKS
UNITS	mm	SCALE	2 : 1	COUNT	3	DESCRIPTION OF REVISIONS	DIS-T-00011522
DESIGNED		YK. KANNO		CHECKED		EJ. WAKATSUKI	
DATE		20211008		DRAWING NO.		EDC3-167242-02	
APPROVED		AR. SHIRAI		PART NO.		GT17HN-4DP-2DS(A)	
CHECKED		AR. SHIRAI		CODE NO.		CL0767-0213-7-00	
DESIGNED		NA. HARUBAYASHI		1		2	
DRAWN		HA. SHIMIZU					

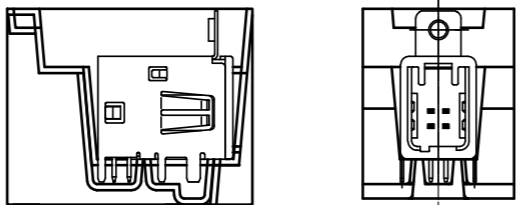
Jul.1.2024 Copyright 2024 HIROSE ELECTRIC CO., LTD. All Rights Reserved.
 In case of consideration for using Automotive equipment / device which demand high reliability, kindly contact our sales window correspondents.



Packaging style
 Box size:W=278 · D=368 · H=261
 Described client, quantity and product on boxes



65pcs/Tray
 6trays(Sixth tray is empty)/Set
 325pcs×2set=650pcs/box



Packaging condition (2:1)

HRS	DRAWING NO.	EDC3-167242-02
	PART NO.	GT17HN-4DP-2DS(A)
	CODE NO.	CL0767-0213-7-00
		△ 2/2