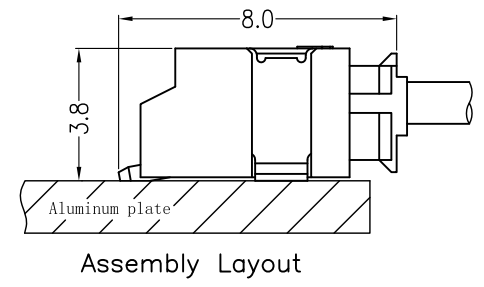
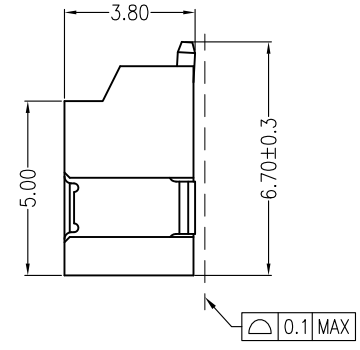
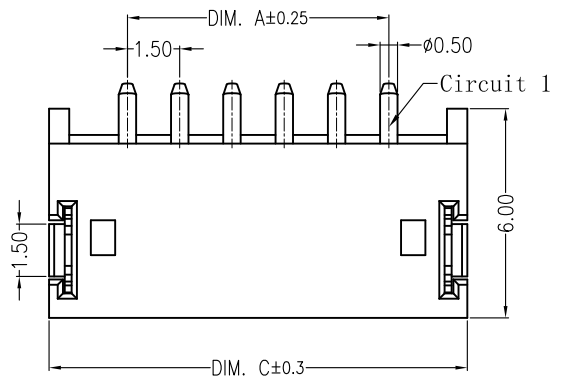
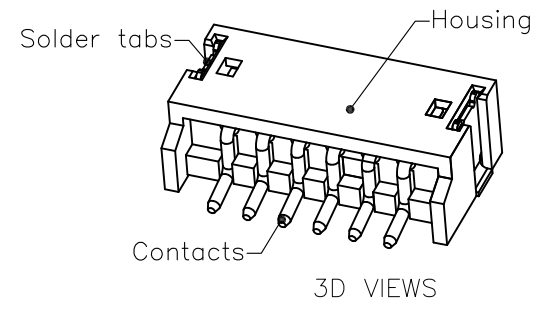
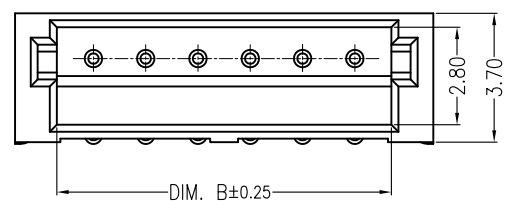


修订 REV	标记 MARK	修改摘要 REVISION DESCRIPTION	签名 SIGNATURE	日期 DATE
A0		NEW DWG		2016-05-05

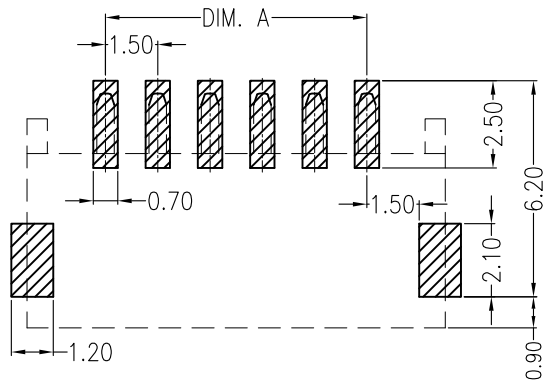


Assembly Layout



3D VIEWS

Circuits	Dimensions (mm)		
	DIM. A	DIM. B	DIM. C
02	1.50	3.60	6.00
03	3.00	5.10	7.50
04	4.50	6.60	9.00
05	6.00	8.10	10.50
06	7.50	9.60	12.00
07	9.00	11.10	13.50
08	10.50	12.60	15.00
09	12.00	14.10	16.50
10	13.50	15.60	18.00
11	15.00	17.10	19.50
12	16.50	18.60	21.00
13	18.00	20.10	22.50
14	19.50	21.60	24.00
15	21.00	23.10	25.50
16	22.50	24.60	27.00



SUGGESTED PCB LAYOUT

Specifications:
 Contact resistance: $\leq 20m\Omega$
 Insulation resistance: $\geq 500M\Omega$
 Rated voltage: 125V AC DC
 Rated current: 1.0A AC DC
 Withstand voltage: 500V AC/minute
 Temperature range: $-25^{\circ}C \sim +105^{\circ}C$
 Housing: LCP UL94V-0, Natural
 Contacts: Brass/Sn
 Solder tabs: Phosphor bronze/Sn

深圳市华德共创科技有限公司
 Shenzhen Huade co-create Technology Co., LTD
 电话: 0755-27129737 传真: 0755-29940187

-TOLERANCES- UNLESS OTHERWISE SPECIFIED 公差参数表		 	TITLE: 产品名称: ZH1.5 针座				
X.X	± 0.30	X.X°	$\pm 3^{\circ}$	APPD: 核准: 谢亮		PART NO: 产品编号: HDGC1501WR-S-XP	
X.XX	± 0.30	X.XX°	$\pm 2^{\circ}$	CHECK: 校对: 王建业	DATE	SCALE	UNIT
X.XXX	± 0.10	X.XXX°	$\pm 1^{\circ}$	DRAW: 绘图: 黄艳兰	2016-05-05	1:1	mm
							CODE NUMBER A018