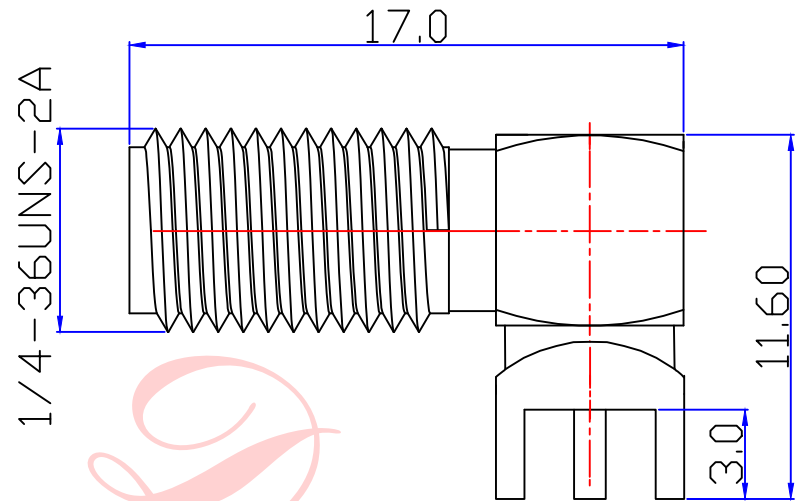


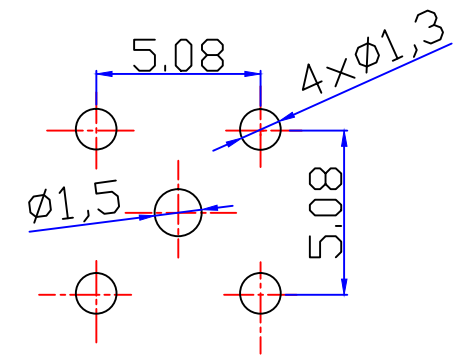
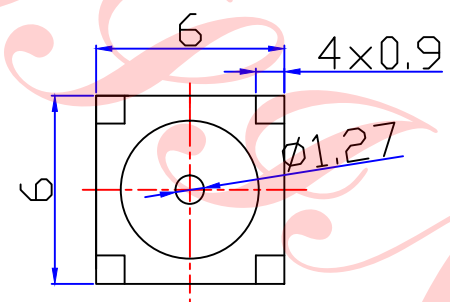


Product NO.		DOSIN-806-0261		
REV	DESCRIPTION	DWN	DATE	APPROVEN
A	First issue	Mr. CHEN	2017/05/16	John kine



Specifications:

IMPEDANCE: 50 Ohms
 Frequency range: 0~6GHZ
 VSWR: 1.5MAX
 Working voltage: 500V rms @ sea level
 Insulation resistance: 5000 Ohms min
 Temperature range: -65°C TO +165°C
 Relative temperature: ≤95% (40° C ± 2° C)



1	Body	Brass	GOLD
2	Insulator	TEFLON	White
3	Center contact	Brass	GOLD
4			
5			
6			
7			
8			
9			
10			
NO	Component Number	Material	Finish

NOTE:	
DRAWN	Zelin. CHEN
CHECKED	
APPROVALS	John

Tolerance	X.	±0.15
	X.X	±0.10
View	X.XX	±0.05
	Angular	±5°
UNIT	MM	
SCALE	1:1	
SIZE	A	
Product NO.	DOSIN-806-0261	
REV	A	
Date	Time	
2017/05/16		
CAD FILE	H/company drawings/BD	
SHEET:	1 OF 1	

DOSIN Dosin Industrial (H.K) Co. Ltd
 东莞市德索五金电子制品有限公司
 Dosin Hardware Electronics Co., Ltd
 E-mail: dosin2005@163.com
 dosin2005@dosin-china.com
 Web: http://www.dosinconn.com
 TEL: (0086) 769-81153906
 FAX: (0086) 769-81875836

Name: SMA R/A JACK FOR PCB