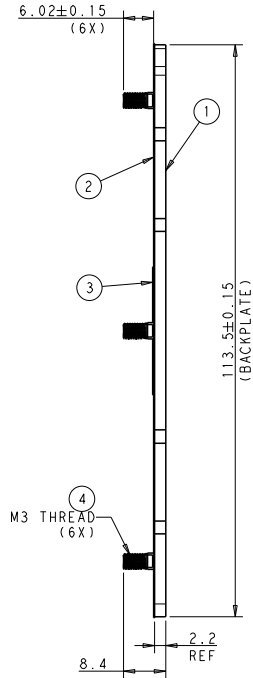
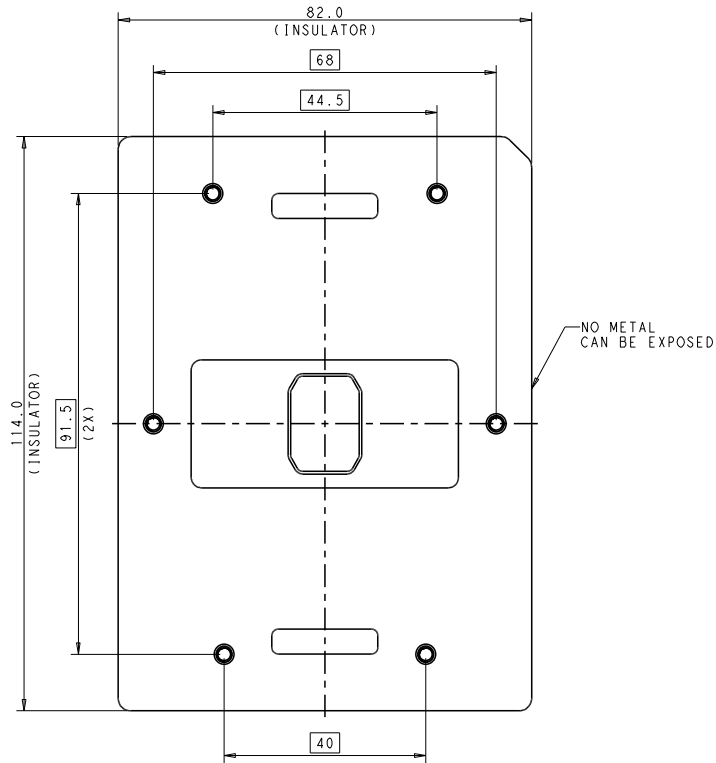
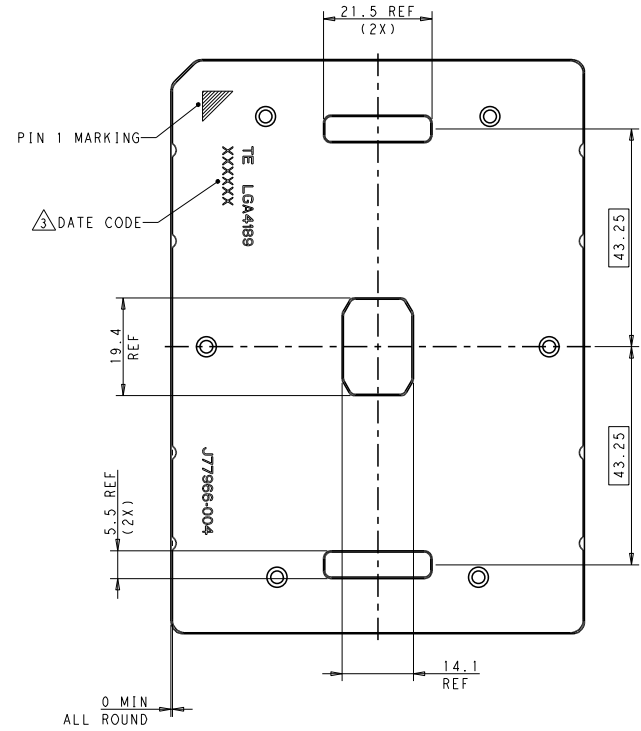


REVISIONS				
REV	DATE	DESCRIPTION	BY	APP
B		REVISED	J.W.S.L	

TOP VIEW (INSULATOR SIDE)



BOTTOM VIEW



PN 2-2330551-1 AS SHOW

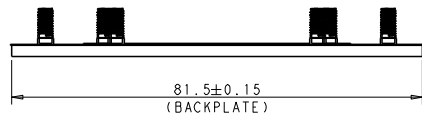
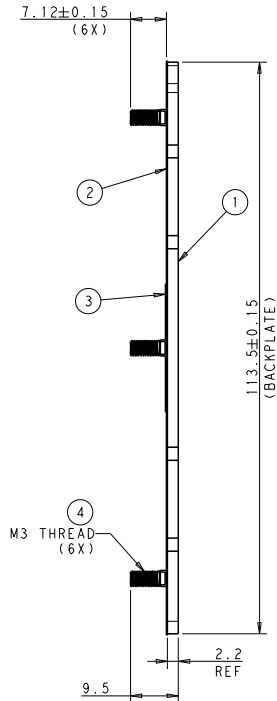
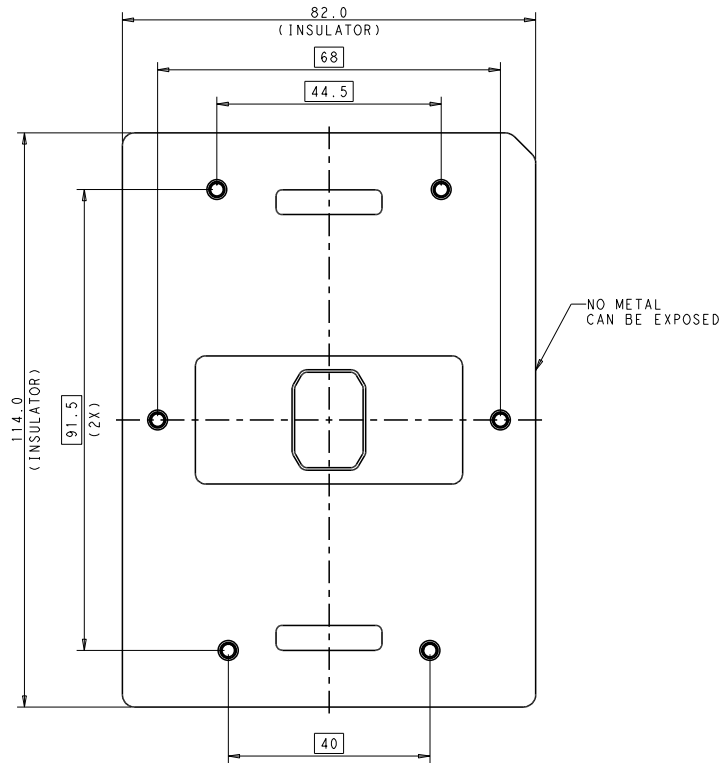
NOTE: (APPLIED TO ALL SHEET)

1. MATERIAL:
- ① BACK PLATE: CARBON STEEL, NI PLATING.
 - ② BACK PLATE INSULATOR: POLYCARBONATE FILM PLUS ACRYLIC ADHESIVE LAYER.
 - ③ EXTRA INSULATOR: POLYCARBONATE FILM PLUS ACRYLIC ADHESIVE LAYER.
 - ④ STUD: STEEL.
2. ASSEMBLED WITH BOLSTER ASSEMBLY P/N: 2330550 SERIES.
 STUD/NUT MUST BE ABLE TO ENGAGE WITH MOTHERBOARD THICKNESS:
 -FOR PN 2-2330551-1, IN THE RANGE OF 1.42MM-2.79MM
 -FOR PN 2-2330551-2, IN THE RANGE OF 2.79MM-3.94MM
- △ INDICATED DATE CODE ON THE BACK PLATE

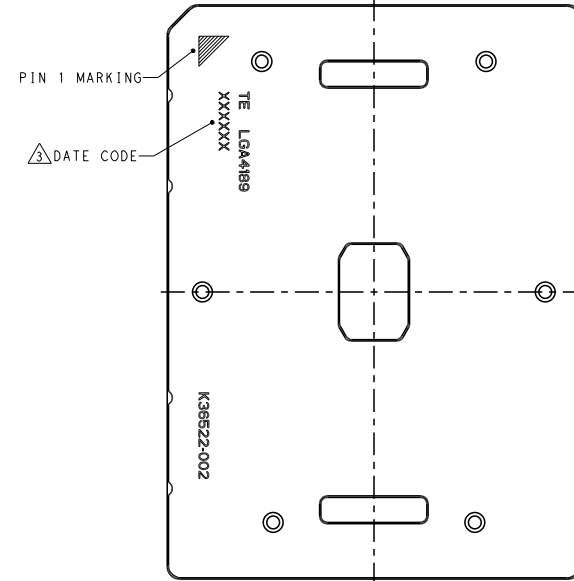
THIS DRAWING IS A CONTROLLED DOCUMENT.		REV. MANG. 08FEB2018	STE TE Connectivity	
DIMENSIONS: (UNLESS OTHERWISE SPECIFIED) INCH		CHK. BILL LV. 08FEB2018	NAME: ICX BACKPLATE ASSY	
MATERIAL: 0 P/C #0.3, 1 P/C #0.3, 2 P/C #0.3, 4 P/C #0.3		APP. SIMON L.L	SIZE: A1	
FINISH: 3.2		APPLICATION SPEC	SCALE: 2:1	
CAGE CODE: 00779		DRAWING NO: 2330551	SHEET 1 OF 3	
CUSTOMER DRAWING		REV. 1		

REVISIONS				
REV	DATE	DESCRIPTION	BY	APP

TOP VIEW (INSULATOR SIDE)

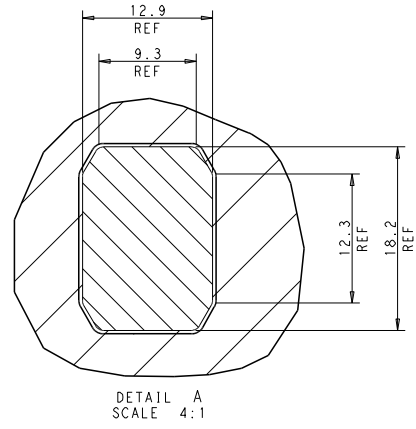
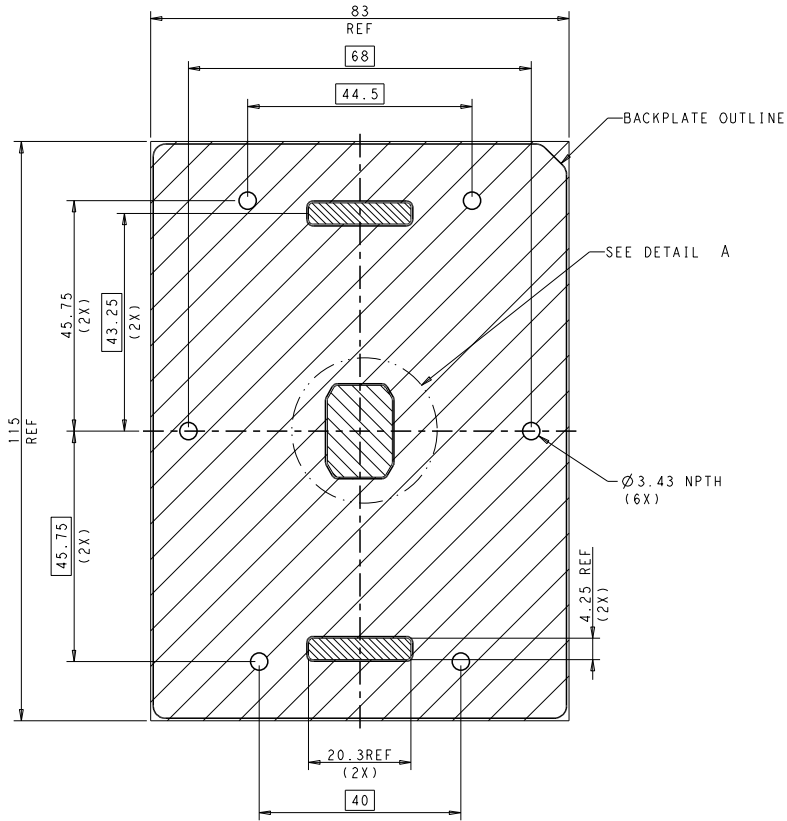


BOTTOM VIEW



PN 2-2330551-2 AS SHOW
UNLESS SPECIFIED DIMENSION
ARE SAME WITH 2-2330551-1

THIS DRAWING IS A CONTROLLED DOCUMENT.		REV: 08FEB2018	STE TE Connectivity	
DIMENSIONS: 0 PLG 40.3, 1 PLG 40.3, 2 PLG 40.3, 3 PLG 40.3, 4 PLG 40.3		REF. MFG: 08FEB2018	NAME: ICX BACKPLATE ASSY	
MATERIAL: FINISH: 3.1		DATE: 08FEB2018	SIZE: A	RESTRICTED TO: 00779
CUSTOMER DRAWING		SCALE: 2:1	SHEET: 2 OF 3	REV: 1



KOZ LEGEND	
	BACKPLATE ZONE. NO OTHER COMPONENT PLACEMENT ALLOWED. 0.0MM HEIGHT RESTRICTION
	SECONDARY SIDE SOCKET CAVITY ZONE. 1.0MM MAX COMPONENT HEIGHT.
	SECONDARY SIDE COMPONENT PLACEMENT ZONE. 1.0MM MAX COMPONENT HEIGHT.

REFERENCE BACKPLATE KEEPOUT ZONE
FOR GENERAL BOARD DESIGN, PLEASE REFER TO THE THERMAL AND MECHANICAL DESIGN GUIDELINES PROVIDED BY INTEL

THIS DRAWING IS A CONTROLLED DOCUMENT.		REV. WANG 08FEB2018	 TE Connectivity
DIMENSIONS: MILL		CHK. BILL J.V. 08FEB2018	
UNLESS OTHERWISE SPECIFIED:		APP. SIMON J.L. 08FEB2018	NAME: ICX BACKPLATE ASSY PRODUCT SPEC: - APPLICATION SPEC: - SIZE: A EAGE CODE: 00779 DRAWING NO: 2330551 RESTRICTED TO: - MATERIAL: - FINISH: - CUSTOMER DRAWING
0 P/LC 40.3 1 P/LC 40.3 2 P/LC 40.3 3 P/LC 40.3 4 P/LC 40.3 5 P/LC 40.3 6 P/LC 40.3 7 P/LC 40.3 8 P/LC 40.3 9 P/LC 40.3 10 P/LC 40.3 11 P/LC 40.3 12 P/LC 40.3 13 P/LC 40.3 14 P/LC 40.3 15 P/LC 40.3 16 P/LC 40.3 17 P/LC 40.3 18 P/LC 40.3 19 P/LC 40.3 20 P/LC 40.3 21 P/LC 40.3 22 P/LC 40.3 23 P/LC 40.3 24 P/LC 40.3 25 P/LC 40.3 26 P/LC 40.3 27 P/LC 40.3 28 P/LC 40.3 29 P/LC 40.3 30 P/LC 40.3 31 P/LC 40.3 32 P/LC 40.3 33 P/LC 40.3 34 P/LC 40.3 35 P/LC 40.3 36 P/LC 40.3 37 P/LC 40.3 38 P/LC 40.3 39 P/LC 40.3 40 P/LC 40.3 41 P/LC 40.3 42 P/LC 40.3 43 P/LC 40.3 44 P/LC 40.3 45 P/LC 40.3 46 P/LC 40.3 47 P/LC 40.3 48 P/LC 40.3 49 P/LC 40.3 50 P/LC 40.3 51 P/LC 40.3 52 P/LC 40.3 53 P/LC 40.3 54 P/LC 40.3 55 P/LC 40.3 56 P/LC 40.3 57 P/LC 40.3 58 P/LC 40.3 59 P/LC 40.3 60 P/LC 40.3 61 P/LC 40.3 62 P/LC 40.3 63 P/LC 40.3 64 P/LC 40.3 65 P/LC 40.3 66 P/LC 40.3 67 P/LC 40.3 68 P/LC 40.3 69 P/LC 40.3 70 P/LC 40.3 71 P/LC 40.3 72 P/LC 40.3 73 P/LC 40.3 74 P/LC 40.3 75 P/LC 40.3 76 P/LC 40.3 77 P/LC 40.3 78 P/LC 40.3 79 P/LC 40.3 80 P/LC 40.3 81 P/LC 40.3 82 P/LC 40.3 83 P/LC 40.3 84 P/LC 40.3 85 P/LC 40.3 86 P/LC 40.3 87 P/LC 40.3 88 P/LC 40.3 89 P/LC 40.3 90 P/LC 40.3 91 P/LC 40.3 92 P/LC 40.3 93 P/LC 40.3 94 P/LC 40.3 95 P/LC 40.3 96 P/LC 40.3 97 P/LC 40.3 98 P/LC 40.3 99 P/LC 40.3 100 P/LC 40.3		SCALE: 2:1	