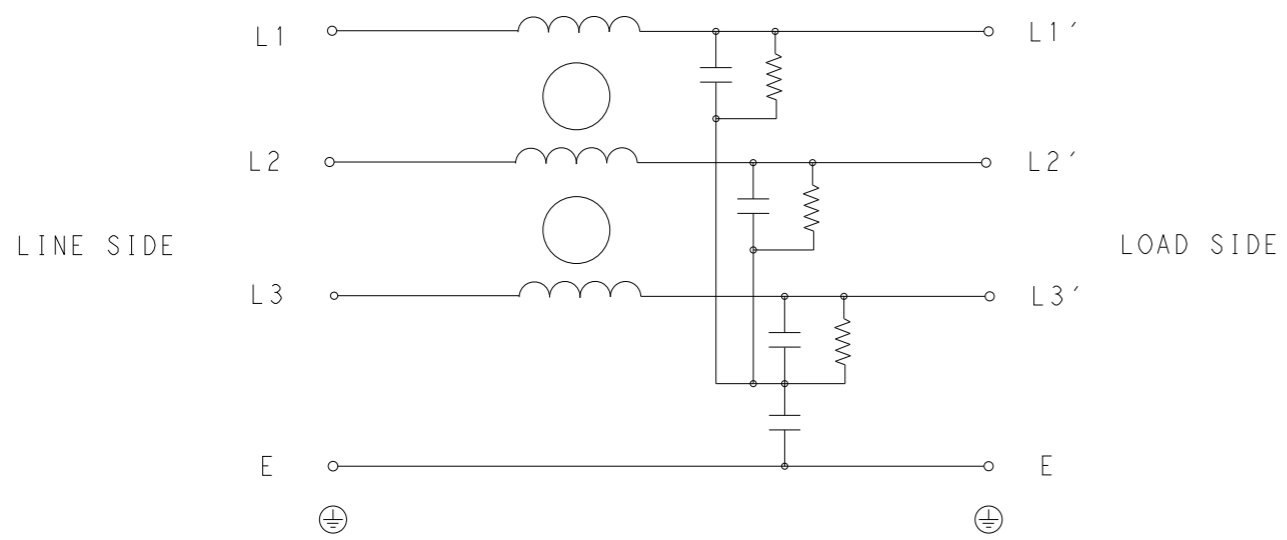


REVISIONS

P	LTR	DESCRIPTION	DATE	DWN	APVD
	A	INITIAL RELEASE	05APR2021	SR	CB



SCHEMATIC

SAFETY ORGANIZATIONS
 THIS FILTER WILL BE FORMALLY RECOGNIZED, CERTIFIED OR APPROVED BY THE LISTED AGENCY. THEREFORE, ALL TEST/REQUIREMENTS SPECIFIED IN THE LATEST REVISION OF THE FOLLOWING AGENCY STANDARDS WILL BE MET:

UL APPROVED 50A 520V 50Hz/60Hz 40°C
 CSA PENDING 50A 520V 50Hz/60Hz 40°C

OPERATING SPECIFICATION
 LINE CURRENT/VOLTAGE: 50A, 520VAC
 LINE FREQUENCY: 50/60Hz

MAXIMUM LEAKAGE CURRENT: 5mA @ 230VAC, 50Hz
 OPERATING AMBIENT TEMPERATURE RANGE @ RATED CURRENT: -25°C TO +40°C

IN AN AMBIENT, T_a, HIGHER THAN 40°C, THE MAXIMUM OPERATING CURRENT, I_o, IS AS FOLLOWS:

$$I_o = I_r \sqrt{\frac{85 - T_a}{45}}$$

RELIABILITY SPECIFICATIONS
 STORAGE TEMPERATURE: -40°C TO +85°C
 HUMIDITY: 21 DAYS @ 40°C AND 95% RH

TEST SPECIFICATIONS
 INDUCTANCE, NOMINAL: 0.25mH

CAPACITANCE @ 1kHz
 LINE TO GROUND, NOMINAL: 21nF
 LINE TO LINE, NOMINAL: 235nF

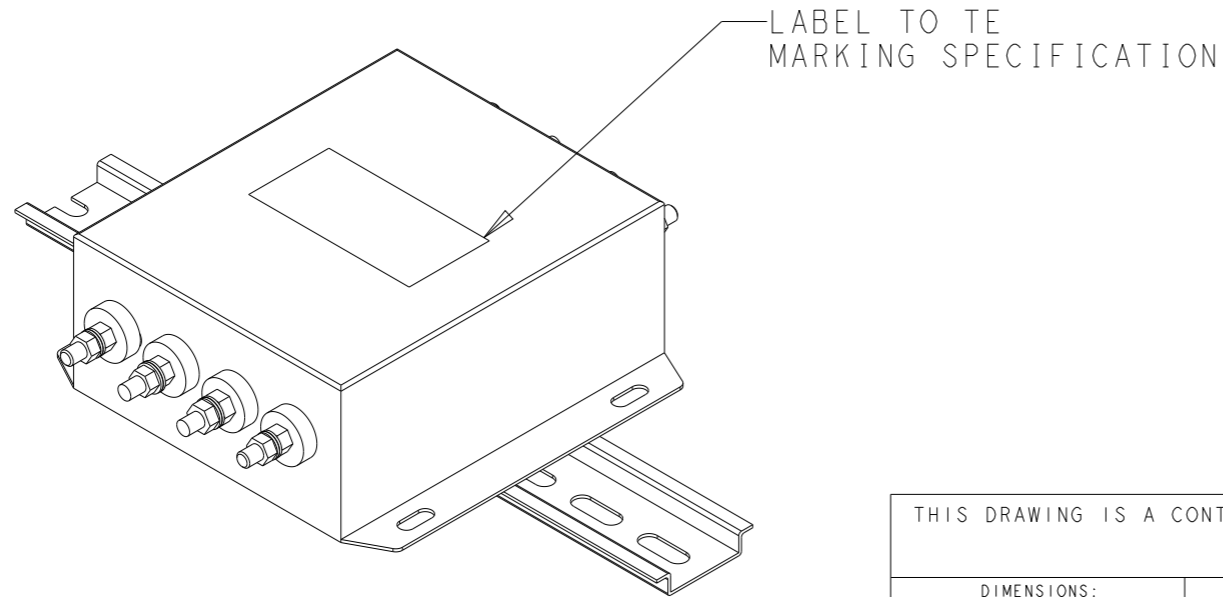
DISCHARGE RESISTOR
 L/G I.R. 680KΩ 1W
 L/L I.R. 2MΩ 1W
 L/N I.R. XXX
 N/G I.R. XXX
 IR (NO DISCHARGE RESISTOR) 20°C, 50% RH AND 100VDC, MIN: 6MΩ

RECOMMENDED RECEIVING INSPECITON HIPOI
 LINE TO GROUND FOR 1 MINUTE: 2856VDC
 LINE TO LINE FOR 1 MINUTE: 2236VDC

FILTER APPROVAL
 THE BEST WAY TO SELECT AND QUALIFY A FILTER IS FOR YOUR ENGINEERING TO TEST THE UNIT IN YOUR EQUIPMENT.

TYPICAL INSERTION LOSS
COMMON MODE 50/50Ω; DIFFERENTIAL MODE 50/50Ω

MHz	0.01	0.05	0.15	0.5	1	3	5	10	30
CM	3	3	10	23	32	34	45	43	30
DM	3	4	8	29	31	36	42	49	49



THIS DRAWING IS A CONTROLLED DOCUMENT.

DIMENSIONS: mm	TOLERANCES UNLESS OTHERWISE SPECIFIED:
	0 PLC ±-
	1 PLC ±0.5
	2 PLC ±0.40
	3 PLC ±0.130
	4 PLC ±0.0500
	ANGLES ±-
MATERIAL	FINISH
-	-
-	-

DWN	05APR2021
SUPREETH R	
CHK	05APR2021
CHRIS BOLLE	
APVD	05APR2021
CHRIS BOLLE	
PRODUCT SPEC	-
APPLICATION SPEC	-
WEIGHT	-
CUSTOMER DRAWING	

TE TE Connectivity

NAME
POWER LINE FILTER FOR
DIN 35 RAIL INSTALLATION
50KEBS6BFPDHM

SIZE	CAGE CODE	DRAWING NO	RESTRICTED TO
A3	00779	C-7-1609965-2	

SCALE 1:2 SHEET 1 OF 2 REV A

© 2021 TE Connectivity. All Rights Reserved.

REVISIONS

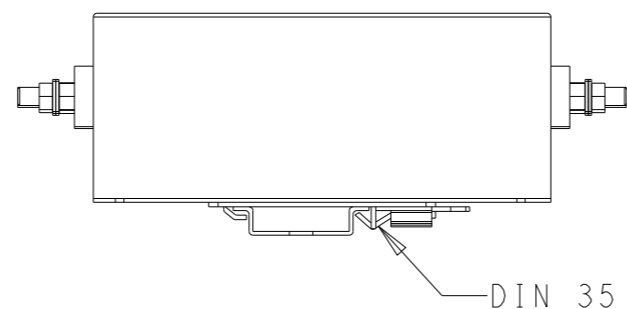
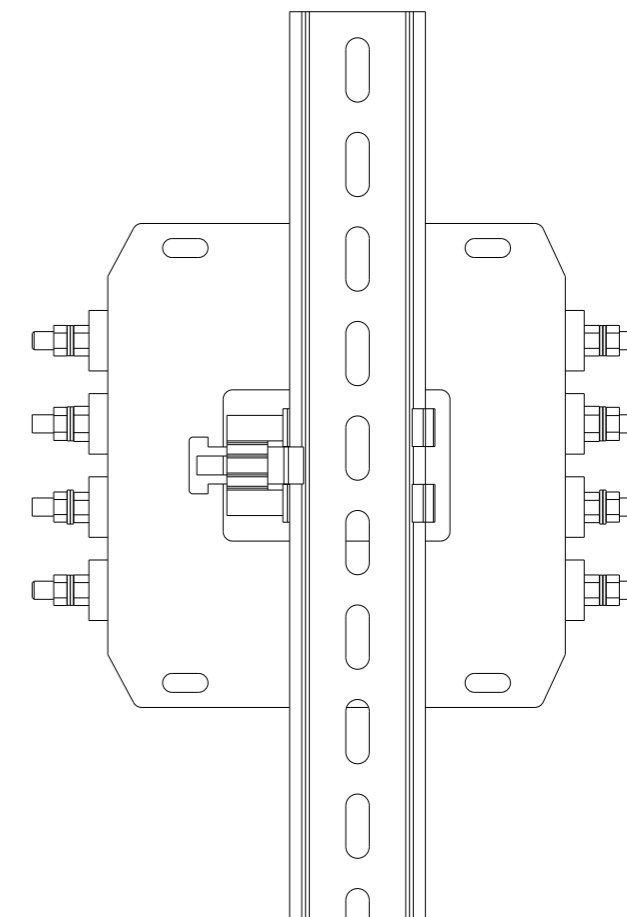
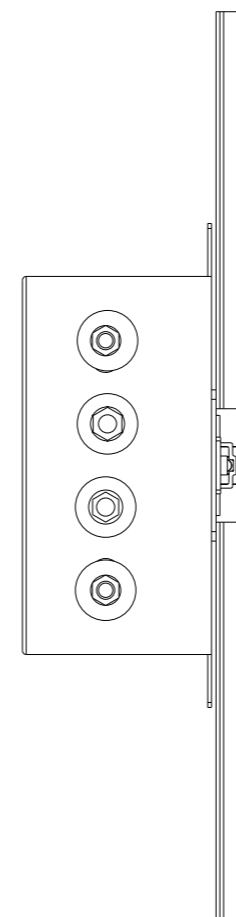
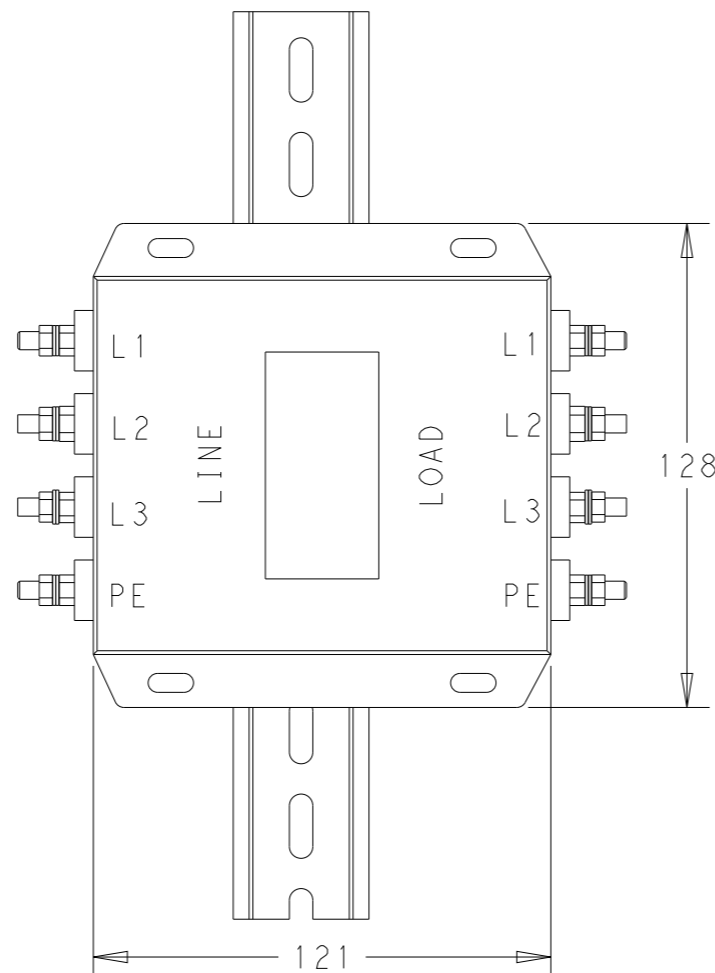
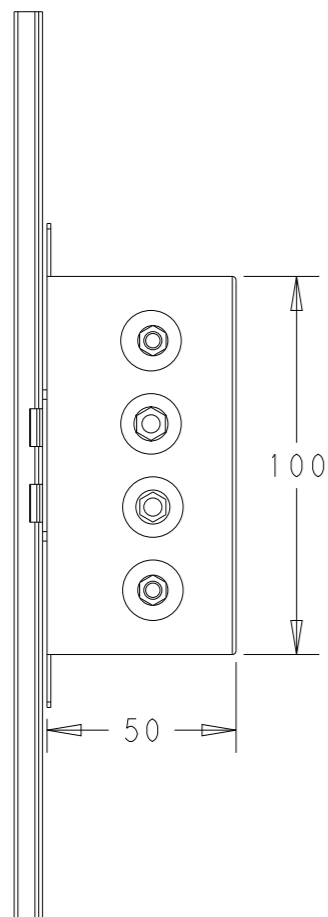
NOTE 1 GROUND CONNECTION:
DO NOT LOOSEN INNER GROUND NUTS.
TORQUE OUTER TERMINAL /GROUND NUTS: 2.5-3 Nm

NOTE 4 DRAWING SHOWS DIN RAIL FOR
REFERENCE ONLY.

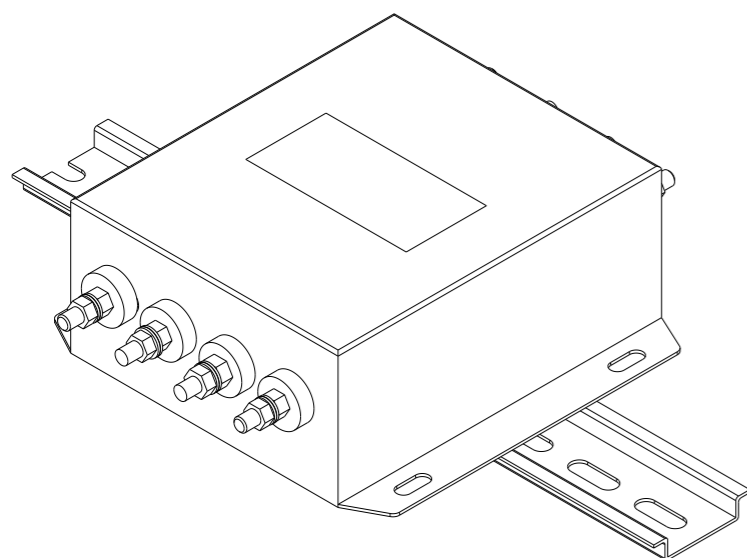
NOTE 2 INPUT OUTPUT CONNECTION TERMINAL
AWG SIZE: XXX
THREADED BOLT SIZE FOR TERMINAL: M6
THREADED BOLT SIZE FOR GROUND: M6

NOTE 3 SUPPLIED WITH DIN RAIL BRACKET

P	LTR	DESCRIPTION	DATE	DWN	APVD
		SEE SHEET 1			



DIN 35



THIS DRAWING IS A CONTROLLED DOCUMENT.

DIMENSIONS:	TOLERANCES UNLESS OTHERWISE SPECIFIED:
mm	
	0 PLC ±-
	1 PLC ±0.5
	2 PLC ±0.40
	3 PLC ±0.130
	4 PLC ±0.0500
	ANGLES ±-
MATERIAL	FINISH
-	-
-	-

DWN	05APR2021
SUPREETH R	
CHK	05APR2021
CHRIS BOLLE	
APVD	05APR2021
CHRIS BOLLE	
PRODUCT SPEC	-
APPLICATION SPEC	-
WEIGHT	-
CUSTOMER DRAWING	

		NAME	
		POWER LINE FILTER FOR DIN 35 RAIL INSTALLATION 50KEBS6BFPDHM	
SIZE	CAGE CODE	DRAWING NO	RESTRICTED TO
A3	00779	C-7-1609965-2	
SCALE		SHEET	REV
1:2		2 OF 2	A